



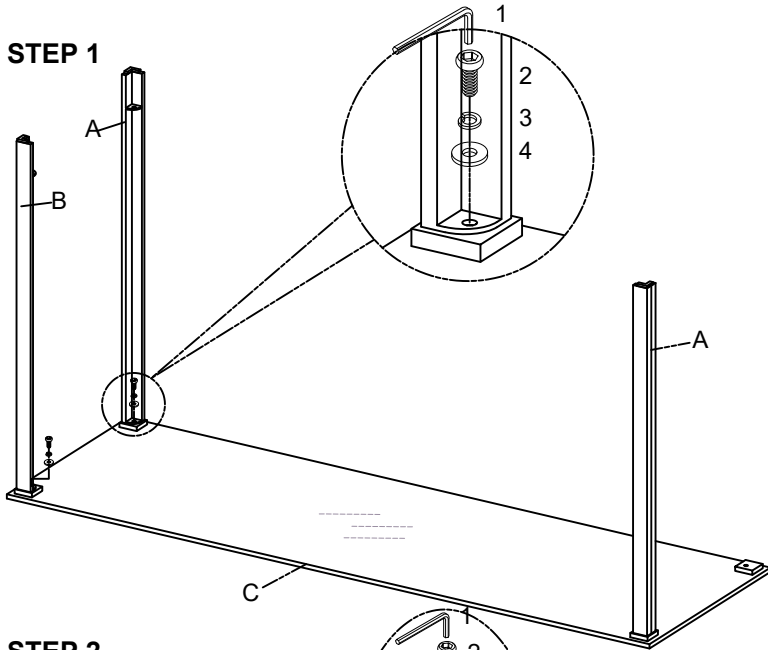
THANK YOU FOR PURCHASING THIS QUALITY PRODUCT.

BE SURE TO CHECK ALL PACKING MATERIAL CAREFULLY FOR SMALL PARTS THAT MAY HAVE COME LOOSE INSIDE THE CARTON DURING TRANSIT.

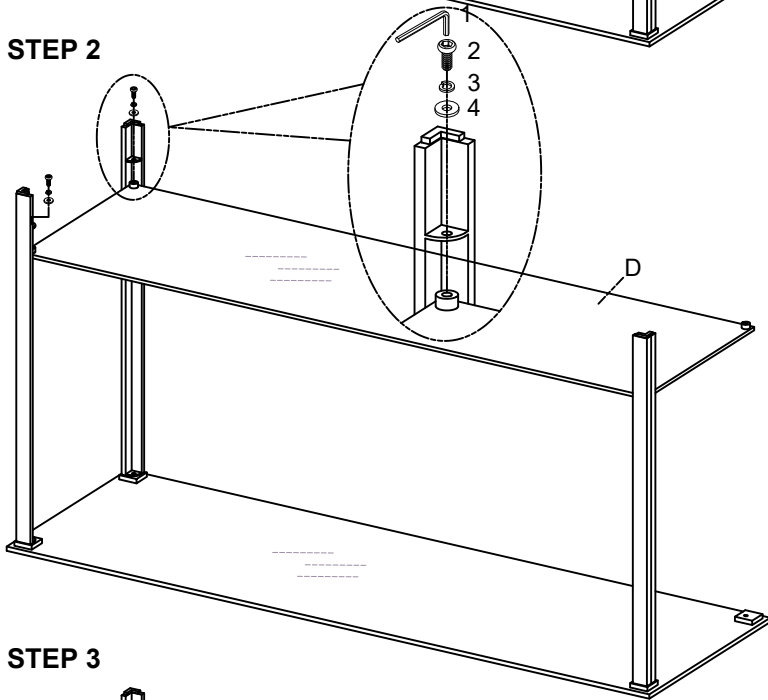
PART LIST

NO	DESC	SIZE (MM)	SKETCH	QTY
A	Metal Leg-L	755x40x40		2 PCS
B	Metal Leg-R	755x40x40		2 PCS
C	Glass Top	1100x350x10		1 PC
D	Glass Shelf Panel	1075x325x8		1 PC

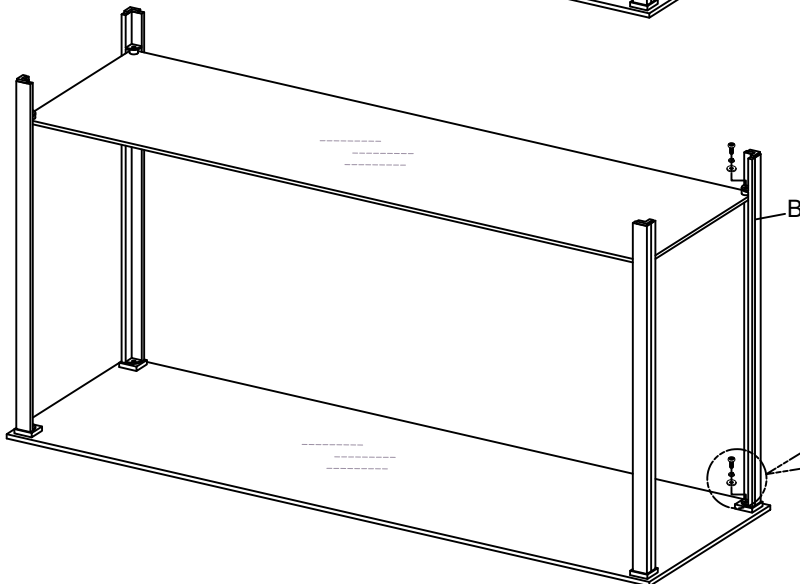
STEP 1



STEP 2



STEP 3



HARDWARE LIST

NO	DESC	SIZE (MM)	SKETCH	QTY
1	Allen Key	M4		1PC
2	Bolt	M6x12.7mm		8PCS
3	Spring Washer	M6		8PCS
4	Flat Washer	M6x16mm		8PCS

FINISHED

