



Chintaly Imports

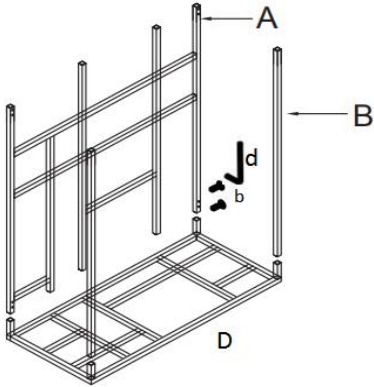
ASSEMBLY INSTRUCTION

ITEM NO.: 5073-CT

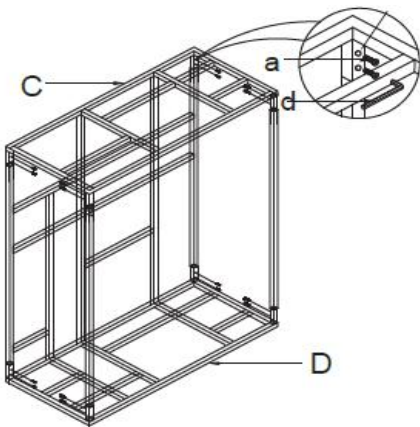
THANK YOU FOR PURCHASING THIS QUALITY PRODUCT.

BE SURE TO CHECK ALL PACKING MATERIAL CAREFULLY FOR SMALL PARTS THAT MAY HAVE COME LOOSE IN SIDE THE CARTON DURING TRANSIT.

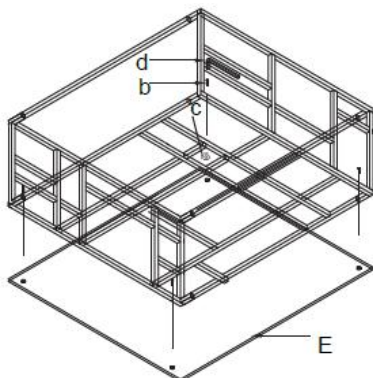
STEP 1: Put the connecting rod and A on the then use b and d to tight up.



STEP 2: Put the screws on the frame(C) and fix them with a wrench, Tight screw 90% only



STEP 3: Put the glass on soft carpet and put the washer and Long screw on frame hole with aluminium puck and tight the all screws 100%



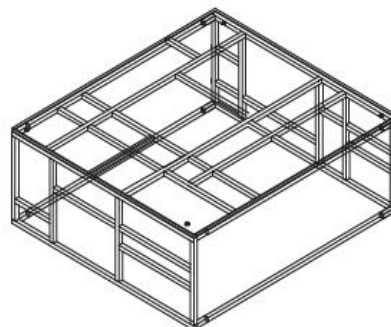
PART LIST

NO.	DESC	SIZE(CM)	SKETCH	QTY
A	frame	100*100		1PC
B	connecting rod	100*100		2PCS
C	frame	100*40.5		1PC
D	frame	100*40.5		1PC
E	Glass	100*100		1PC

HARD WARE LIST

NO.	DESC	SIZE(CM)	SKETCH	QTY
a	screws	6*12		16PCS
b	Long screw	6*25		4PCS
c	washer	6*14		4PCS
d	wrench	M4		1PC

STEP 4: Assembly complete



MADE IN CHINA