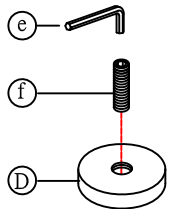




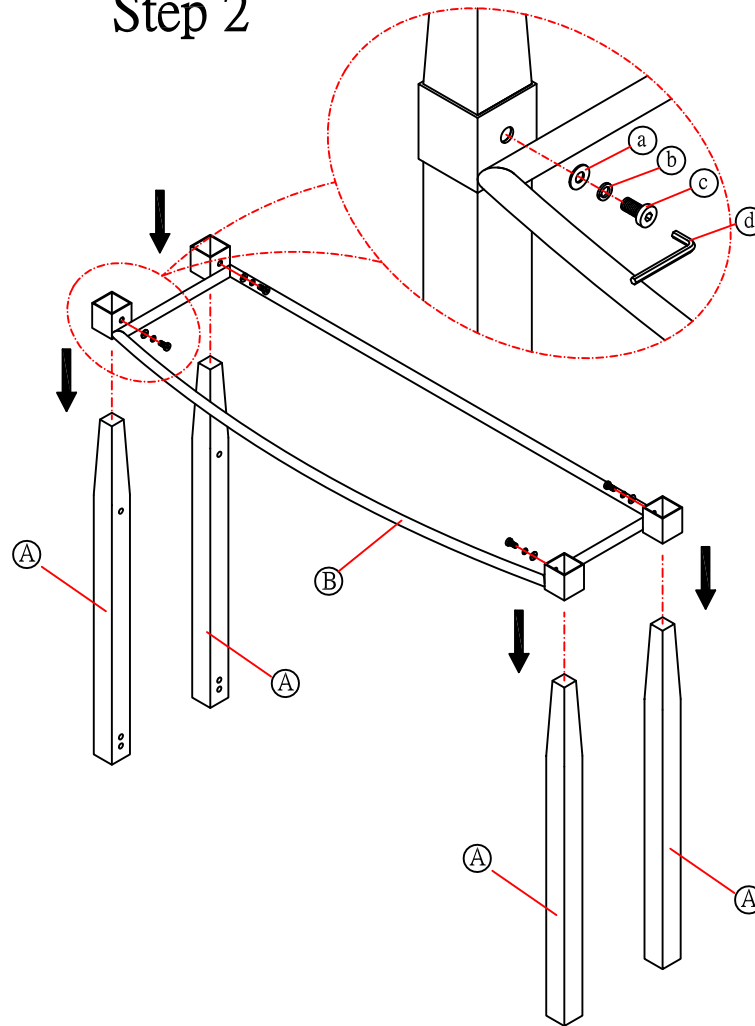
THANK YOU FOR PURCHASING THIS QUALITY PRODUCT.

BE SURE TO CHECK ALL PACKING MATERIAL CAREFULLY FOR SMALL PARTS THAT MAY HAVE COME LOOSE INSIDE THE CARTON DURING TRANSIT.

### Step 1



### Step 2



Assemble the stretch , fasten the screws 80% tight.

### PARTS LIST:

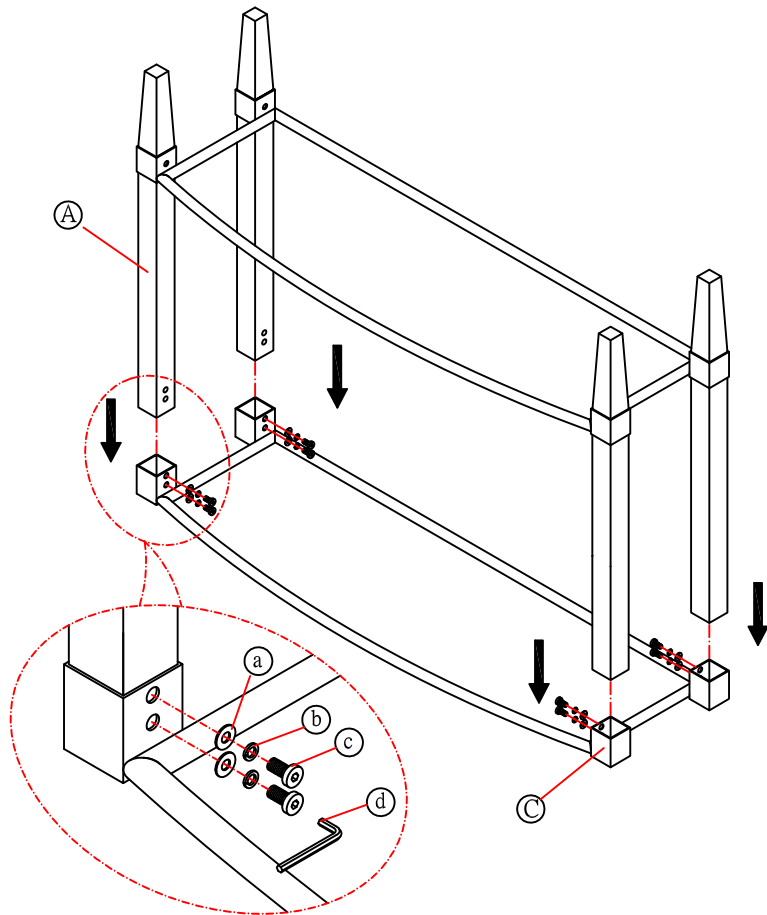
NO	DESCRIPTION	SIZE(mm)	SKETCH	QTY
A	POLE	45*45*727		4PCS
B	FRAME	1200*360		1PC
C	STRECTH	1200*360		1PC
D	PUCK	∅38*12		4PCS

### HARDWARE LIST:

NO	DESCRIPTION	SIZE(mm)	SKETCH	QTY
a	WASHER	∅8.5		12PCS
b	SPRING WASHER	∅8.5		12PCS
c	BOLT	M8x18		12PCS
d	ALLEN KEY	5		1PC
e	ALLEN KEY	3		1PC
f	SHORT SCREW	1/4"*20		4PCS

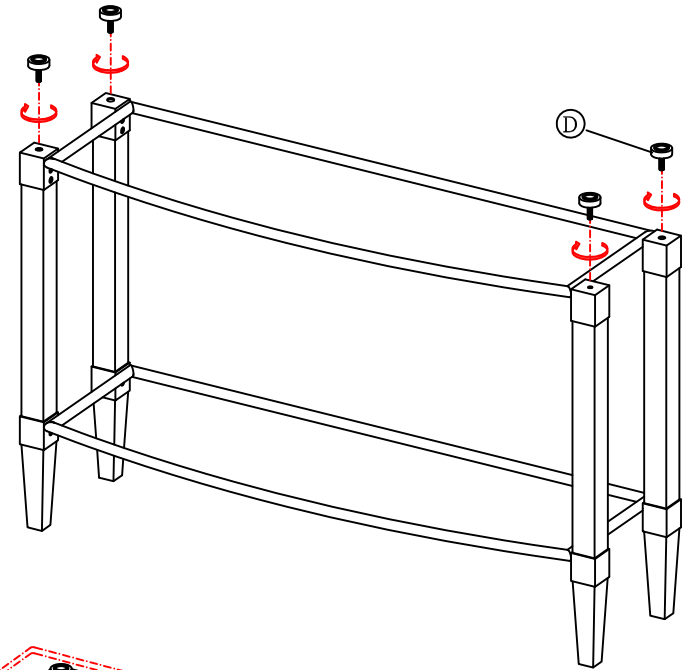


### Step 3



Assemble the frame , and tighten the screw of stretch .

### Step 4



FINISH

