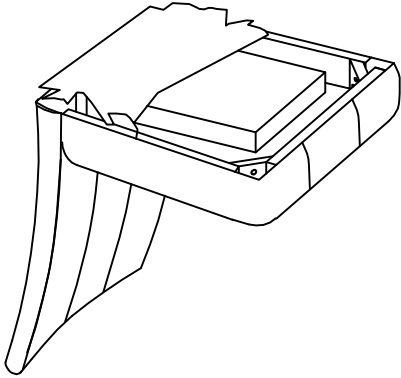




THANK YOU FOR PURCHASING THIS QUALITY PRODUCT.

BE SURE TO CHECK ALL PACKING MATERIAL CAREFULLY FOR SMALL PARTS THAT MAY HAVE COME LOOSE INSIDE THE CARTON DURING TRANSIT.

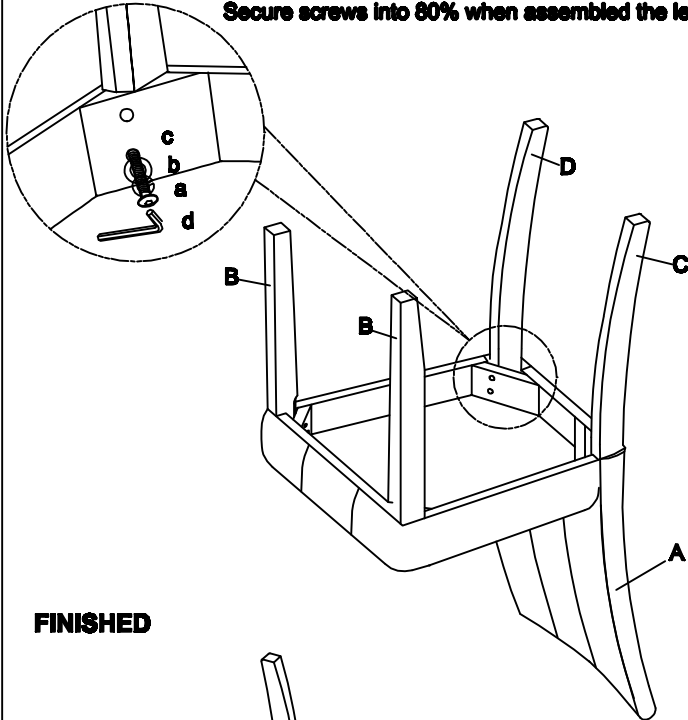
STEP 1



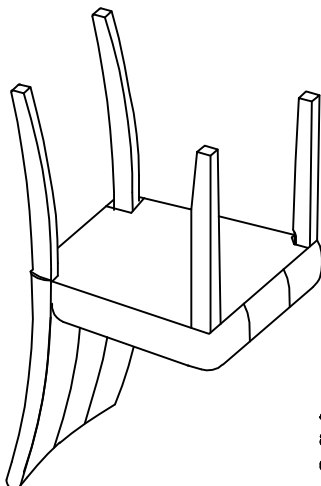
* Please note: remove acrylic legs from the velcro compartment underneath the chair to assemble the unit

STEP 2

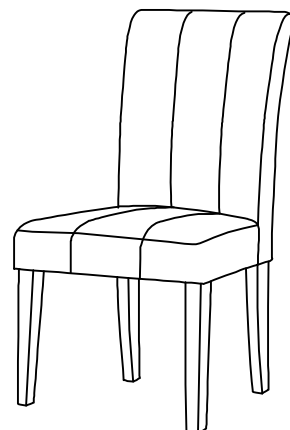
Secure screws into 80% when assembled the legs.



FINISHED



Adjust the product leveled on the ground after upside down, then tighten all screws completely.



PART LIST

NO	DESC	SIZE (MM)	SKETCH	QTY
A	Seat	500x500x625mm		1 PC
B	Front Leg	430x40x40mm		2 PCS
C	Back Leg (L)	424x30x45mm		1 PC
D	Back Leg (R)	424x30x45mm		1 PC

HARDWARE LIST

NO	DESC	SIZE (MM)	SKETCH	QTY
a	Bolt	8x63.5mm		8PCS
b	Spring Washer	8mm		8PCS
c	Flat Washer	8x22mm		8PCS
d	Allen Key	5mm		1PC