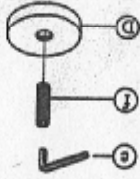


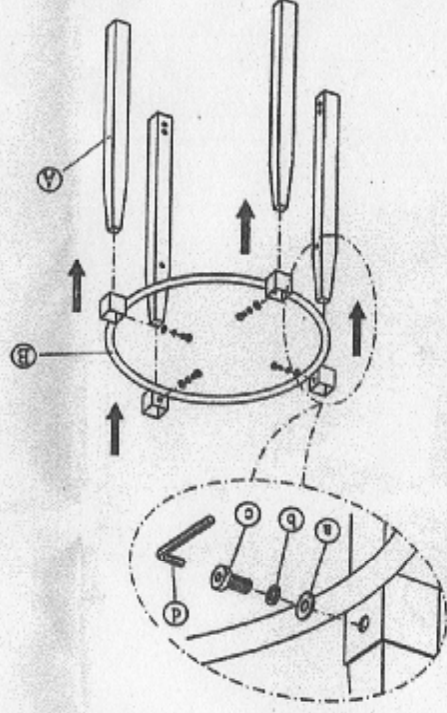


THANK YOU FOR PURCHASING THIS QUALITY PRODUCT.  
BE SURE TO CHECK ALL PACKING MATERIAL CAREFULLY FOR SMALL PARTS THAT MAY HAVE COME LOOSE INSIDE THE CARTON  
DURING TRANSIT.

Step 1



Step 2



Assemble the stretch, fasten the screws 80% tight.

PARTS LIST:

NO	DESCRIPTION	SIZE(mm)	SKETCH	QTY
A	POLE	33*33		4PCS
B	FRAME	540*540		1PC
C	STRETCH-	540*540		1PC
D	PUCK	∅38*12		4PCS

HARDWARE LIST:

NO	DESCRIPTION	SIZE(mm)	SKETCH	QTY
a	WASHER	∅6.5		12PCS
b	SPRING WASHER	∅6.5		12PCS
c	BOLT	1/4"x18		12PCS
d	ALLEN KEY	4		1PC
e	ALLEN KEY	3		1PC
f	SHORT SCREW	1/4"*20		4PCS

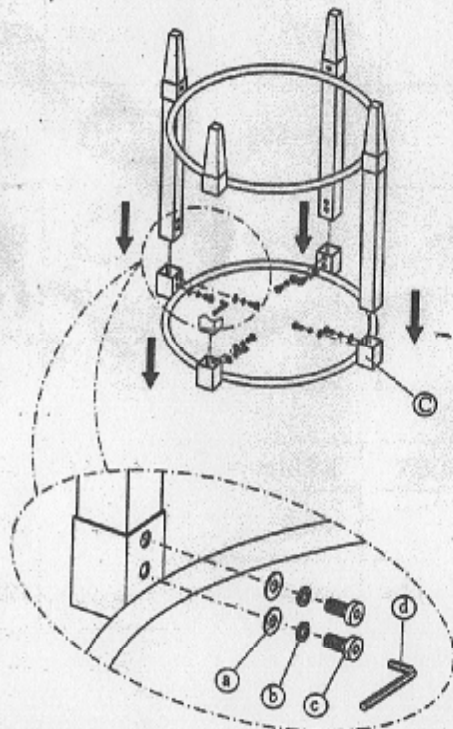




Chintaly Imports

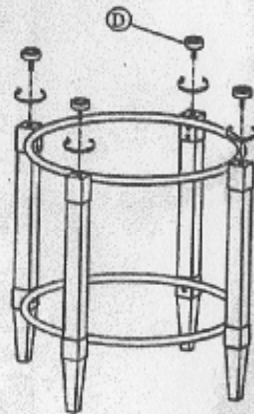
ASSEMBLY INSTRUCTION  
ITEM NO.: 4038-LT

Step 3



Assemble the frame , and tighten  
the screw of stretch .

Step 4



FINISH

