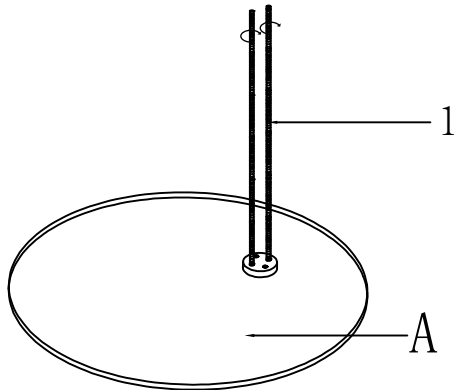


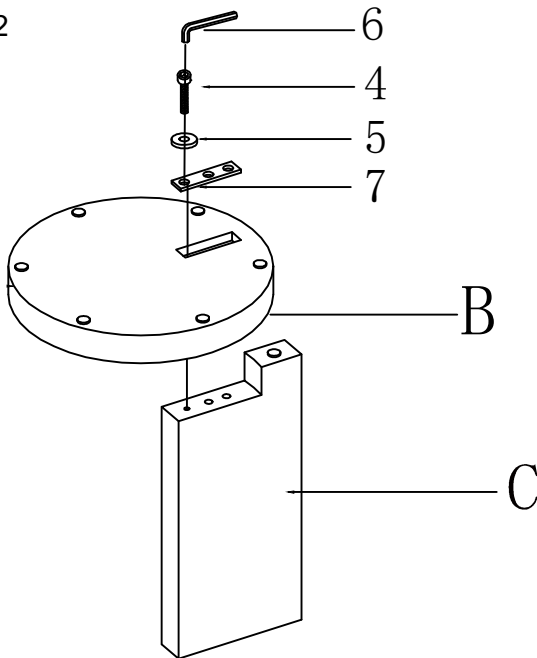


THANK YOU FOR PURCHASING THIS QUALITY PRODUCT.
BE SURE TO CHECK ALL PACKING MATERIAL CAREFULLY FOR SMALL PARTS THAT MAY HAVE COME LOOSE
INSIDE THE CARTON DURING TRANSIT.

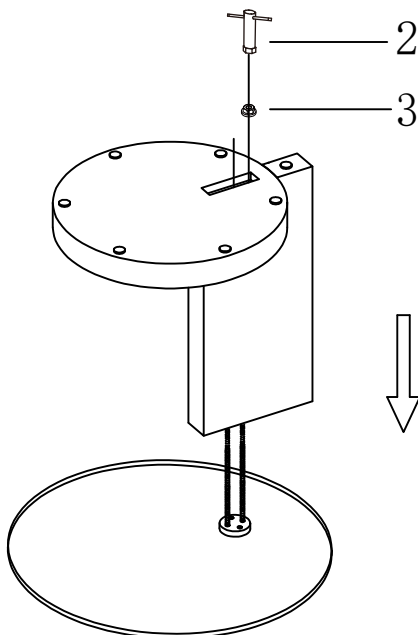
STEP1 REVOLVE THE LONG BOLT(a) TO THE TOP



STEP2



STEP3



PART LIST

NO	DESC	SIZE (MM)	SKETCH	QTY
A	TOP	Φ 600		1PC
B	BASE	Φ 405		1PC
C	PILLAR	220*475*50		1PC

HARDWARE LIST

NO	DESC	SIZE (MM)	SKETCH	QTY
1	BOLT	M8*480		2PCS
2	SOCKET WRENCH	M8		1PC
3	SCREW	M8		2PCS
4	SCREW	M8*50		1PC
5	FLAT WASHER	Φ 18*Φ 8*1.5		3PCS
6	ALLENKEY	6mm		1PC
7	Metal Flat	97*25*5mm		1PC

FINIHSED

