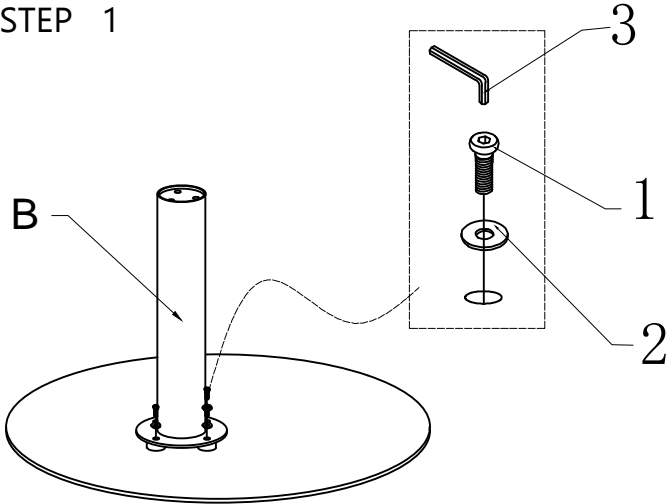


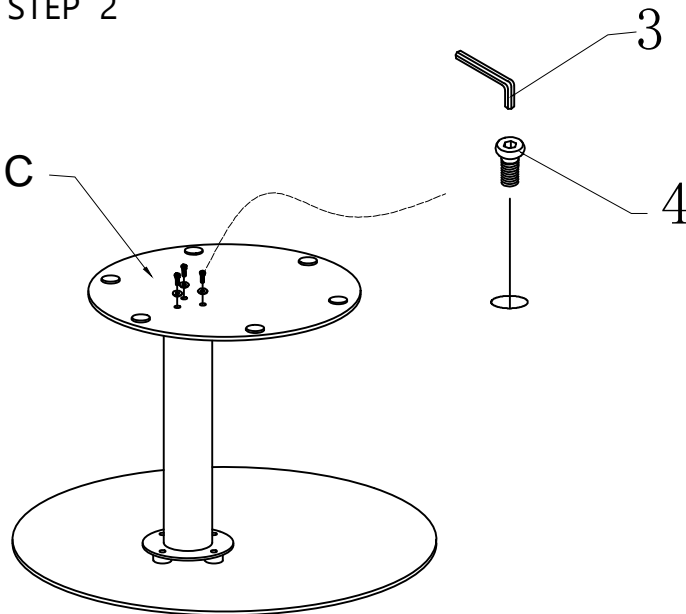


THANK YOU FOR PURCHASING THIS QUALITY  
PRODUCT. BE SURE TO CHECK ALL PACKING MATERIAL CAREFULLY FOR SMALL PARTS THAT MAY HAVE COME  
LOOSE INSIDE THE CARTON DURING TRANSIT.

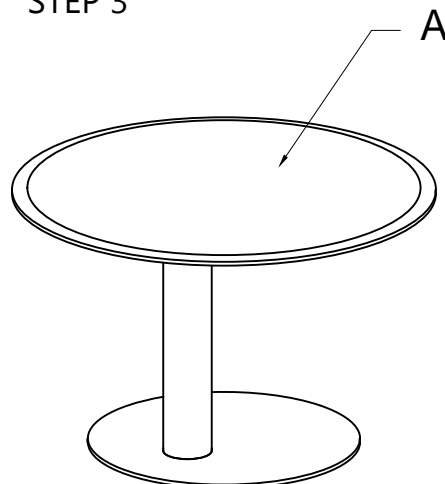
STEP 1



STEP 2



STEP 3



PART LIST

NO	DESC	SIZE (MM)	SKETCH	QTY
A		700X700X10		1PC
B		419X150X150		1 PC
C		450X450X6		1PC

HARDWARE LIST

NO	DESC	SIZE(MM)	SKETCH	QTY
1	BOLT	M8x20		4PCS
2	FLAT WASHER	ø8.3		4PCS
3	SPANNER	5MM		1PC
4	BOLT	M8x12		3PCS