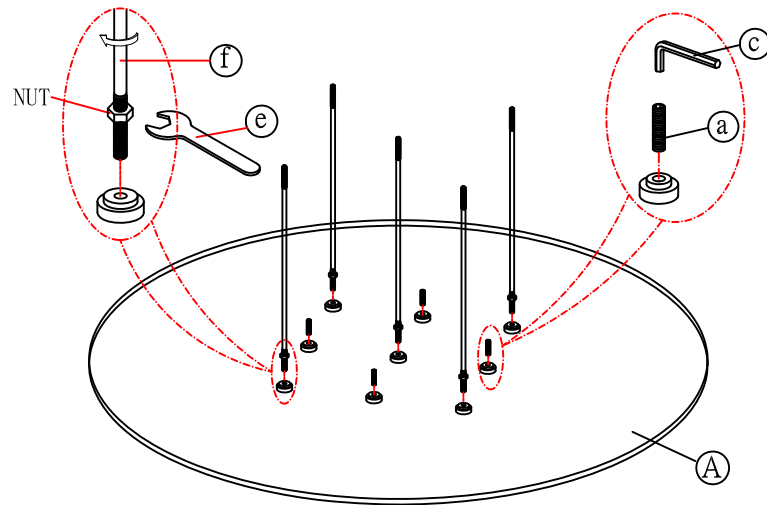




THANK YOU FOR PURCHASING THIS QUALITY PRODUCT.  
BE SURE TO CHECK ALL PACKING MATERIAL CAREFULLY FOR SMALL PARTS THAT MAY HAVE COME LOOSE INSIDE THE CARTON DURING TRANSIT.

### Step 1



#### HARDWARE LIST:

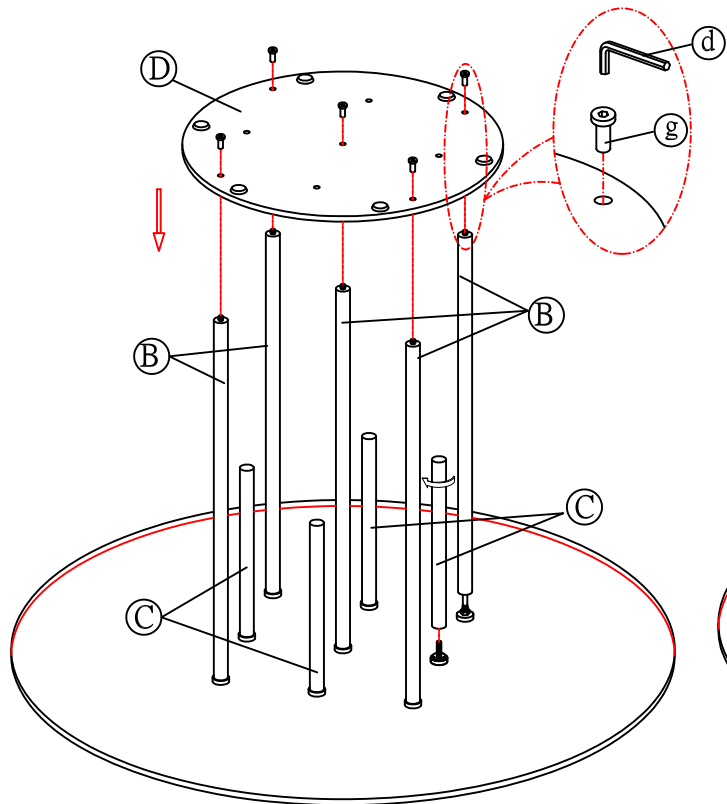
NO	DESCRIPTION	SIZE(mm)	SKETCH	QTY
a	SHORT SCREW	M8x25		4PCS
b	BOLT	M8x25		4PCS
c	ALLEN KEY	4		1PC
d	ALLEN KEY	5		1PC
e	WRENCH	14		1PC
f	BOLT ( NUT PREASSEMBLED)	M8x730		5PCS
g	NUT	M8xφ10		5PCS

#### PARTS LIST:

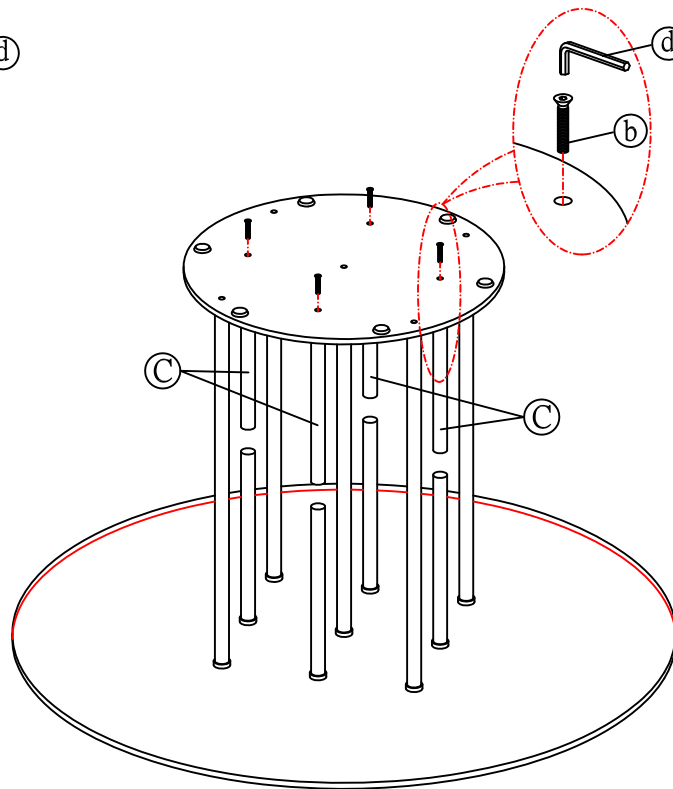
NO	DESCRIPTION	SIZE(mm)	SKETCH	QTY
A	GLASS TOP	φ1220xt12		1PC
B	POLE	φ25.4x730		5PCS
C	CONNECTING PIPE	φ25.4x340		8PCS
D	BASE	φ580xt10		1PC



Step 3



Step 4



FINISH

