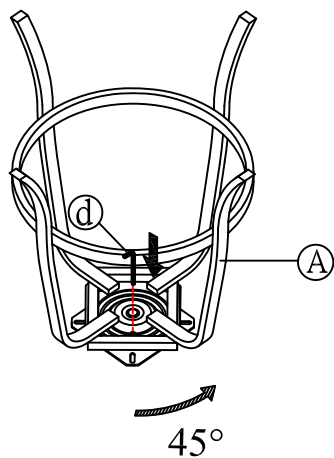
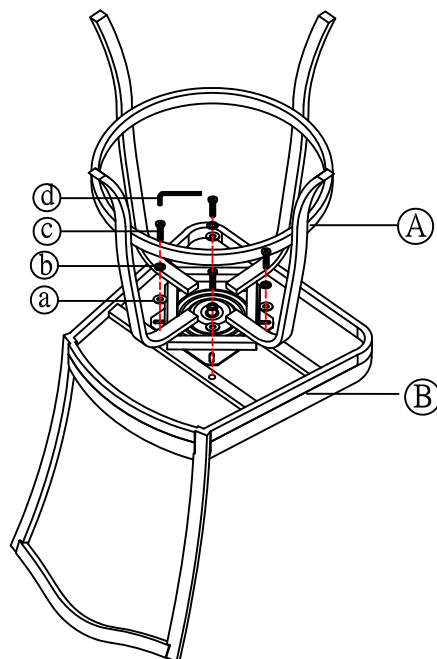




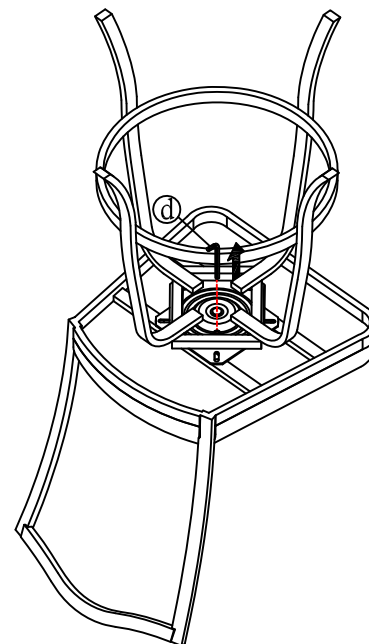
Step 1



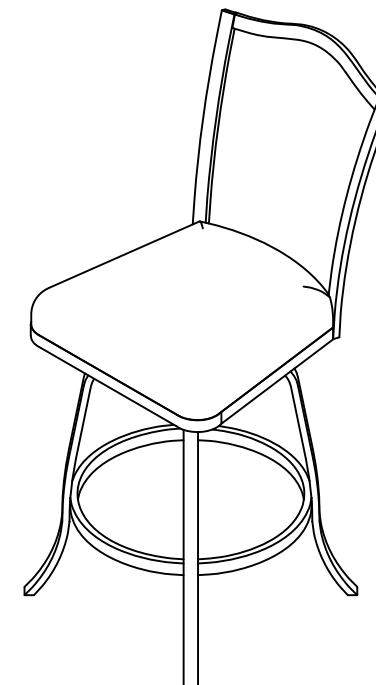
Step 2



Step 3



FINISH



PARTS LIST:

NO	DESCRIPTION	SKETCH	QTY
A	BASE		1PC
B	BUCKET		1PC

HARDWARE LIST:

NO	DESCRIPTION	SKETCH	QTY
a	WASHER		4PCS
b	SPRING WASHER		4PCS
c	BOLT		4PCS
d	ALLEN KEY		2PCS