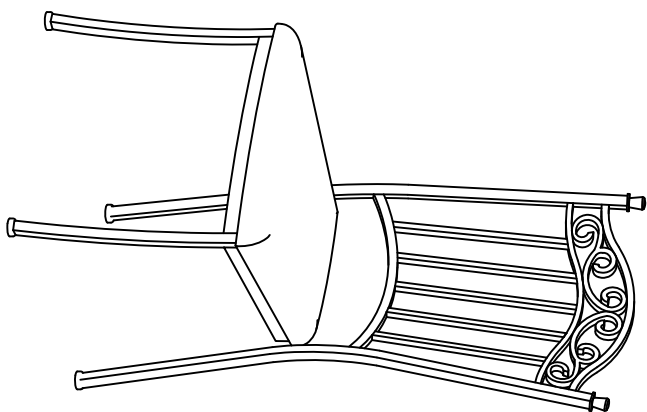
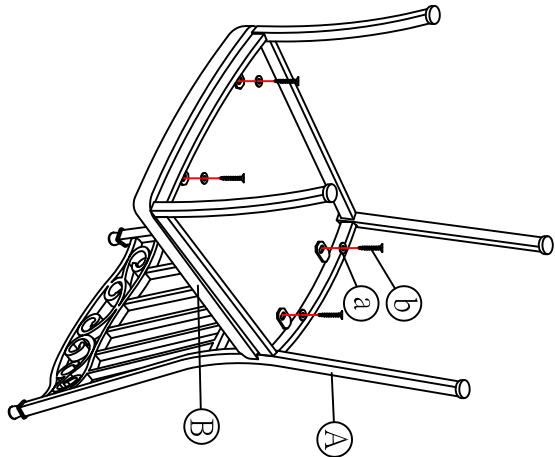


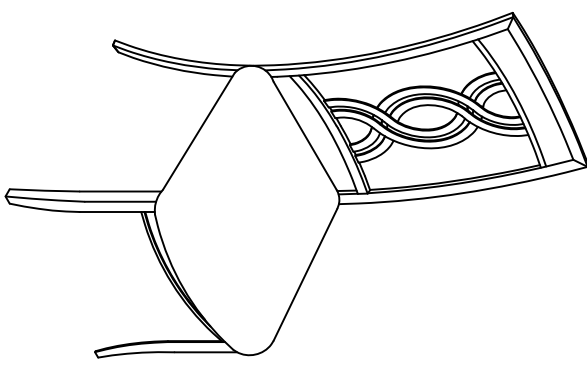


Step 1

FINISH



0710-SC



ANGELINA-SC

PARTS LIST:

NO	DESCRIPTION	SKETCH	QTY
A	CHAIR		1PC
B	SEAT BOARD		1PC

HARDWARE LIST:

NO	DESCRIPTION	SKETCH	QTY
a	WASHER		4PCS
b	WOOD SCREW		4PCS