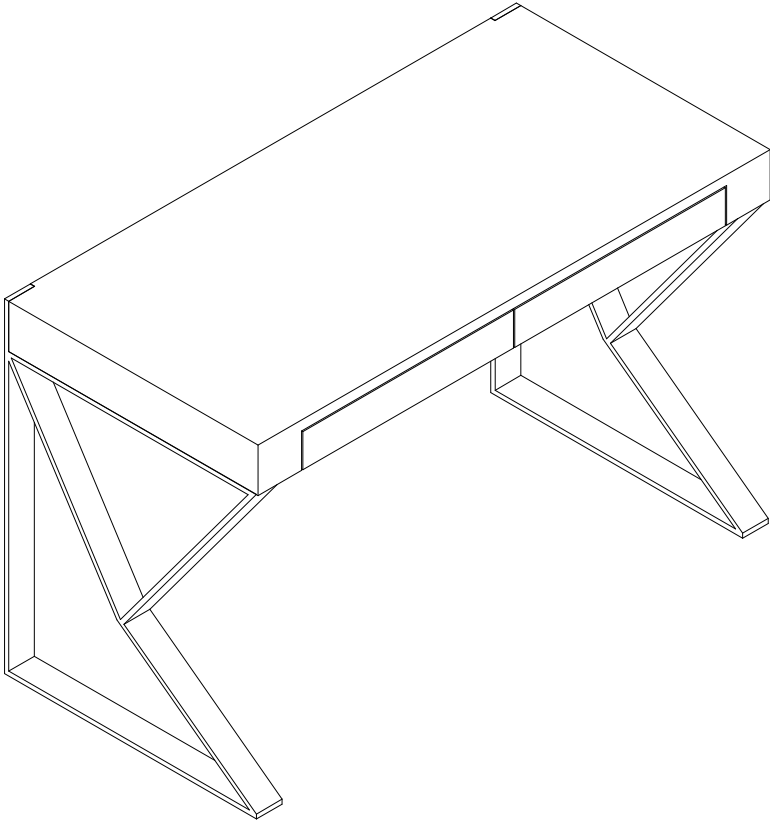
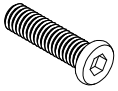
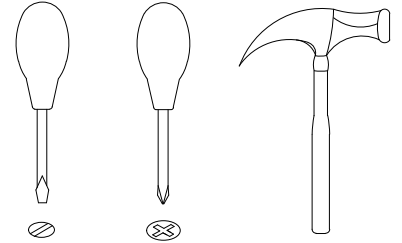
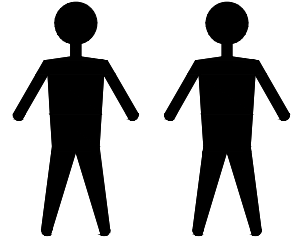


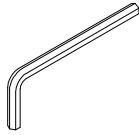
CPM5007-HA



CPM5007-HA



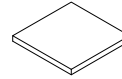
A x16
Spec: 5/16*L30



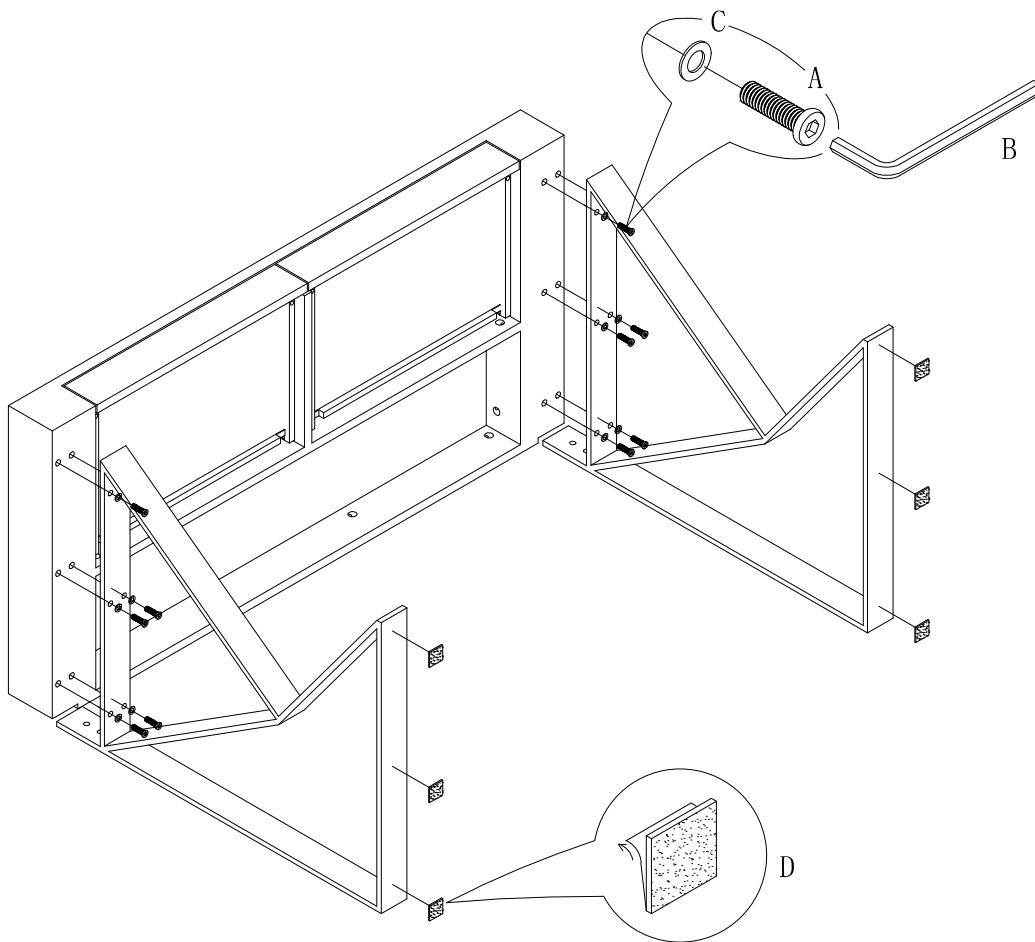
B x1
Spec: 5#



C x16
Spec: $\phi 8 * \phi 14$



D x6
Spec: 38*38



1

2

