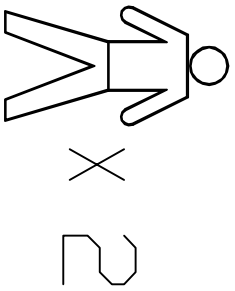
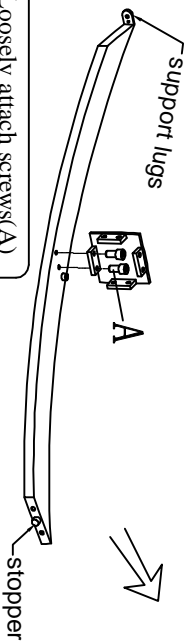


ASSEMBLY INSTRUCTION

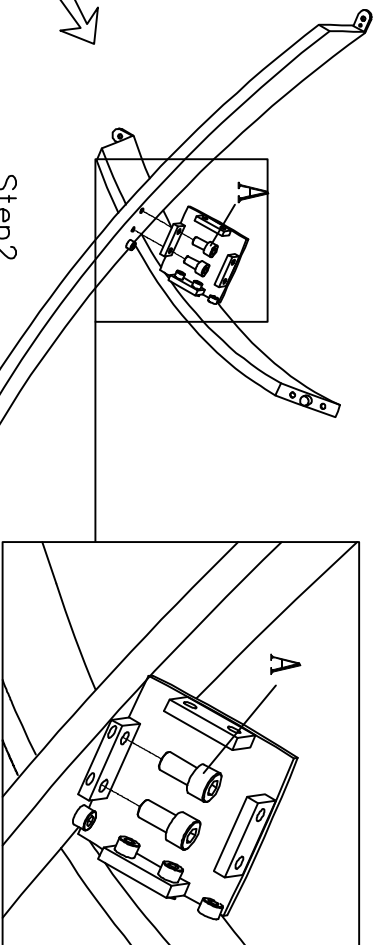


Loosely attach screws(A) to middle metal plate of legs.

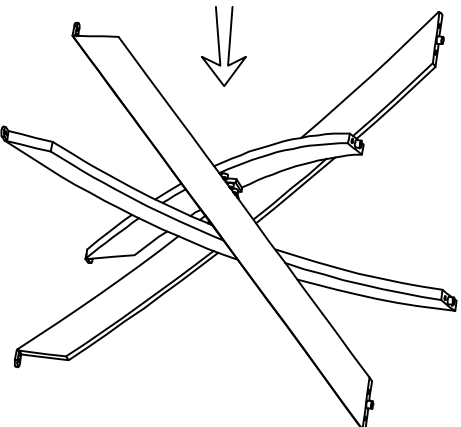
Step1



Step2

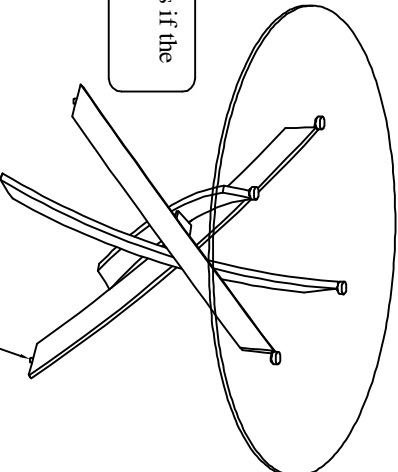


Step3

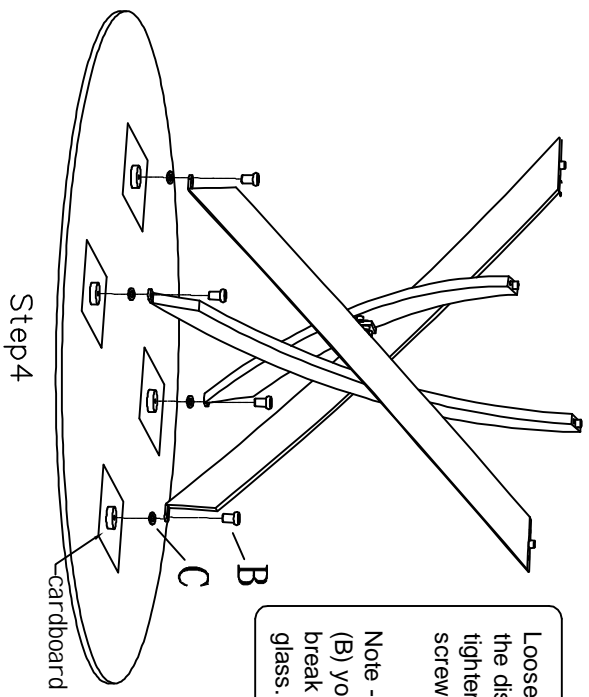


Loosely attach screws(B) to the disks on the glass, and then tighten screws(A). Finally, tighten screw (B).
 Note -Do not over tighten screws (B) you may strip the thread or break the disk away from the glass.

Adjust the stoppers if the table is not stable



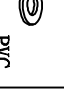




Stopper adjustable Steps5



Step4

FITTING PARTS LIST

A	B	C	D	E
				
8 PCS	4 PCS	4 PCS	1 PC	1 PC
M8x16	M8x12	PVC		