

ASSEMBLY INSTRUCTIONS

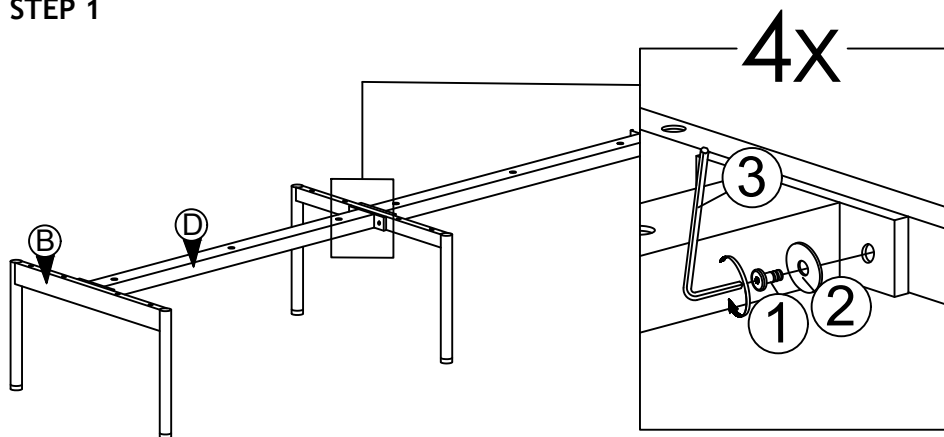
Read this instruction carefully. Refer hardware and furniture parts list for guidance. Be sure all parts are complete, before assembling. Place all wooden furniture part on a clean and flat soft surface to prevent scratches. Refer steps provided as assembling guide.

PART LIST			HARDWARE LIST		
ITEM	DESCRIPTION	QTY	ITEM	DESCRIPTION	QTY
A	SIDEBOARD	1 PC	1	JCBC SCREW M6 x 10MM (BLK)	8 PCS
B	METAL LEG	2 PCS	2	FLAT WASHER 1/4" (BLK)	4 PCS
C	CENTER METAL LEG	1 PC	3	M4 ALLEN KEY (BALL SHAPE) LONG	1 PC
D	METAL LEG SUPPORT	2 PCS	4	PAN HEAD SCREW M4 x 25MM	6 PCS
			5	PAN HEAD SCREW M5 x 38MM	12 PCS

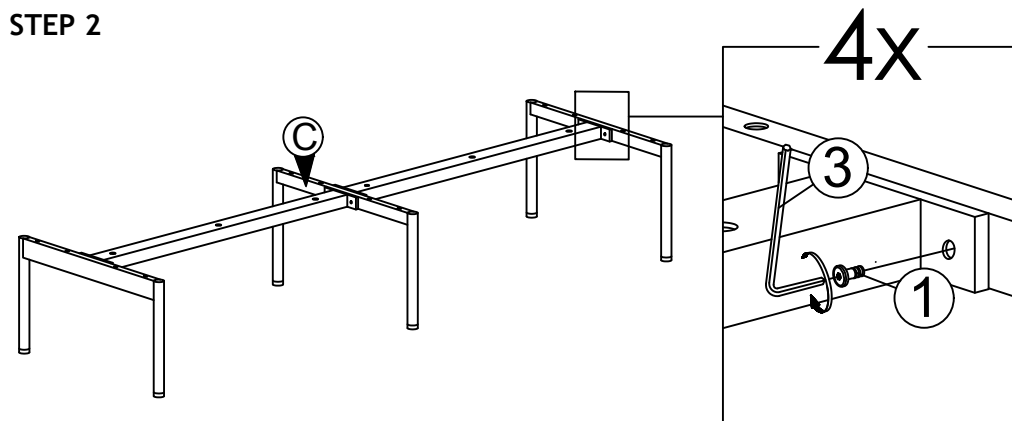
CAUTIONS :

1. Do not **FULLY-TIGHTEN** the nuts or nut bolts until all are in place.
2. To prevent thread damage. Ensure that nuts or nut bolts are not over-tighten.
3. Hardware are to be kept out of reach from children.

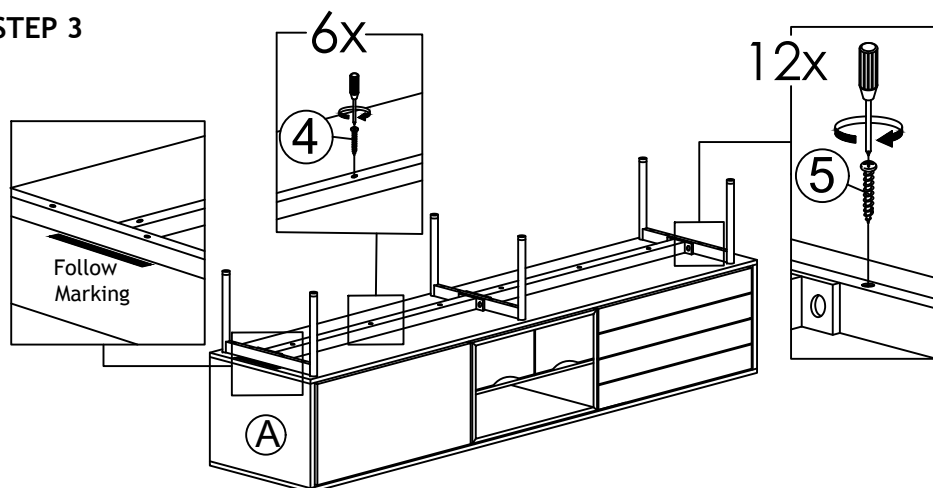
STEP 1



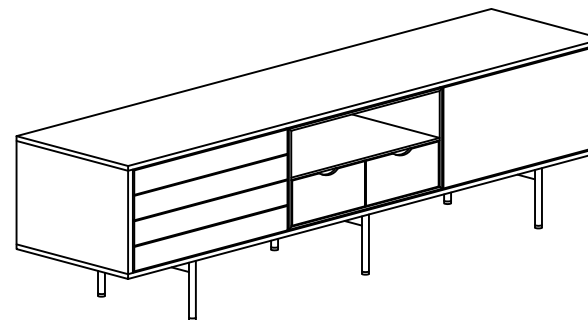
STEP 2



STEP 3



STEP 4



ASSEMBLY COMPLETED