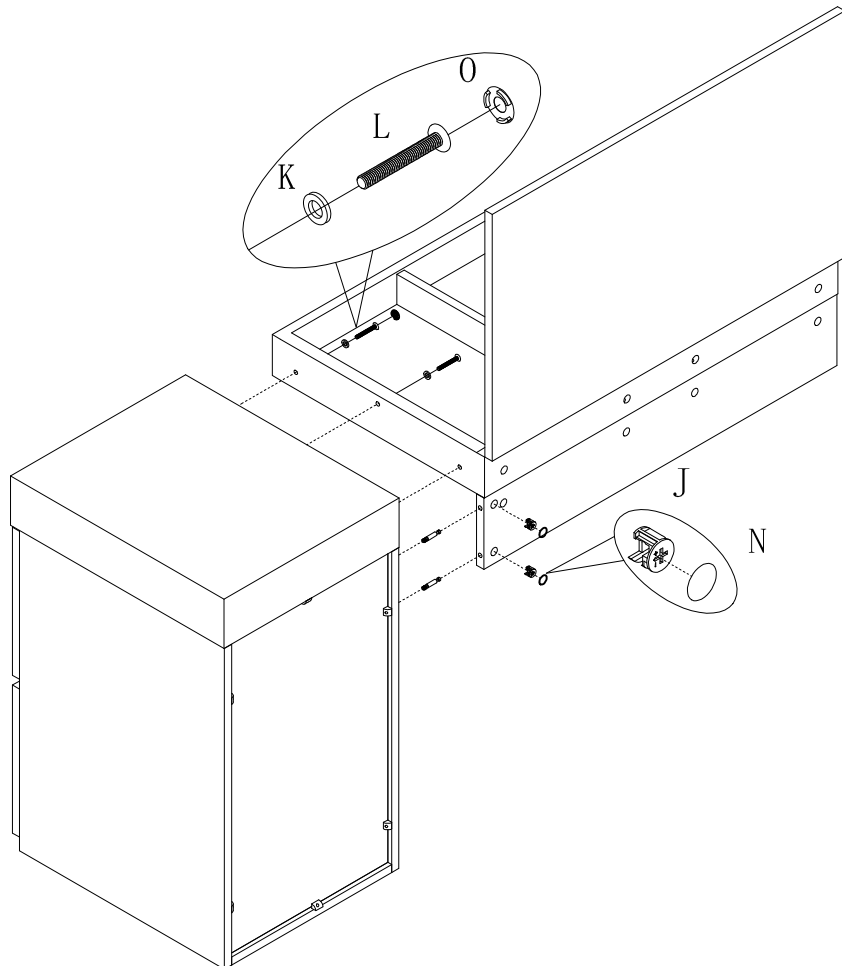
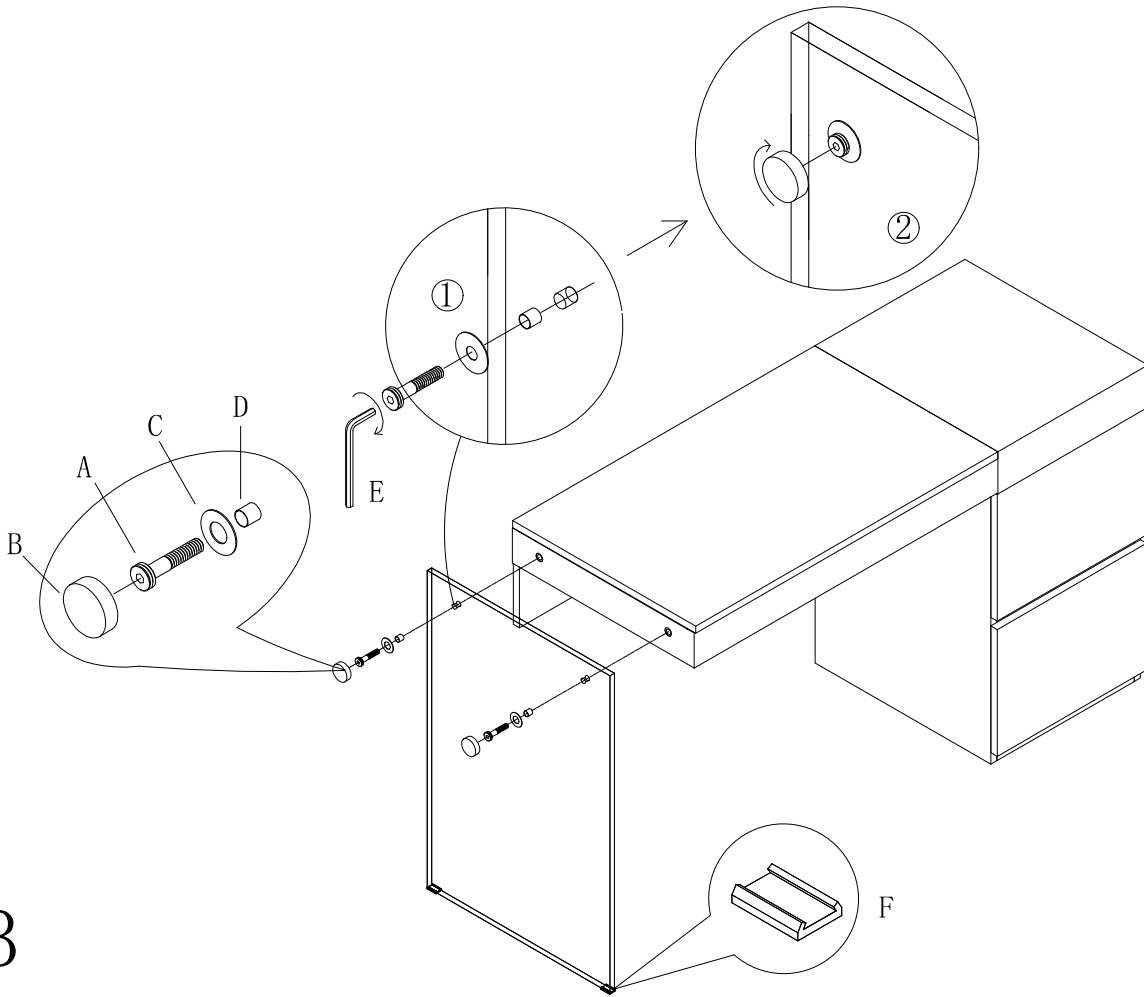


1

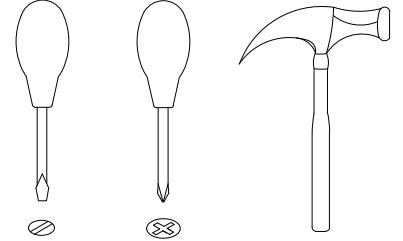
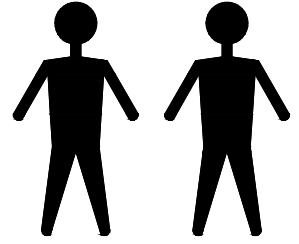
2



3



CP1110C15-HA



A x2
Spec:



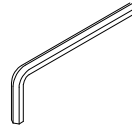
B x2
Spec:



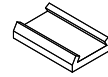
C x2
Spec:



D x2
Spec:



E x1
Spec: 5#



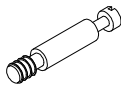
F x2
Spec:



G x1
Spec: 10g



H x4
Spec: $\varnothing 8 \times 30$



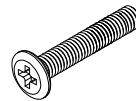
I x2
Spec: $\varnothing 7 \times L30$



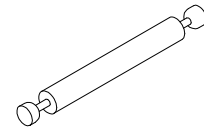
J x10
Spec: $\varnothing 15 \times H12$



K x3
Spec: $\varnothing 8 \times \varnothing 14$



L x3
Spec: M6*40



M x4
Spec: $\varnothing 7 \times L66$



N x10
Spec:



O x3
Spec:

CP1110C15-HA

