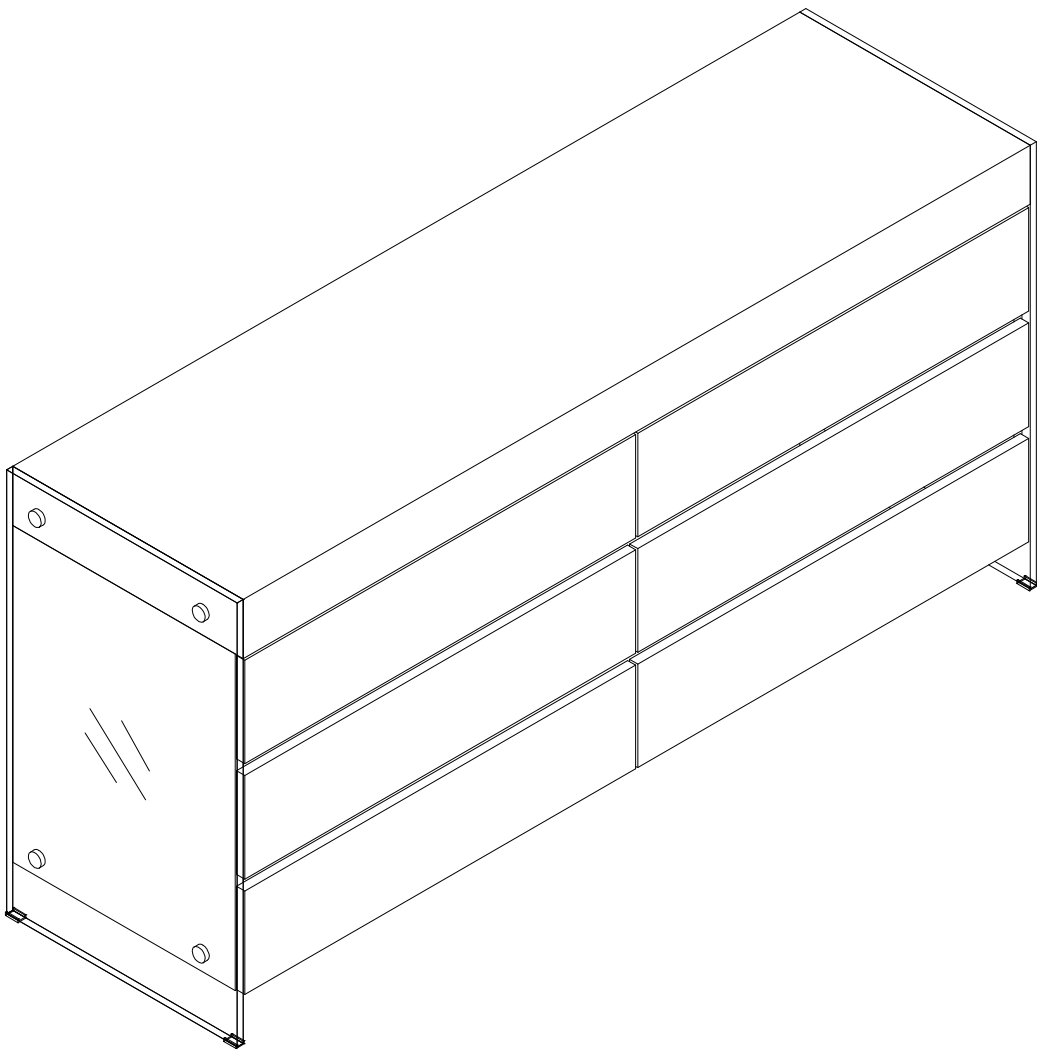
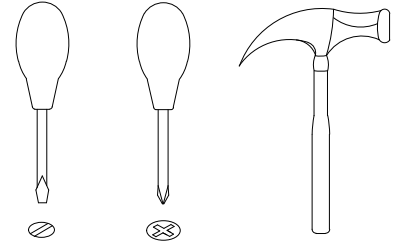
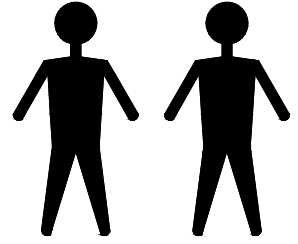


CP1110C3-HA



CP1110C3-HA



A x8
Spec:



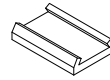
B x8
Spec:



C x8
Spec:



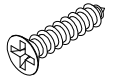
D x1
Spec: 5#



E x4
Spec:



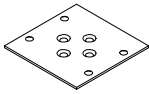
F x8
Spec:



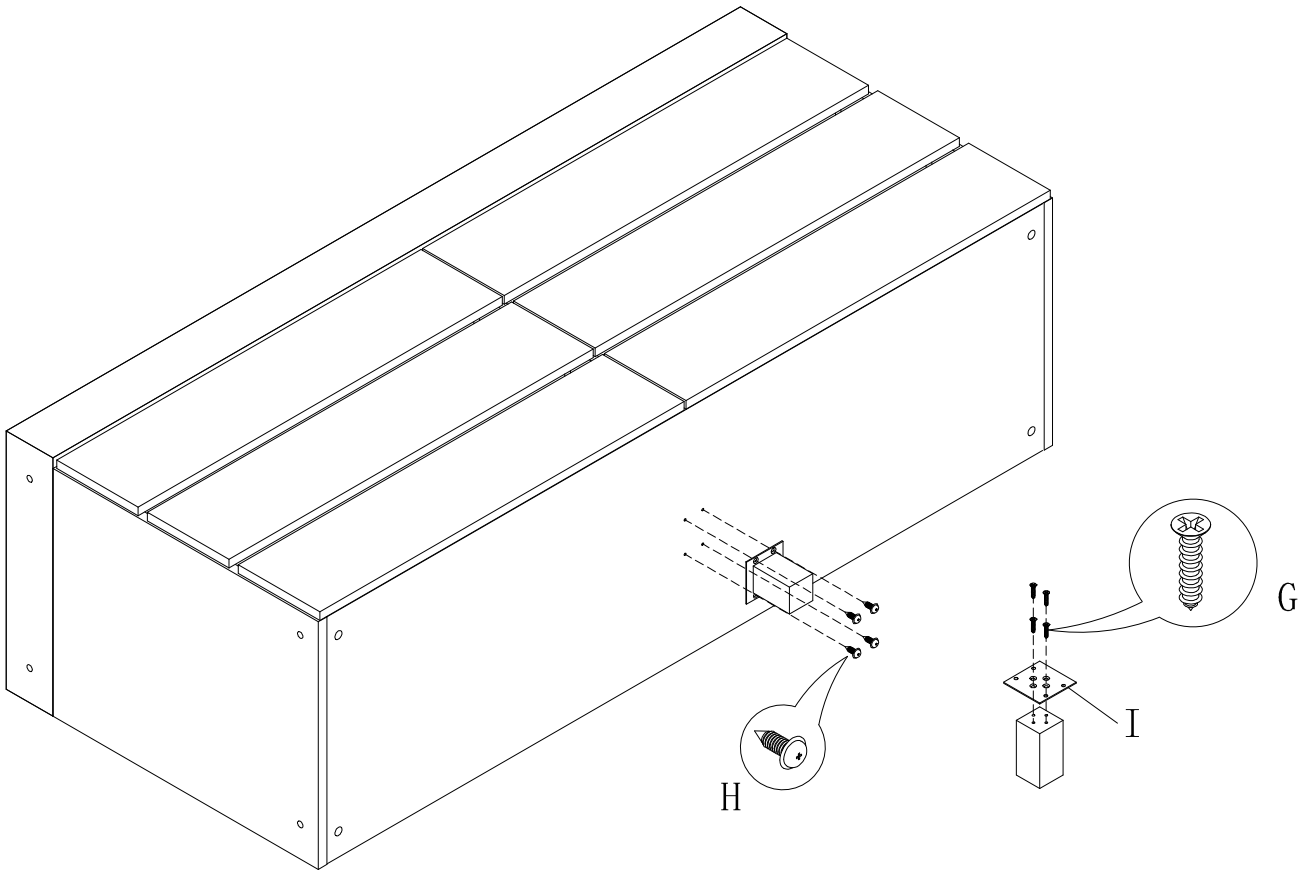
G x4
Spec: $\phi 3.8 * L20$



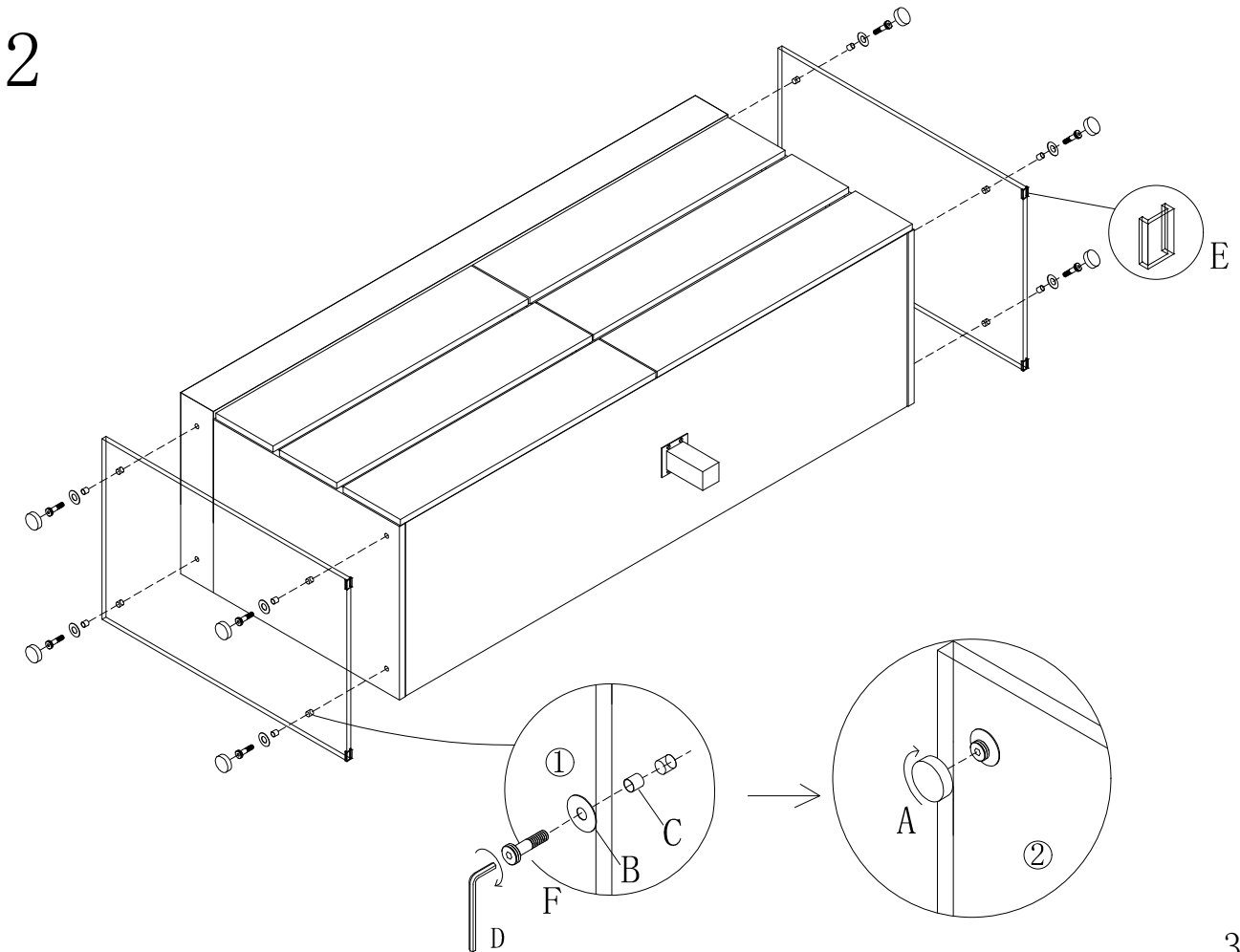
H x4
Spec: $\phi 4 * L16$



I x1
Spec: 78*78*1.8



1



2