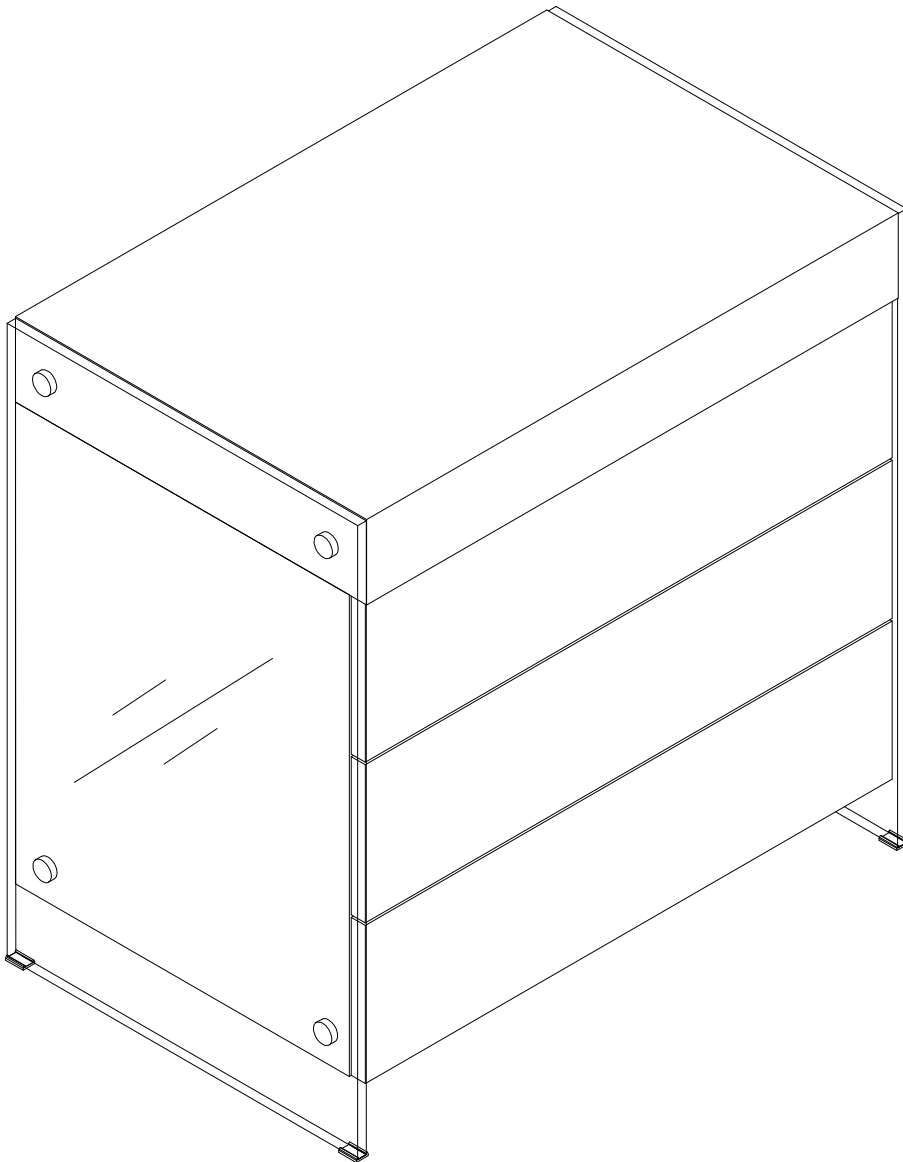
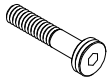
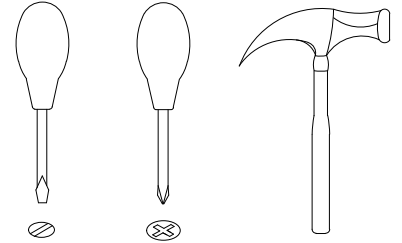
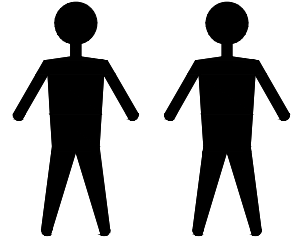


CPM3938—HA



CP3938—HA



A x8
Spec: $\varnothing 8 \times 32$



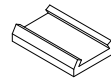
B x8
Spec: $\varnothing 25 \times 8$



C x8
Spec: $\varnothing 10 \times 18$



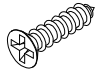
D x8
Spec: $\varnothing 12 \times \varnothing 10 \times 11$



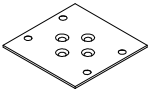
E x4
Spec:



F x4
Spec: $\varnothing 4 \times L16$



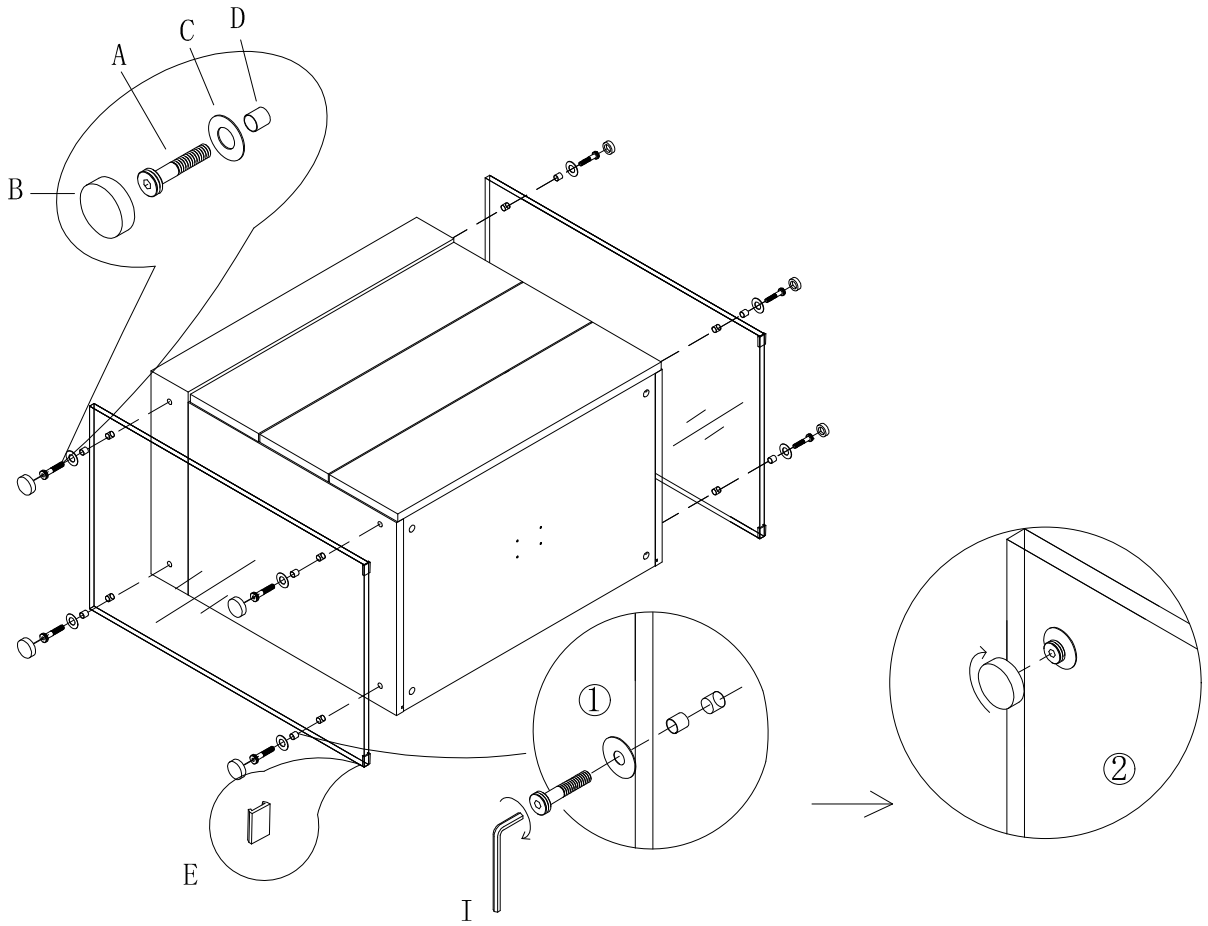
G x4
Spec: $\varnothing 3.8 \times L20$



H x1
Spec: $78 \times 78 \times 1.8$



I x1
Spec: 5#



1

2

