

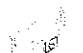

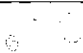
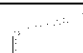




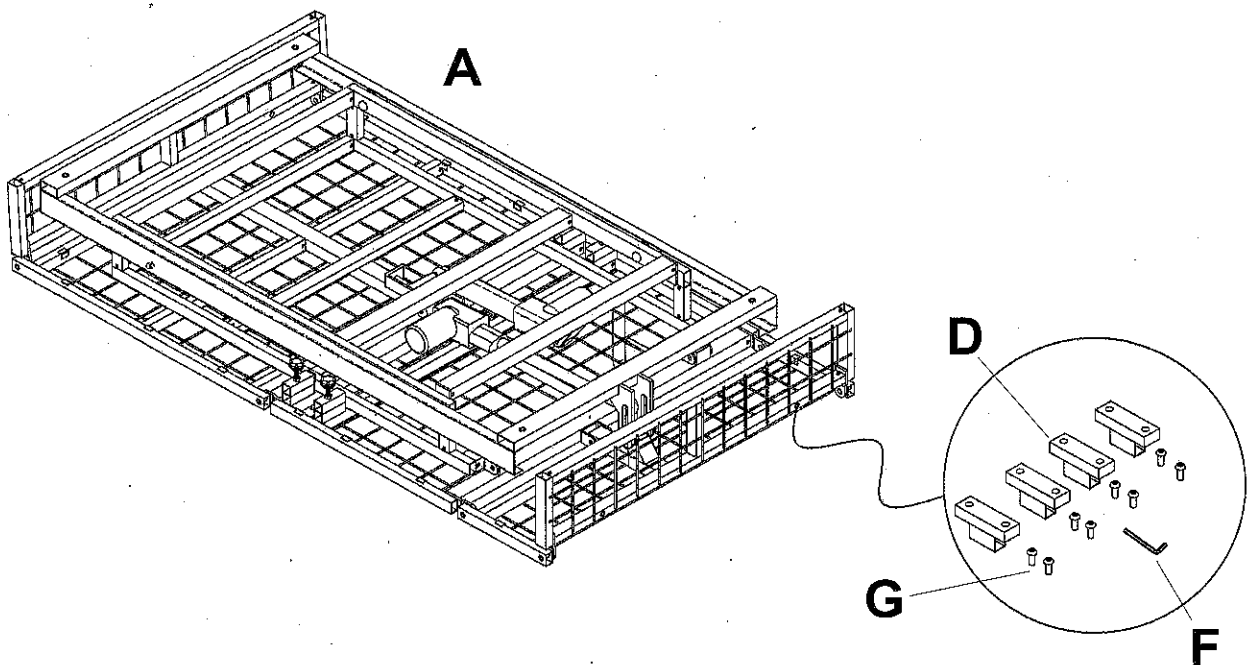
ASSEMBLY INSTRUCTION

MODEL:#100-105EZB,100-106EZB (V#12600HFSF1)

NOTE: THIS ITEM NOT RECOMMENDED FOR COMMERCIAL USE
KEEP THIS DOCUMENT FOR REFERENCE IN CASE PARTS ARE NEEDED

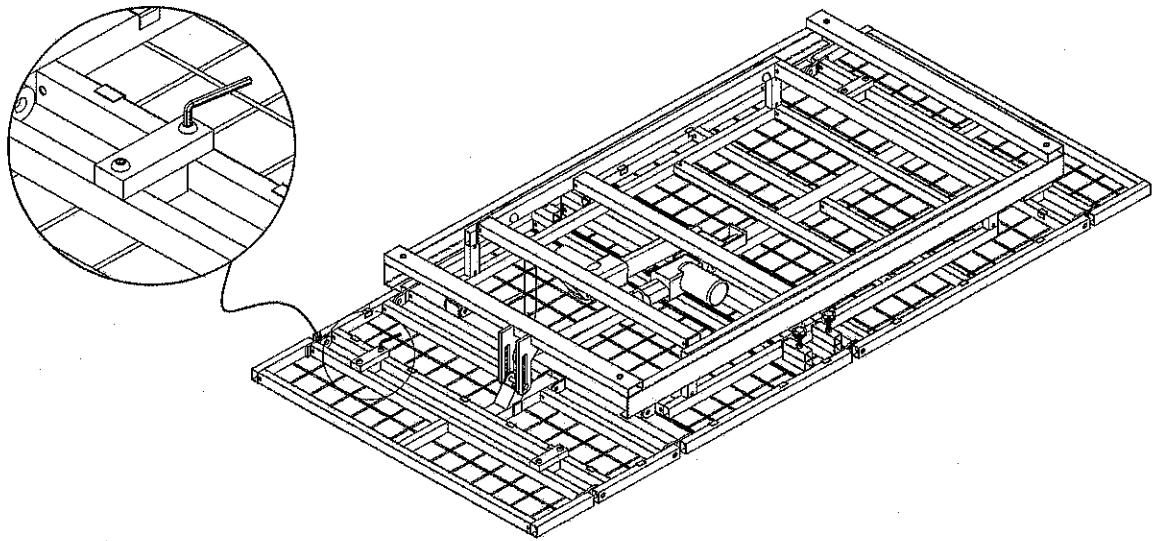
ITEM NO.		PARTS LIST	QTY
A		Bed Frame	1PC
B		LEFT PADDED GUARD RAIL	1PC
C		RIGHT PADDED GUARD RAIL	1PC
D		FRAME CONNECTORS	4PCS
E		BED LEGS: ϕ 50X225	4PCS
F		WRENCH: M5	1PC
G		BOLT: M8X29	8PCS
H		MATTRESS COVER	1PC

STEP 1



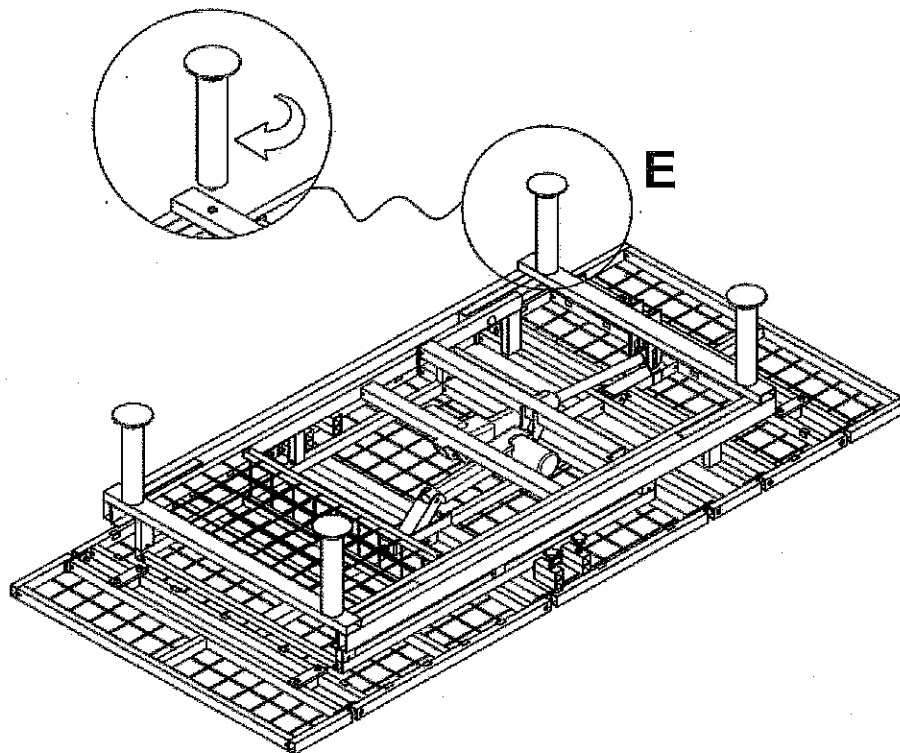
1. Open the carton box and unfold the Adjustable Base. Then open all the boxes containing all the parts.

STEP 2



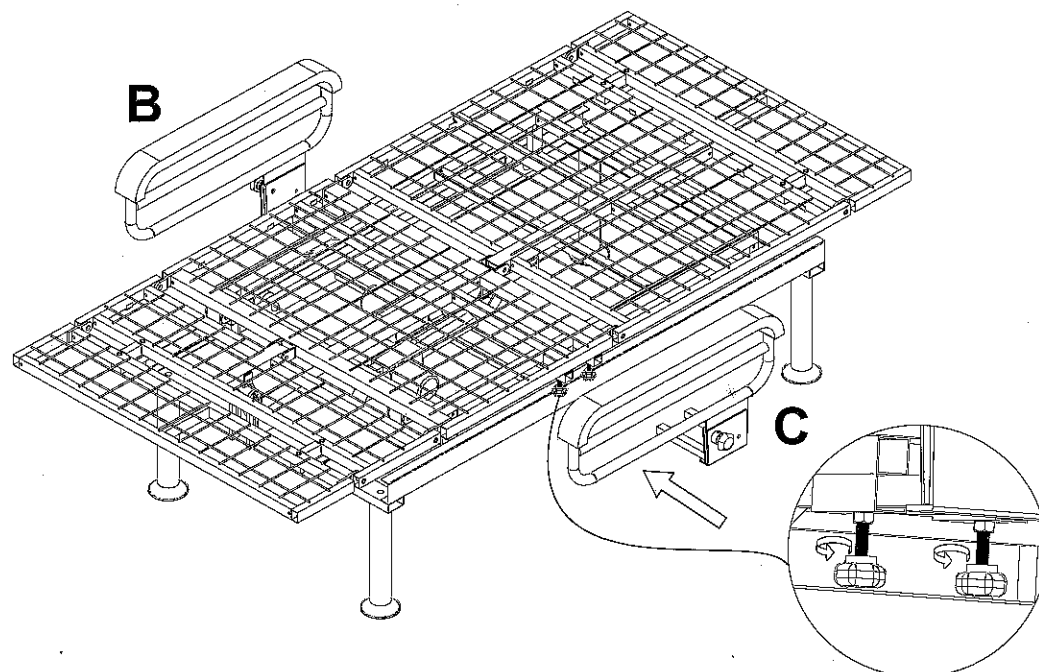
2. Use supplied bolts and wrench, tighten up the frame with the frame connectors as shown.

STEP 3

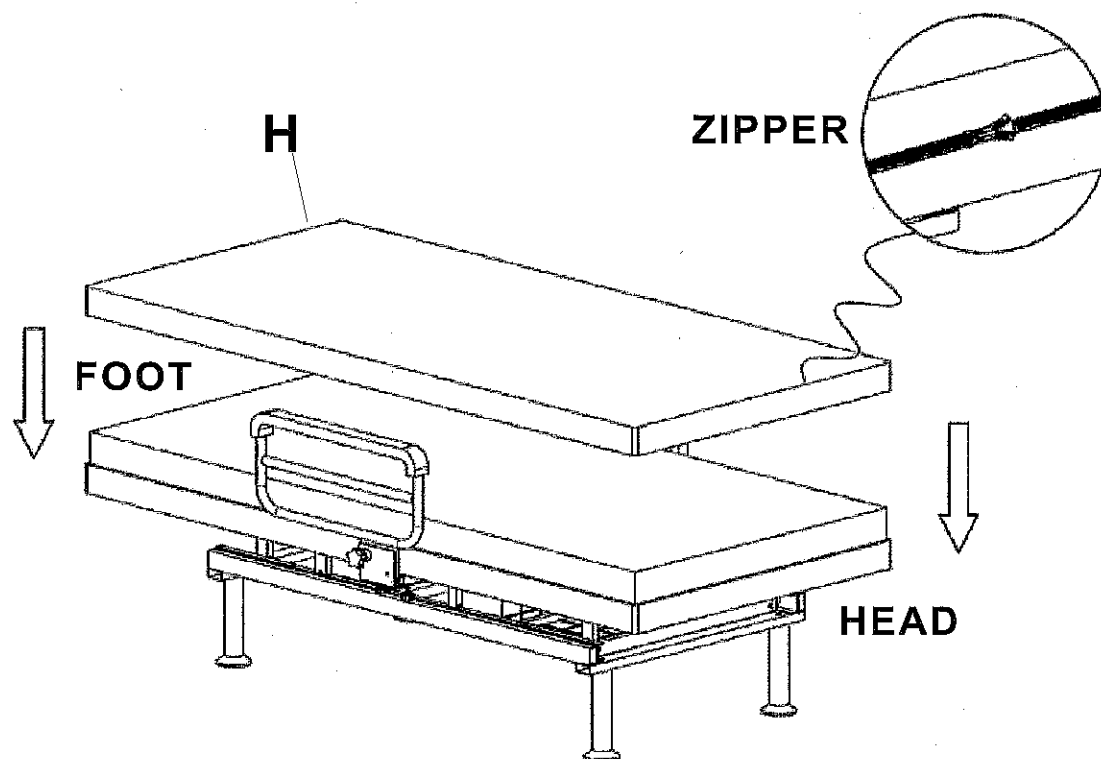


3. Install the 4 legs by turning the legs clockwise until tight. Once all 4 legs are installed, turn the adjustable base over so the legs are resting on the floor.

STEP 4



4. Install the hand rail as shown, then turning the plastic screws clockwise until tight.



5. Flatten the mattress on the bed frame, then use supplied mattress cover and zip up the fabric cover on bed frame.

REMOTE INSTRUCTION

Press this button
to raise head

HEAD
UP

HEAD
DOWN

Press this button
to lower head

Press this button
to lower foot

FOOT
DOWN

FOOT
UP

Press this button
to raise foot

Press this button
to become chair
and lift up

LIFT
UP

FLAT

Press this button to
lower head and foot
to flat position

