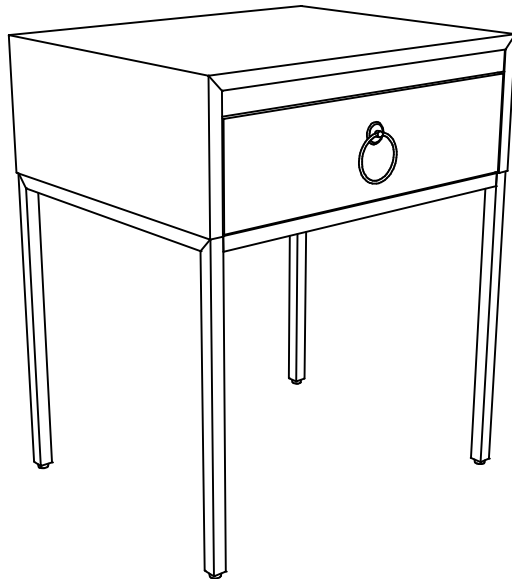


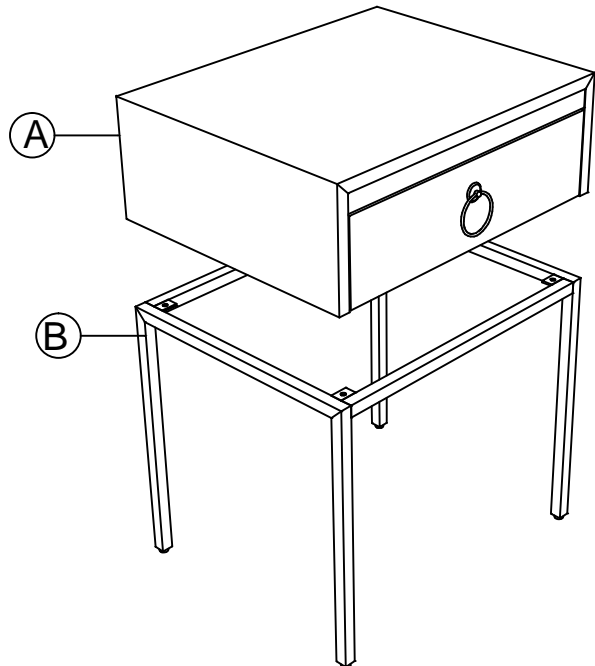
# BUTLER

Assembly Instructions  
5504222/5504291  
END TABLE

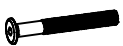
SPECIALTY COMPANY  
8200 S SOUTH CHICAGO AVE. CHICAGO IL 60617



ITEM	DESCRIPTION	QUANTITY
A	BODY	1
B	LEG	1



## hardware



© H1 x 4  
bolt M6 x 20mm



Ⓓ H2 x 4  
flat washers



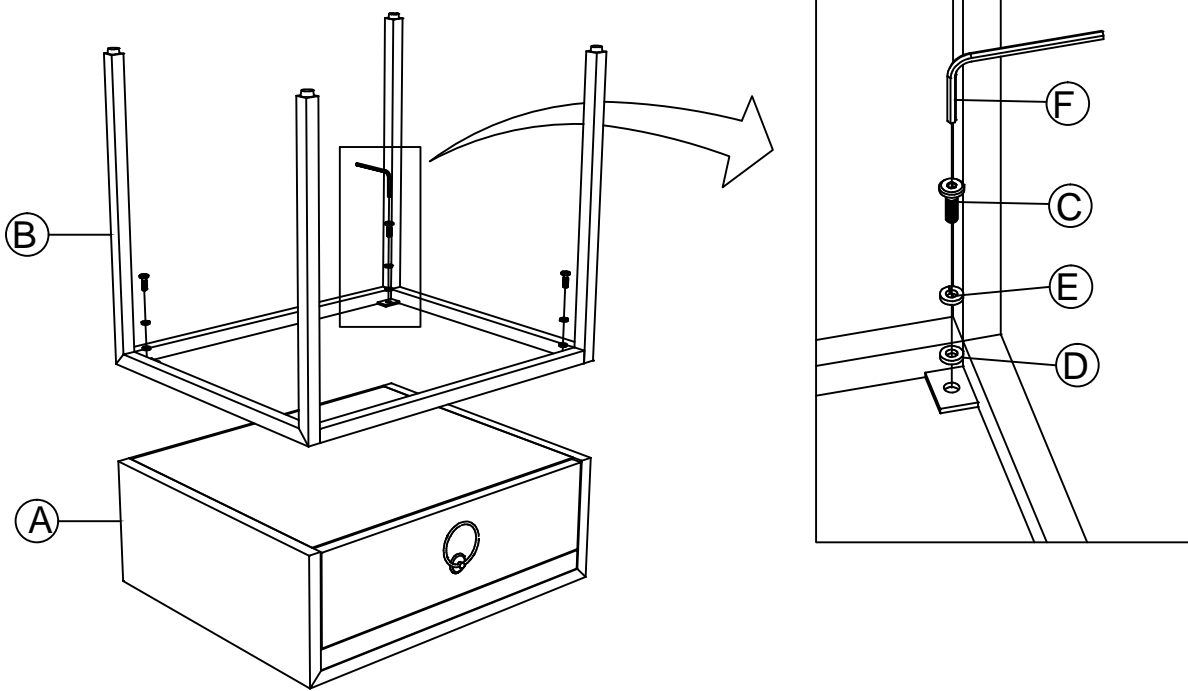
Ⓔ H2 x 4  
spring washers



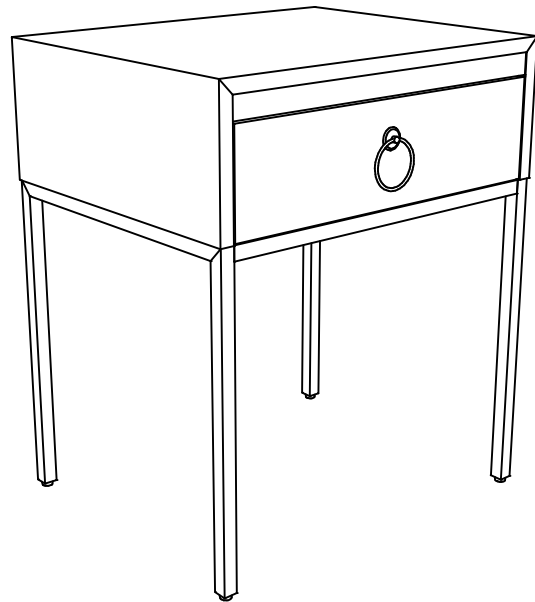
Ⓕ H3 x 1  
hex key #4

# step 1

Attach leg (B) to the body (A), insert flat washers (D), spring washers (E), and bolt (C) to the pre-drilled holes and tighten by using the allen key (F)



Congratulation  
Assembly complete, your end table is ready to use



( \* ) Caution : **DO NOT OVERTIGHTEN**

In any correspondence regarding this product, please include the complete Butler identification number located on the underside of the product.

We hope this product will be a useful and decorative addition to your home for years to come.

Copyright© Butler Specialty Company, 08 / 20