

# BUTLER

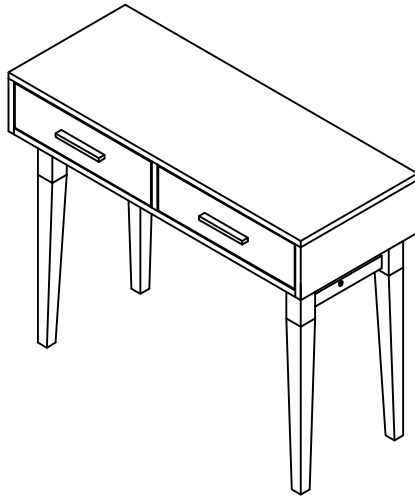
SPECIALITY COMPANY

8200 SOUTH CHICAGO AVE. CHICAGO, IL 60617

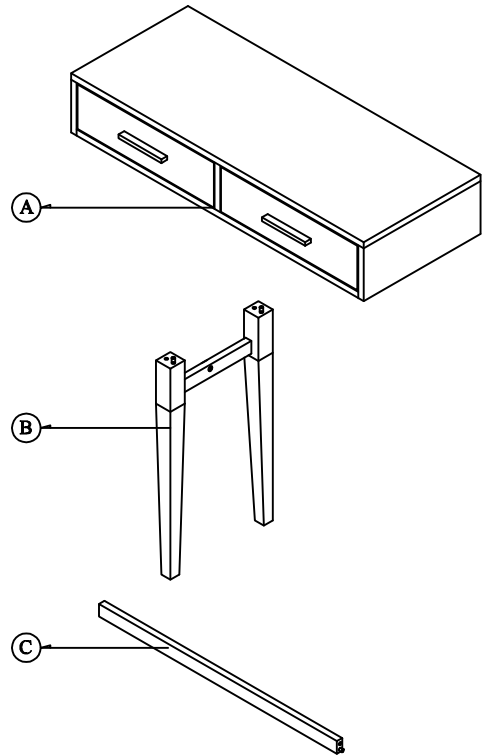
## Assembly Instructions

9388101

Console Table



ITEM	DESCRIPTION	QUANTITY
A	top	1
B	legs	2
C	stretcher	1



### hardware



H1 x 2  
bolts M6 x 40 mm



H2 x 2  
spring washers M6



H3 x 2  
flat washers M6



H4 x 4  
bolts M8 x 40 mm



H5 x 4  
spring washers M8



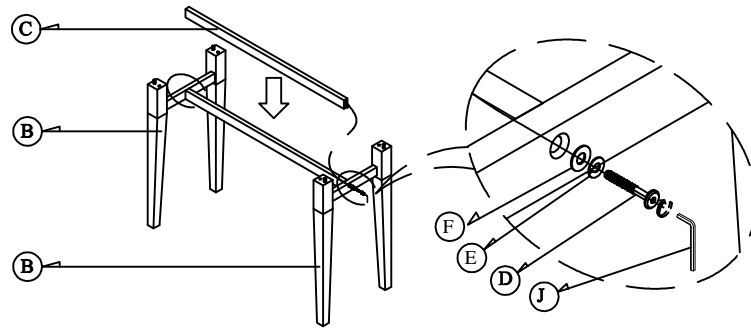
H6 x 4  
flat washers M8



H7 x 1  
Allen key 4mm

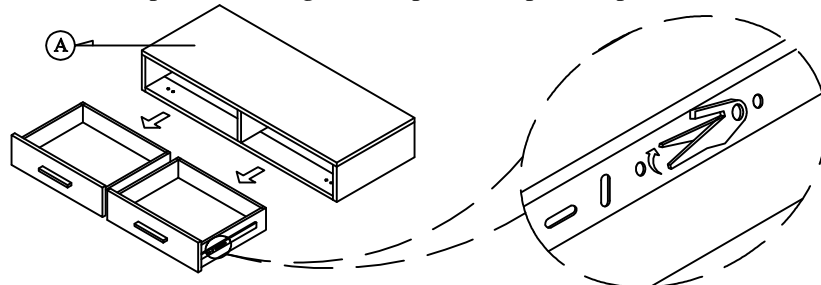
## Step # 1

Attach stretcher (C) to legs (B), insert bolt (D), spring washer (E), flat washer (F) to the counter bored holes and tighten using allen key (J).



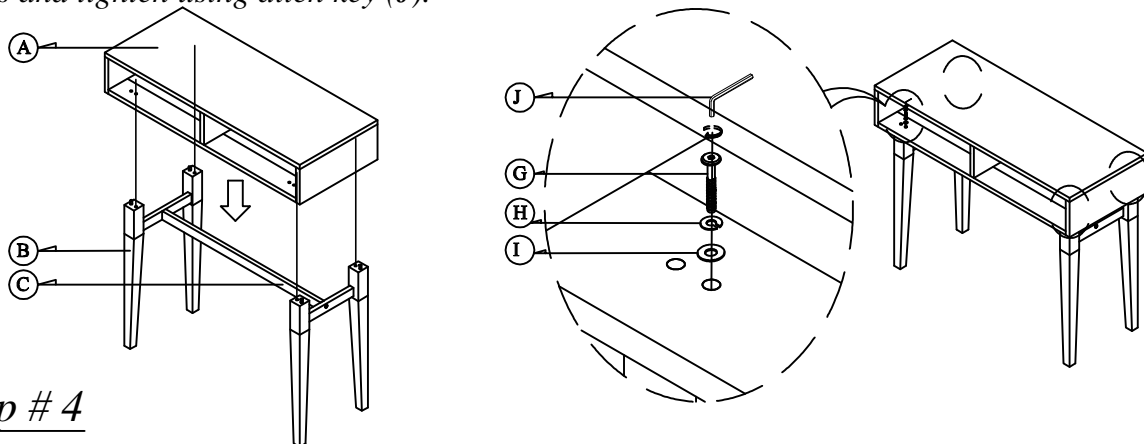
## Step # 2

Press the left side plastic down and press the right side plastic up then pull out the drawer.



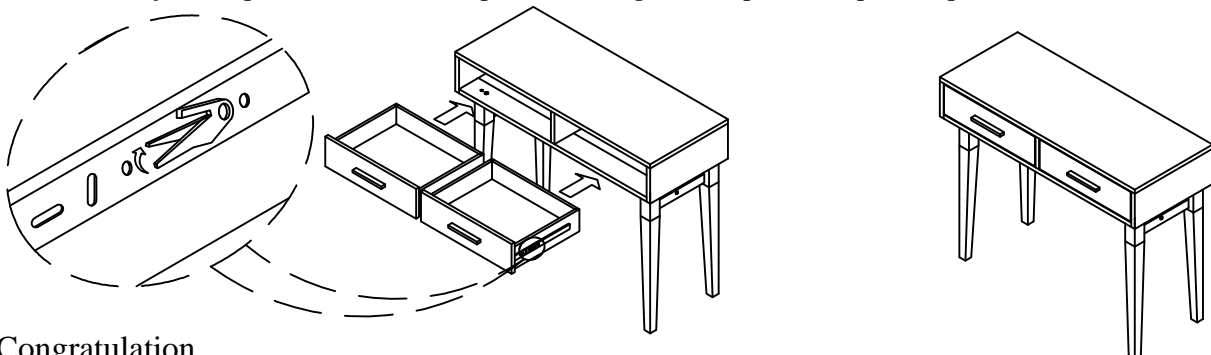
## Step # 3

Attach leg assembly to top (A), insert bolt (G), spring washer (H), flat washer (I) to the bored holes and tighten using allen key (J).



## Step # 4

Press the left side plastic down and press the right side plastic up then pull the drawer in.



Congratulation

Assembly complete, you Console Table is ready to use.

(\*) Caution : DO NOT OVERTIGHTEN.

In any correspondence regarding this product, please include the complete Butler Identification number located on the underside of the product.

We hope this product will be a useful and decorative addition to your home for years to come.

Copyright © Butler Specialty Company, 02/18