

# BUTLER

Assembly Instructions  
9369399  
RATTAN KITCHEN ISLAND

## SPECIALTY

### COMPANY

8200 SOUTH CHICAGO AVE. CHICAGO, IL 60617

### PACKAGED

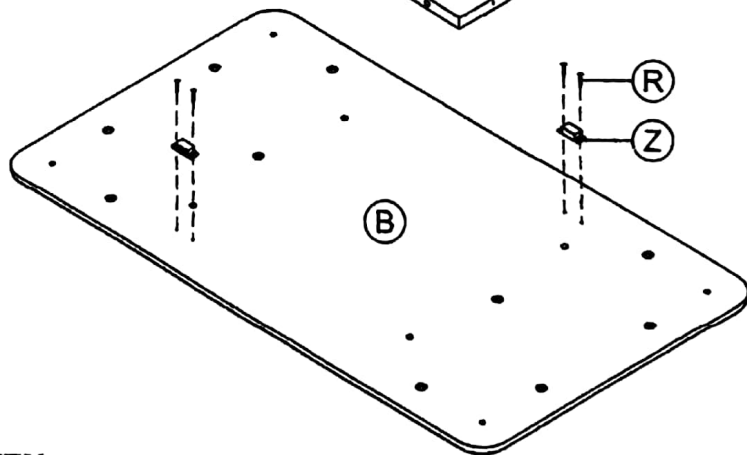
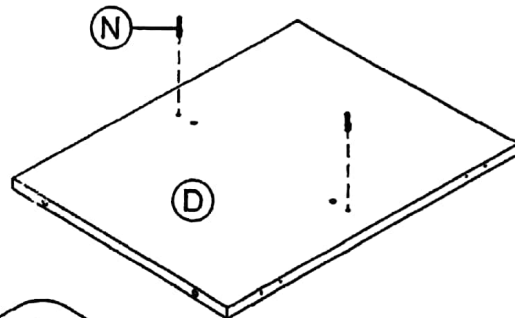
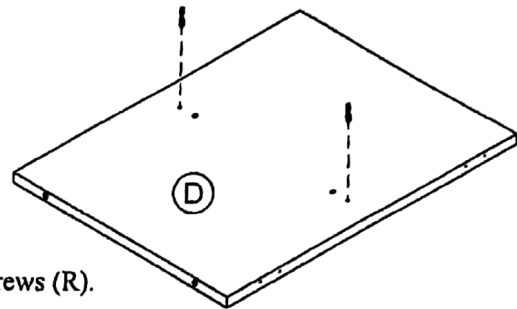
(A) 1 - Top Assembly	(K) 1 - Drawer Base	(T) 16 - 5/8" Flat Head Screw
(B) 1 - Large Shelf	(L) 1 - Drawer Support	(U) 4 - Machine Screw
(C) 2 - Small Shelf	(M) 2 - Door	(V) 4 - Handle
(D) 2 - Divider	(N) 4 - Minifix Bolt	(W) 4 - Ø10 Wooden Dowel
(E) 2 - Middle Shelf	(O) 4 - Minifix Housing	(X) 8 - Ø8 Wooden Dowel
(F) 4 - Post	(P) 4 - Long Bolt	(Y) 8 - Adjustable Pin
(G) 1 - Bottom	(Q) 22 - Short Bolt	(Z) 2 - Magnet
(H) 4 - Leg	(R) 4 - 5/8" Round Head Screw	(AA) 4 - Hinge
(I) 2 - Drawer Front	(S) 8 - 1 1/4" Flat Head Screw	(AB) 1 - Allen Key (AB)
(J) 2 - Drawer Side		

**Read all instruction before starting assembly.**

**Step #1** Remove all the content from the package checking that all of the component listed in "Packaged" are included. Prepare a flat, protected work surface where the product can be assembled.

**Step #2** attach Minifix Bolts (N) to Dividers (D).

**Step #3** attach Magnets (Z) to Large Shelf (B) using Wood Screws (R).



(\* Caution : DO NOT OVERTIGHTEN.

In any correspondence regarding this product, please include the complete Butler identification number located on the underside of the product.

*We hope this product will be a useful and decorative addition to your home for years to come.*

Copyright © Butler Specialty Company, 03/17

# BUTLER

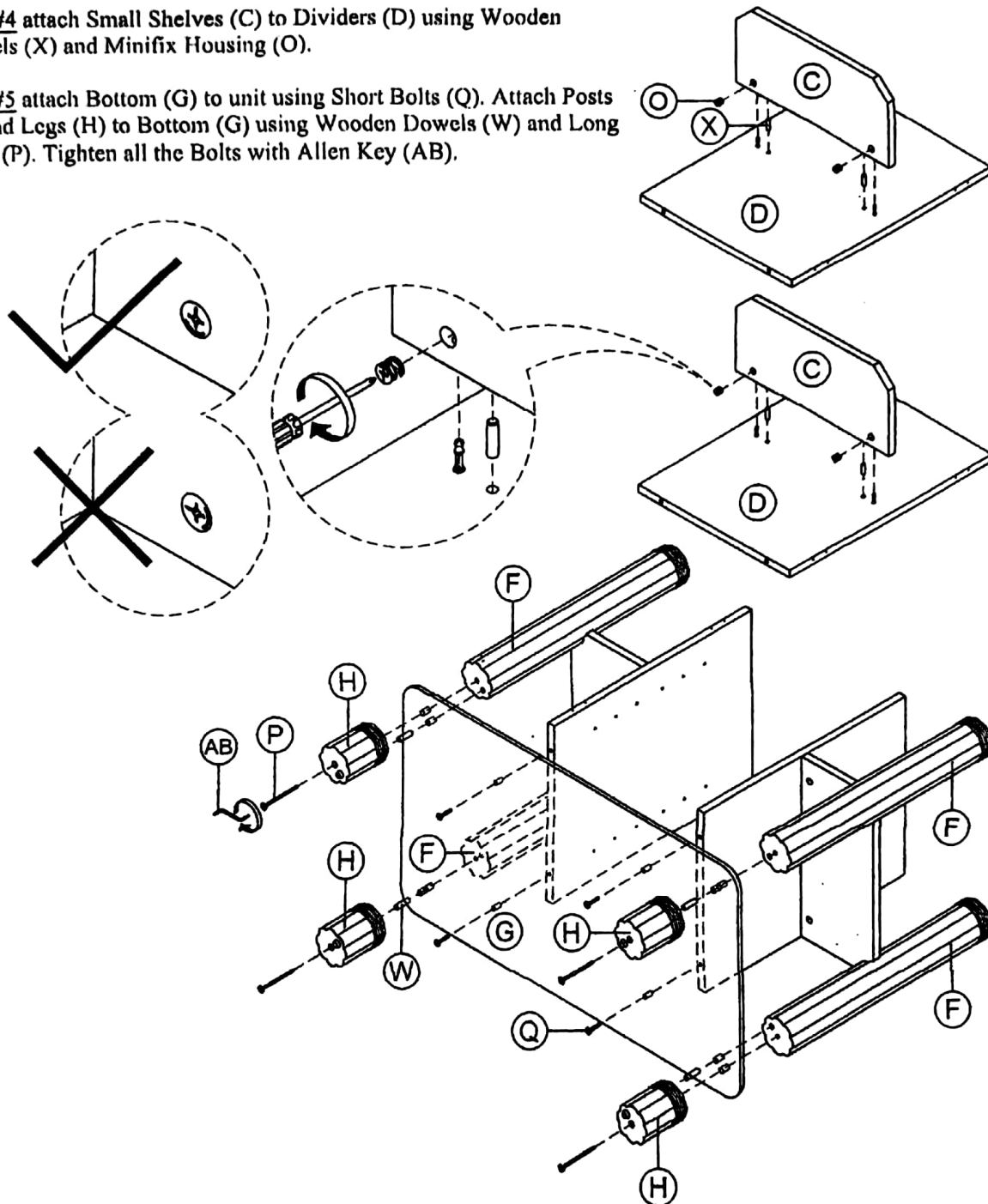
9369399  
RATTAN KITCHEN ISLAND

## SPECIALTY

COMPANY  
8200 SOUTH CHICAGO AVE. CHICAGO, IL 60617

**Step #4** attach Small Shelves (C) to Dividers (D) using Wooden Dowels (X) and Minifix Housing (O).

**Step #5** attach Bottom (G) to unit using Short Bolts (Q). Attach Posts (F) and Legs (H) to Bottom (G) using Wooden Dowels (W) and Long Bolts (P). Tighten all the Bolts with Allen Key (AB).



(\* Caution : DO NOT OVERTIGHTEN.

In any correspondence regarding this product, please include the complete Butler identification number located on the underside of the product.

*We hope this product will be a useful and decorative addition to your home for years to come.*

Copyright © Butler Specialty Company, 03/17

# BUTLER

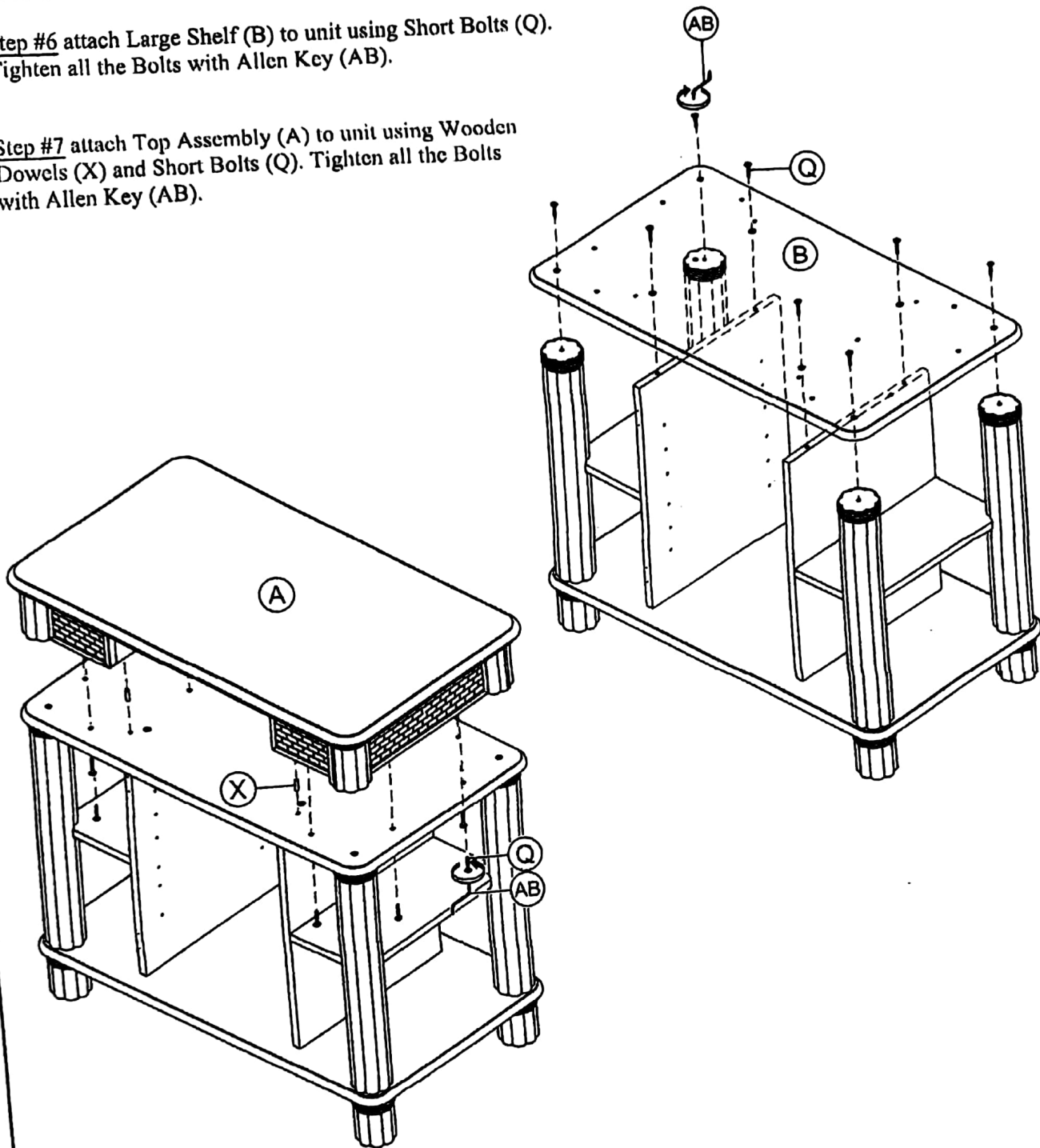
7307577  
RATTAN KITCHEN ISLAND

SPECIALTY

COMPANY  
8200 SOUTH CHICAGO AVE. CHICAGO, IL 60617

Step #6 attach Large Shelf (B) to unit using Short Bolts (Q).  
Tighten all the Bolts with Allen Key (AB).

Step #7 attach Top Assembly (A) to unit using Wooden Dowels (X) and Short Bolts (Q). Tighten all the Bolts with Allen Key (AB).



(\* Caution : DO NOT OVERTIGHTEN.

In any correspondence regarding this product, please include the complete Butler identification number located on the underside of the product.

*We hope this product will be a useful and decorative addition to your home for years to come.*

Copyright © Butler Specialty Company, 03/17

# BUTLER

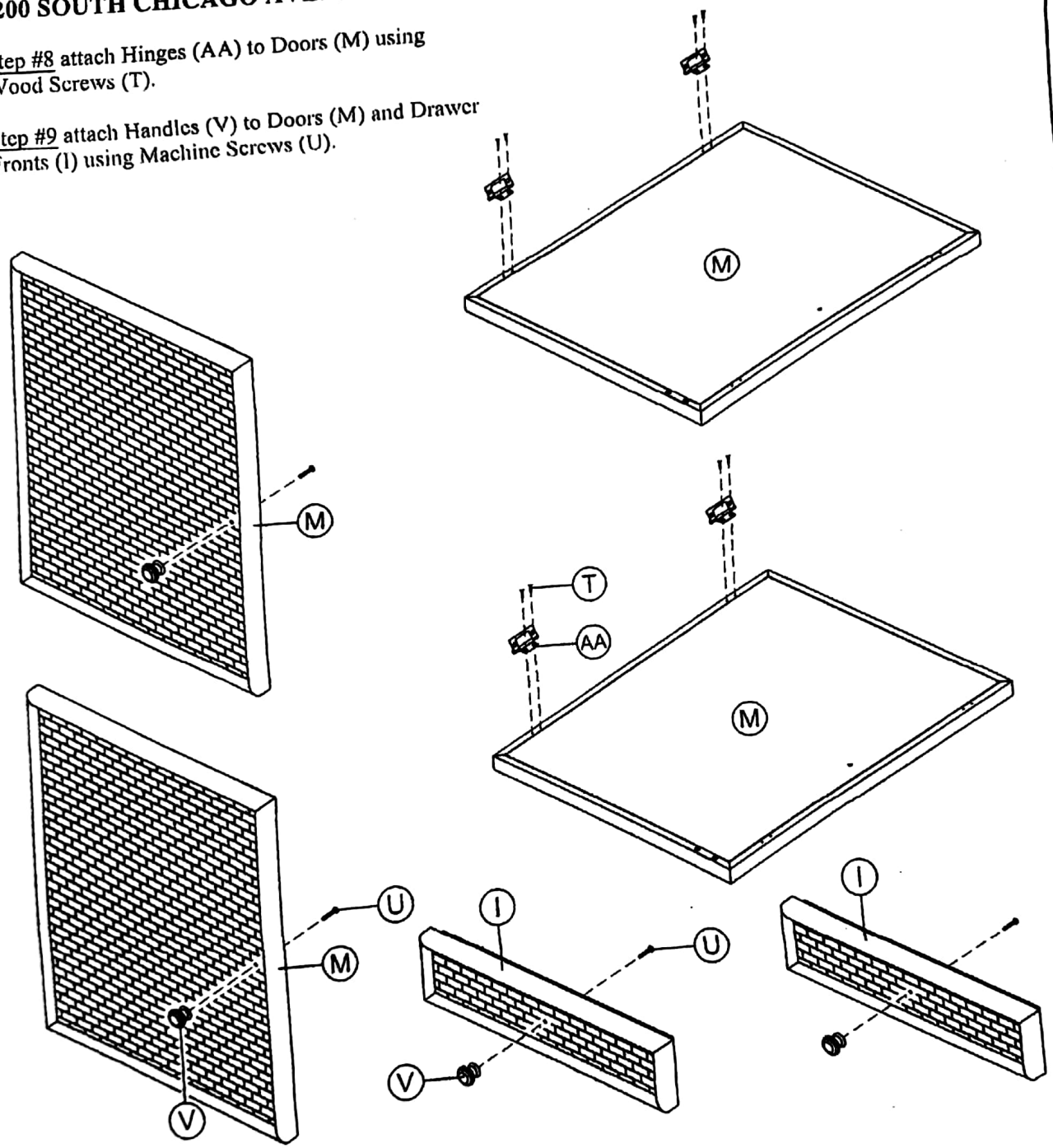
## RATTAN KITCHEN ISLAND

SPECIALTY

COMPANY  
8200 SOUTH CHICAGO AVE. CHICAGO, IL 60617

Step #8 attach Hinges (AA) to Doors (M) using Wood Screws (T).

Step #9 attach Handles (V) to Doors (M) and Drawer Fronts (I) using Machine Screws (U).



(\* Caution : DO NOT OVERTIGHTEN.

In any correspondence regarding this product, please include the complete Butler identification number located on the underside of the product.

We hope this product will be a useful and decorative addition to your home for years to come.

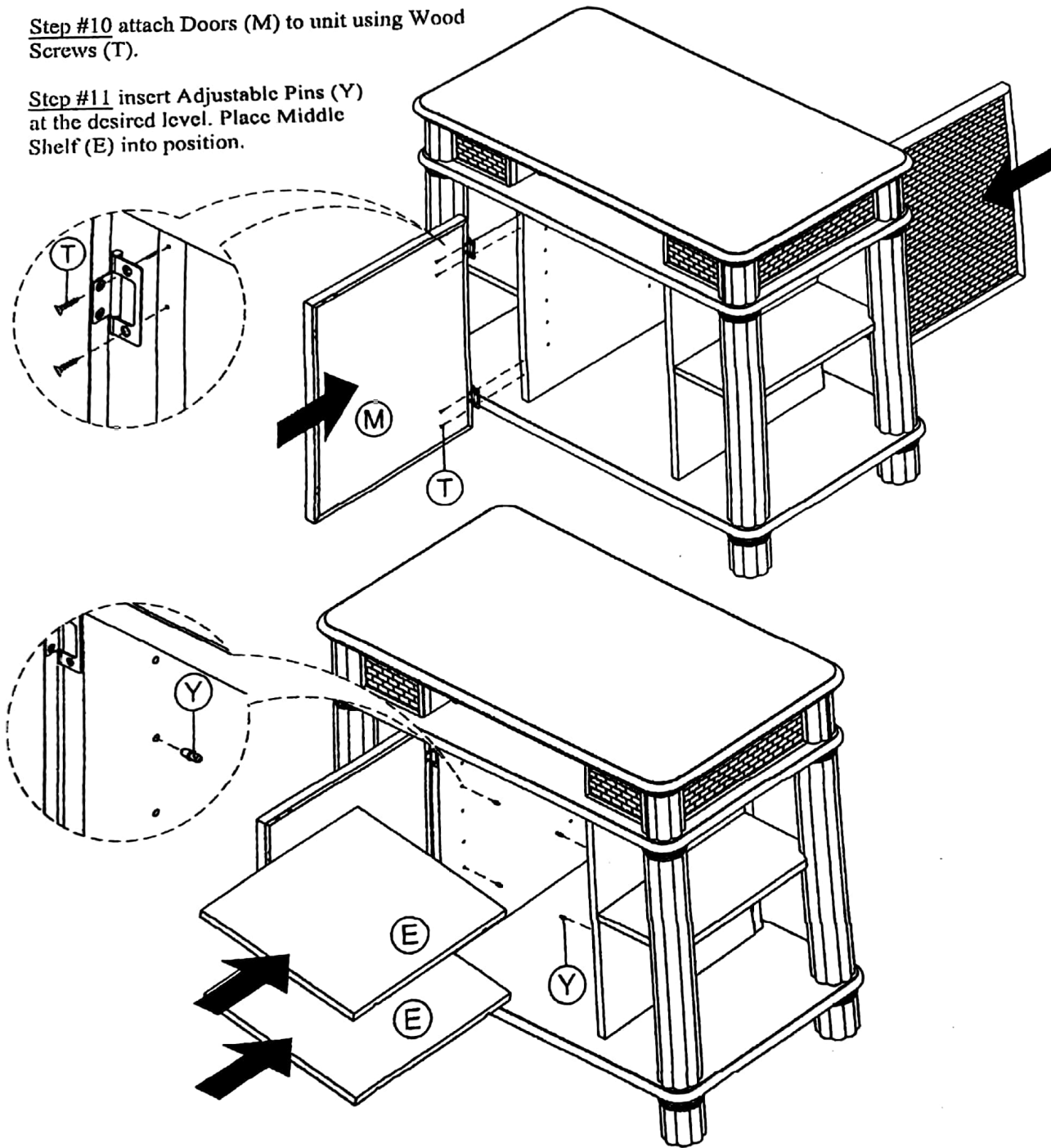
Copyright © Butler Specialty Company, 03/17

# BUTLER

## RATTAN KITCHEN ISLAND

**Step #10** attach Doors (M) to unit using Wood Screws (T).

**Step #11** insert Adjustable Pins (Y) at the desired level. Place Middle Shelf (E) into position.



**(\* Caution : DO NOT OVERTIGHTEN.**

**In any correspondence regarding this product, please include the complete Butler identification number located on the underside of the product.**

*We hope this product will be a useful and decorative addition to your home for years to come.*

Copyright © Butler Specialty Company, 03/17

# BUTLER

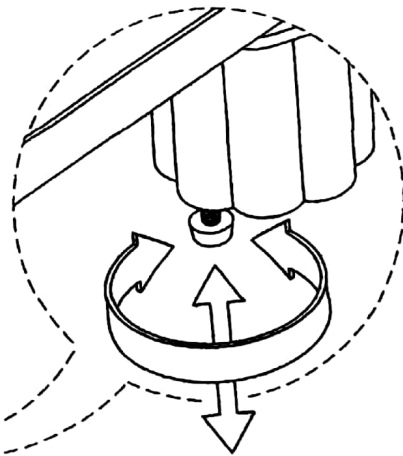
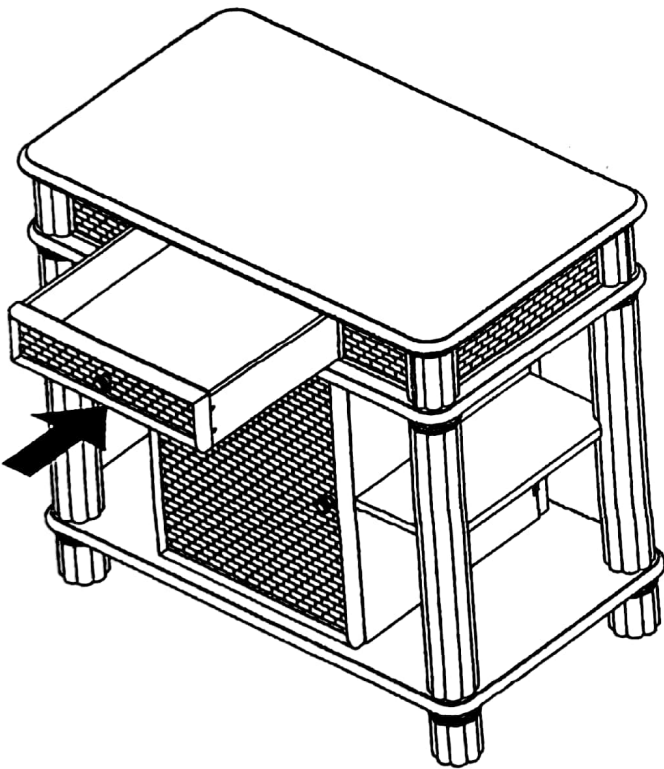
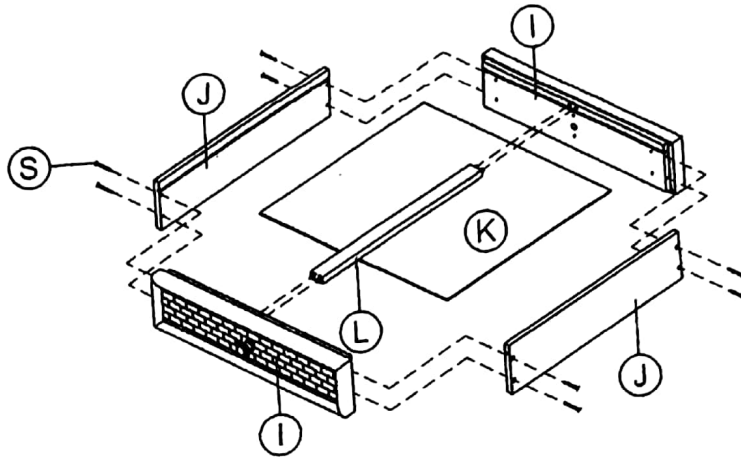
## RATTAN KITCHEN ISLAND

### SPECIALTY

COMPANY  
8200 SOUTH CHICAGO AVE. CHICAGO, IL 60617

**Step #12** attach Drawer Sides (J) and Drawer Support (L) to Drawer Front (I) using Wood Screws (S). Slide Drawer Base (K) into the groove. Attach Drawer Sides (J) and Drawer Base (L) to Drawer Front (I) using Wood Screws (S).

**Step #13** slide the drawer into unit. Adjust the adjuster that has already been assembled to the legs to stabilize your unit. Your unit is now ready for use.



(\* Caution : DO NOT OVERTIGHTEN.

In any correspondence regarding this product, please include the complete Butler identification number located on the underside of the product.

*We hope this product will be a useful and decorative addition to your home for years to come.*

Copyright © Butler Specialty Company, 03/17