

BUTLER

Assembly Instructions
9347379 / 9347288
CONSOLE CABINET MAHOGANY
CONSOLE CABINET WHITE

SPECIALTY COMPANY
8200 SOUTH CHICAGO AVE. CHICAGO, IL 60617

PACKAGED

- (A) 1 - Cabinet
- (B) 4 - Legs

Read all instruction before starting assembly.

Step #1 Remove all the content from the package checking that all of the component listed in "Packaged" are included. Prepare a flat, protected work surface where the product can be assembled.

Step #2 Lay your Cabinet (A) on smooth surface. Align legs (B) with protruding hanger bolt over threaded insert plate in Cabinet (A) slowly turn clockwise until securely tightened.

Step #3 Place the cabinet into upright position.

How to adjust leveler

if the floor is uneven adjust the levelers located at the underside of the legs, to do this lift up the side that need to be elevated to provide access to the levelers, turn the levelers until adequate contact with the floor. Figure 1

Adjustable Shelf

To remove adjustable shelves, remove screw from shelf support, then carefully lift shelves up and out the case. To reposition adjustable shelves, insert stem of shelf support into holes in end panel, as shown. Rest the shelf on the shelf support, and reinstall screw. Figure 2

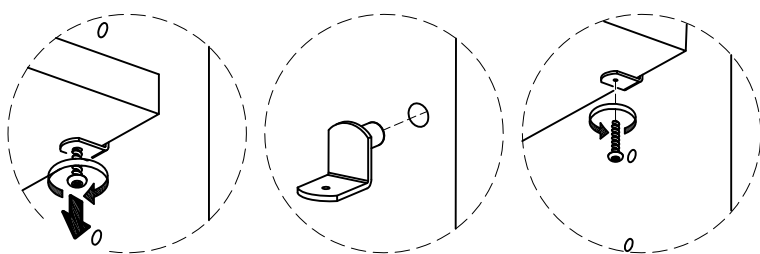
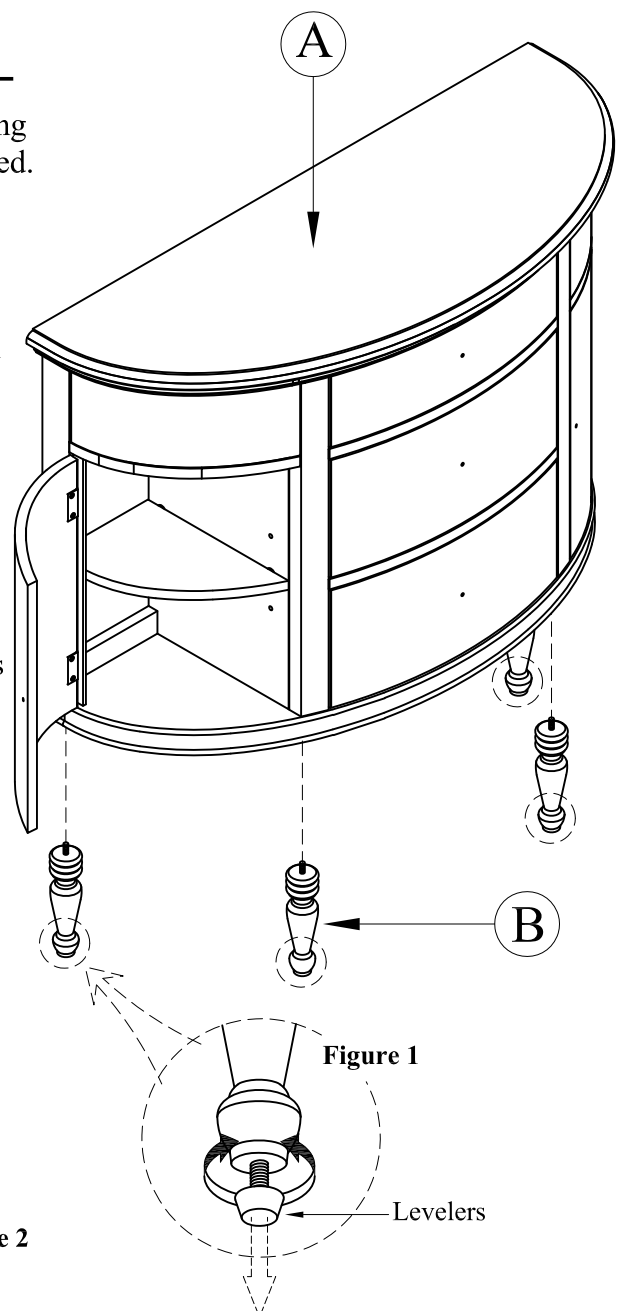


Figure 2



(* **Caution : DO NOT OVERTIGHTEN.**

In any correspondence regarding this product, please include the complete Butler identification number located on the underside of the product.

We hope this product will be a useful and decorative addition to your home for years to come.

Copyright © Butler Specialty Company, 05/16