

BUTLER

Assembly Instructions

SPECIALTY COMPANY

8200 SOUTH CHICAGO AVE. CHICAGO, IL 60617

PACKAGED

Part List

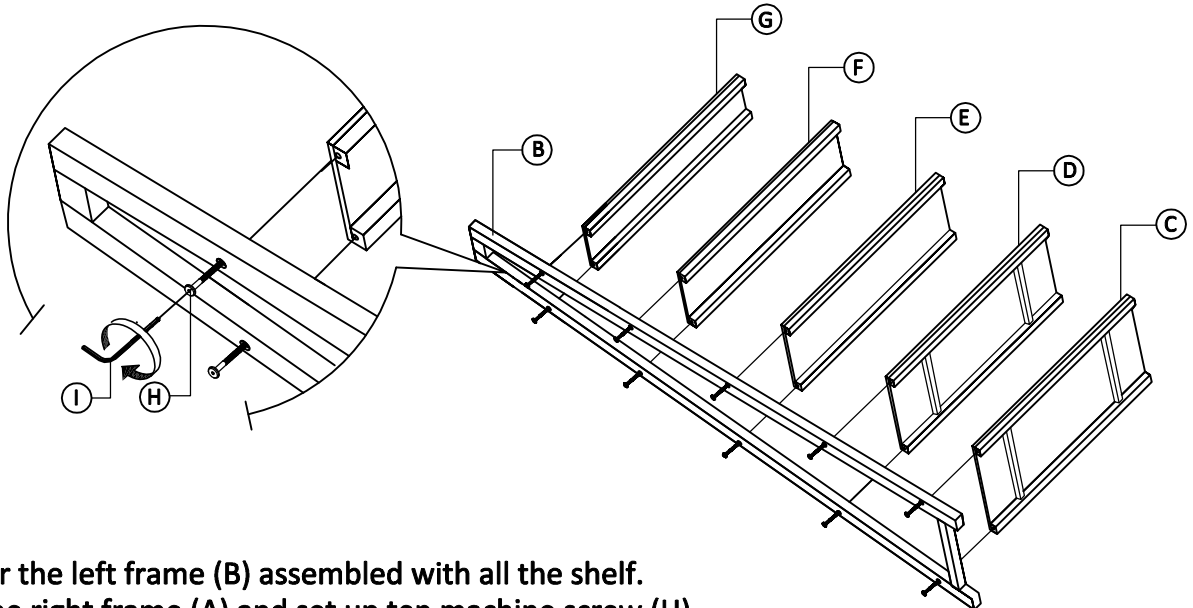
(A) Side Frame Right (E) Shelf 3 (H) 20-Machine Screw (M) 1-Screw $\varnothing 6 \times 1''$
(B) Side Frame Left (F) Shelf 4 (I) 1-Allen Key (N) 1-Screw $\varnothing 6 \times 3/4''$
(C) Shelf 1 (G) Shelf 5 (J) 2-Brackets (K) 1-Tipping Restraint
(D) Shelf 2 (L) 1-Plastic Anchor

Hardware

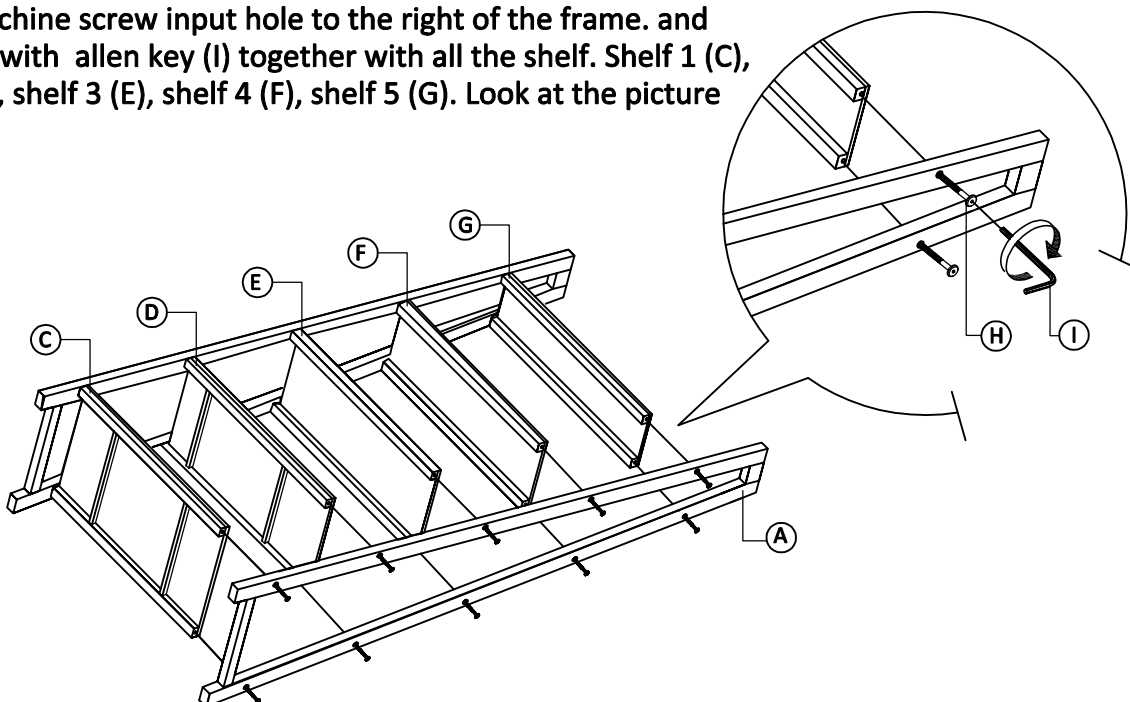
Read all instruction before starting assembly

Step #1 Remove all the contents from the package checking that all of the components listed in "packaged" are included. prepare a flat, protected work surface where the product can be assembled.

Step #2 Prepare a left frame (B) and a shelf 1 (C), shelf 2 (D), shelf 3 (E), shelf 4 (F), shelf 5 (G) first. Take ten machine screw (H) and allen key (I). input machine screw into the hole which is located on the left frame, and assembly with shelves. look at the picture.



Step #3 After the left frame (B) assembled with all the shelf. Then set up the right frame (A) and set up ten machine screw (H) again, machine screw input hole to the right of the frame. and assembly with allen key (I) together with all the shelf. Shelf 1 (C), shelf 2(D), shelf 3 (E), shelf 4 (F), shelf 5 (G). Look at the picture



(*) Caution: DO NOT OVERTIGHTEN

In any correspondence regarding this product, please include the complete Butler Identification number located on the underside of the product.

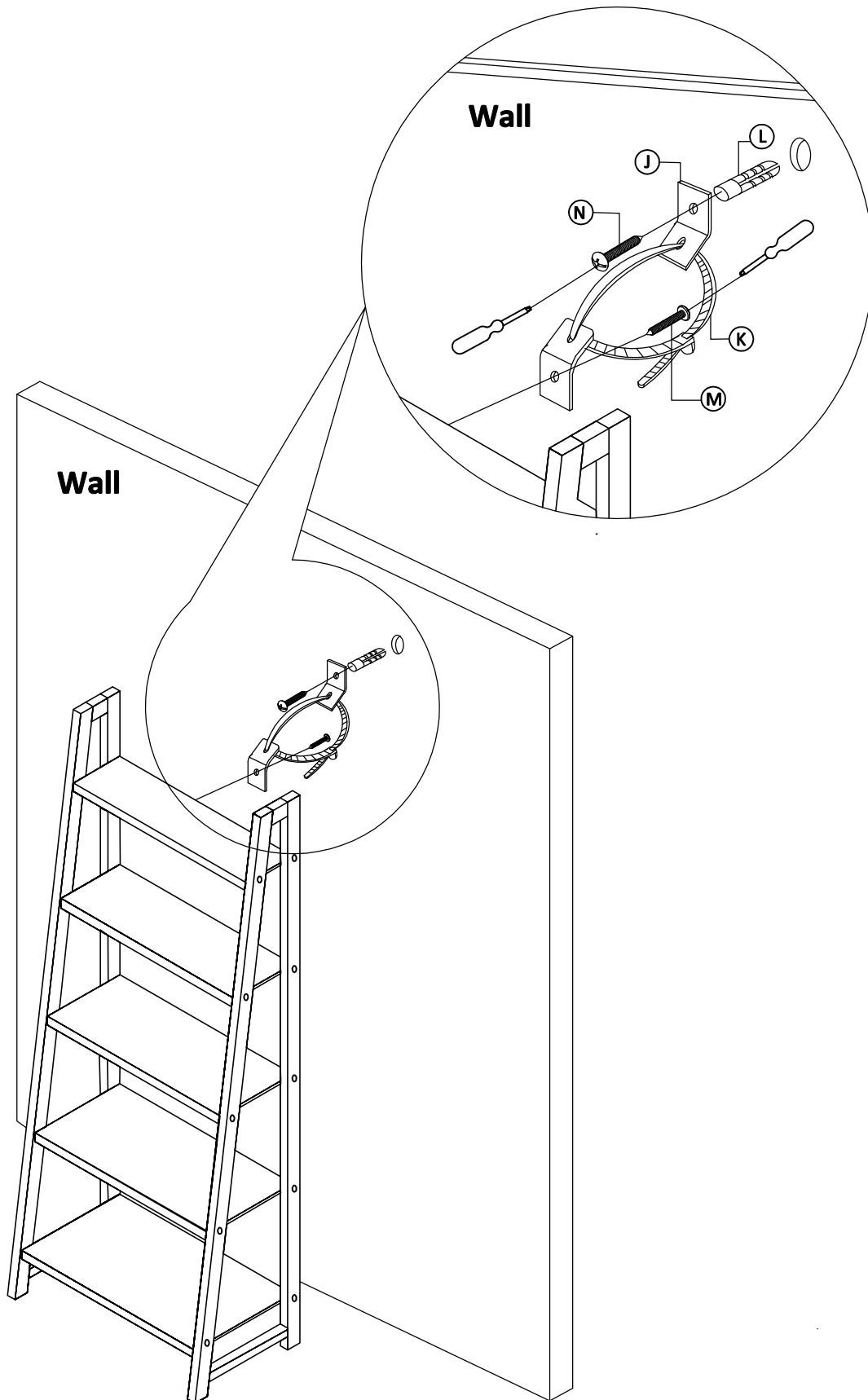
We hope Costumer will be a useful and decorative addition to your home for years to come.

BUTLER

Assembly Instructions

SPECIALTY COMPANY

8200 SOUTH CHICAGO AVE. CHICAGO, IL 60617



(*) Caution: DO NOT OVERTIGHTEN

In any correspondence regarding this product, please include the complete Butler Identification number located on the underside of the product.

We hope Costumer will be a useful and decorative addition to your home for years to come.

Copyright © Butler Specialty Company, 03/16