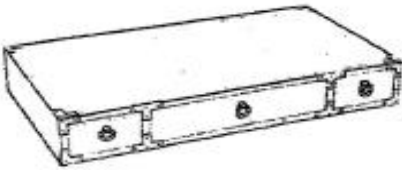
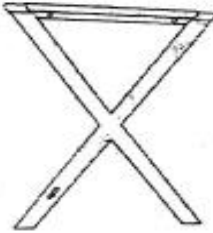


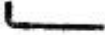
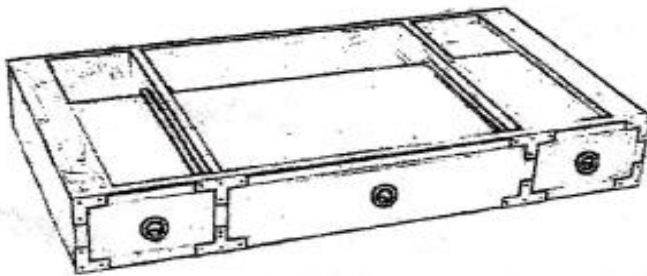


ASSEMBLY INSTRUCTION OF CAMPAIGN DESK

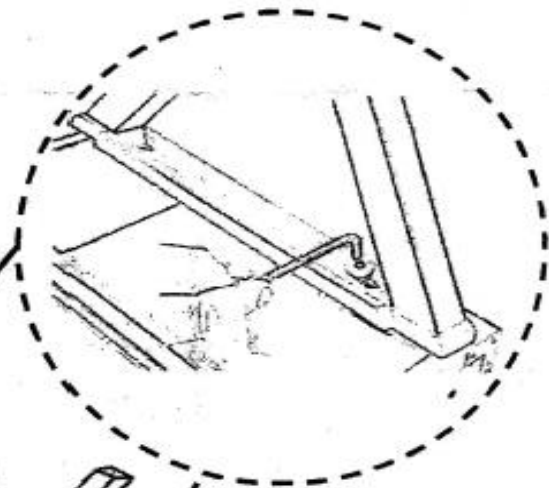
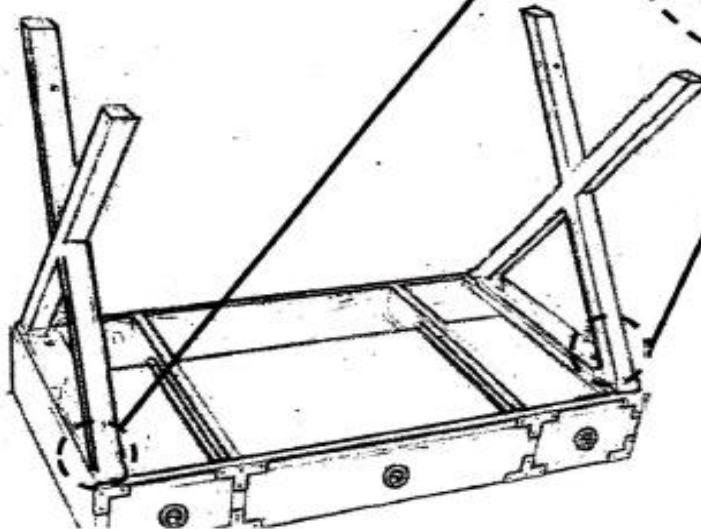
9341354

| | | | |
|---|---|--|---|
| 1- Table top  | 2- LEGS PAIR  | 1- STRETCHER  | 6- SCREWS  1- L-end key  |
|---|---|--|---|

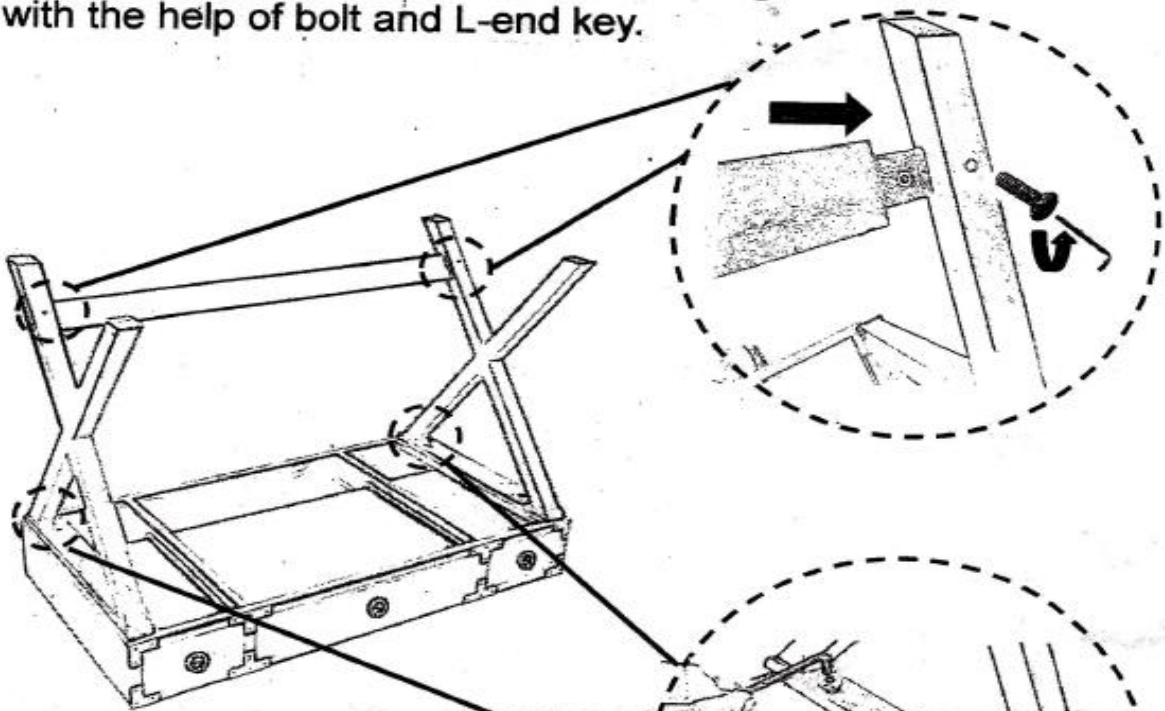
1. Keep the table top upside down on a clean surface.



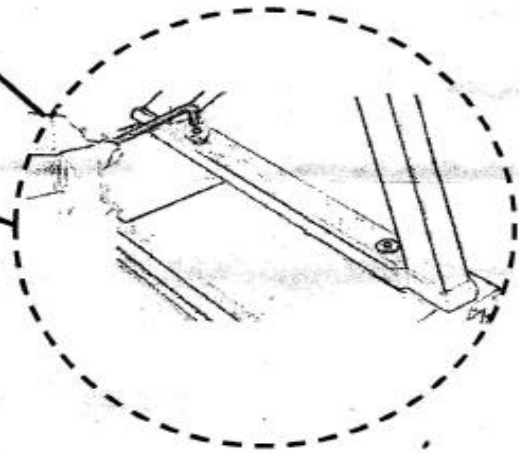
2. Fix screws on the front of both the legs, with the help of l-end key, as shown.



3. Fix the stretcher on both sides of back legs with the help of bolt and L-end key.



4. Now fix back of both legs with the table top, with the help of bolt and L-end key



5. Keep the table in upright position.

