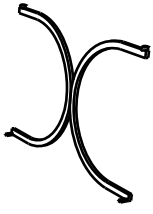


ASSEMBLY INSTRUCTIONS

Parts:-



Leg x 2



Frame x 1



Marble x1



Middle pipe x 1



Finial x 2



Screw driver x 1



Wrench x 1

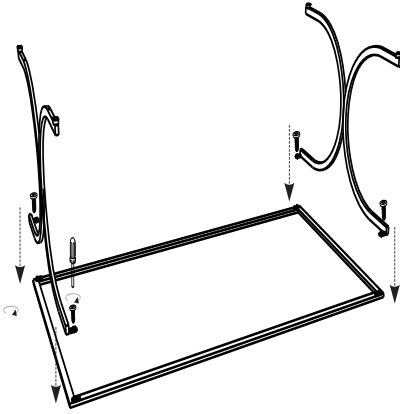


Screw x 4

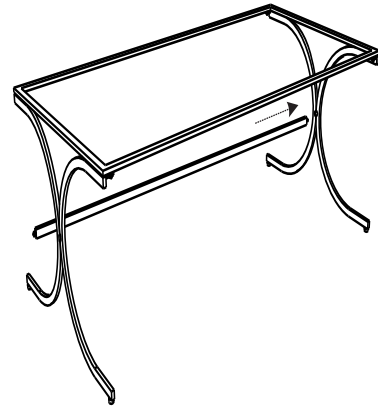


Nut x 2

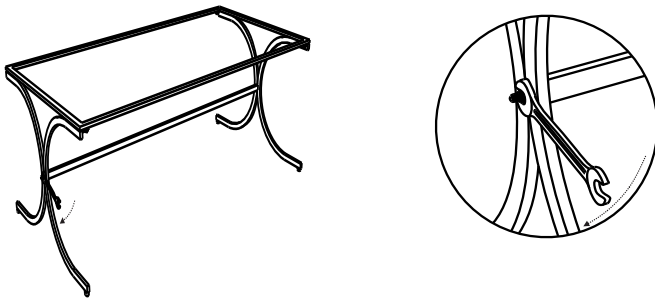
STEP - 1



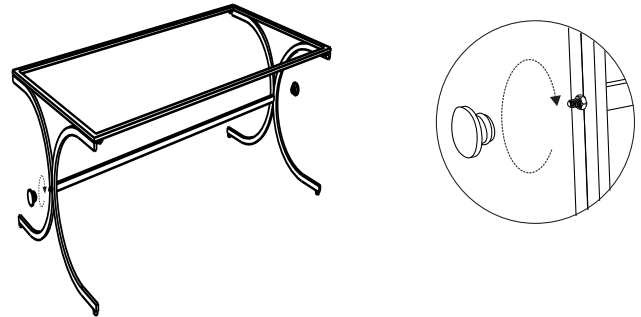
STEP - 2



STEP - 3



STEP - 4



STEP - 5



ASSEMBLED

