

BUTLER

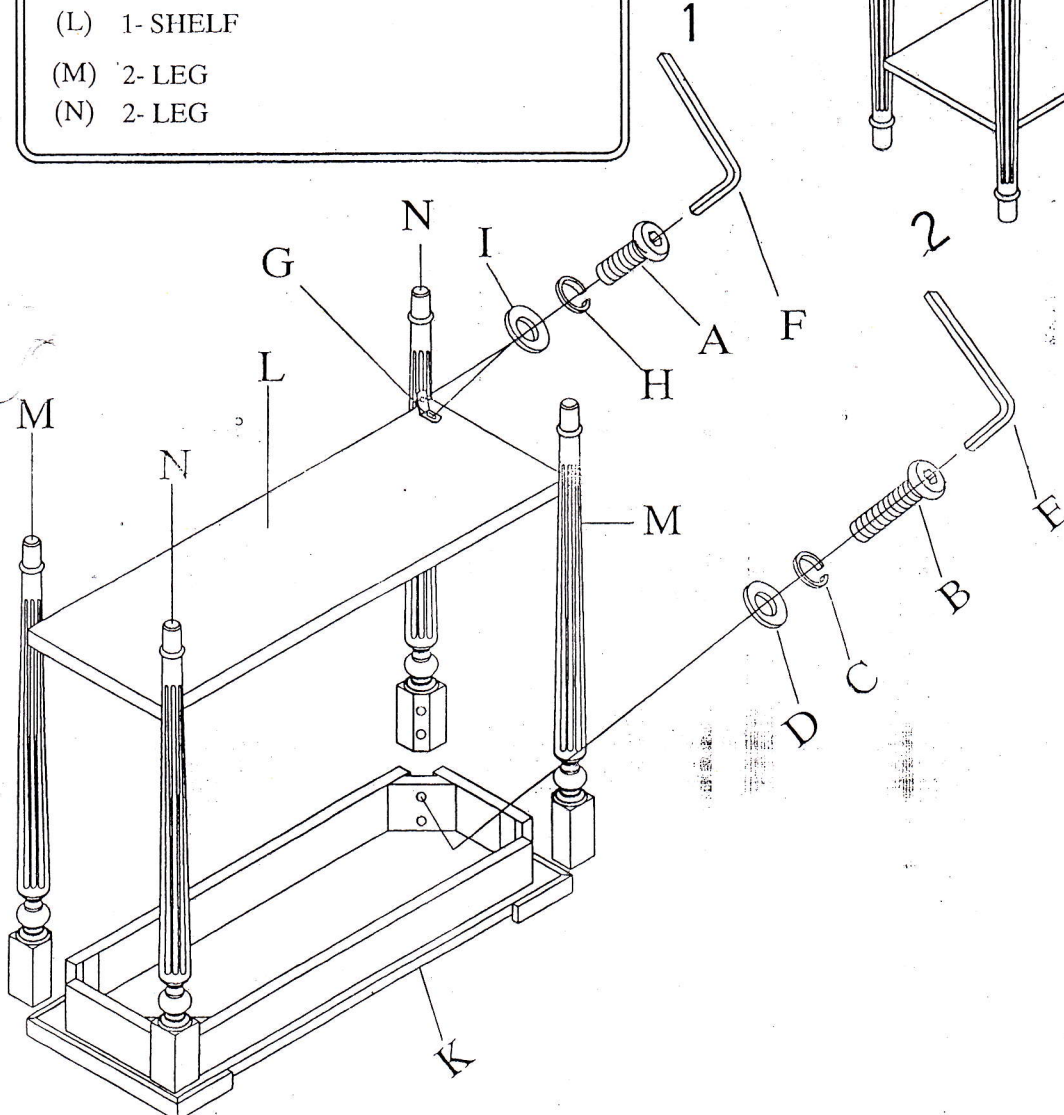
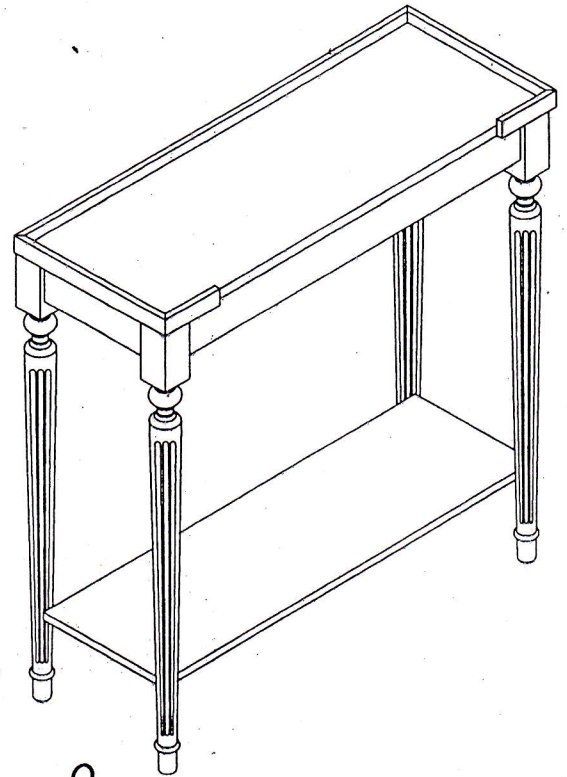
Assembly Instructions
Style Number 7036

SPECIALTY COMPANY

8200 SOUTH CHICAGO AVE., CHICAGO, IL 60617

PACKAGED

- (A) 8- Bolt $\text{Ø } 1/4" \times 5/8"$
- (B) 8- Bolt $\text{Ø } 5/16" \times 1-3/4"$
- (C) 8-Lock Washer $\text{Ø } 5/16"$
- (D) 8-Flat Washer $\text{Ø } 5/16" \times \text{Dia } 16\text{mm}$
- (E) 1-Allen Wrench $\text{Ø } 5/16"$
- (F) 1-Allen Wrench $\text{Ø } 1/4"$
- (G) 4- "L" Bracket
- (H) 8-Lock Washer $\text{Ø } 1/4"$
- (I) 8-Flat Washer $\text{Ø } 1/4" \times \text{Dia } 16\text{mm}$
- (K) 1- TOP
- (L) 1- SHELF
- (M) 2- LEG
- (N) 2- LEG



(*) Caution: DO NOT OVERTIGHTEN

In any correspondence regarding this product, please include the complete Butler identification number located on the underside of the product.

We hope this Console Table will be a useful and decorative addition to your home for years to come.