

# BUTLER

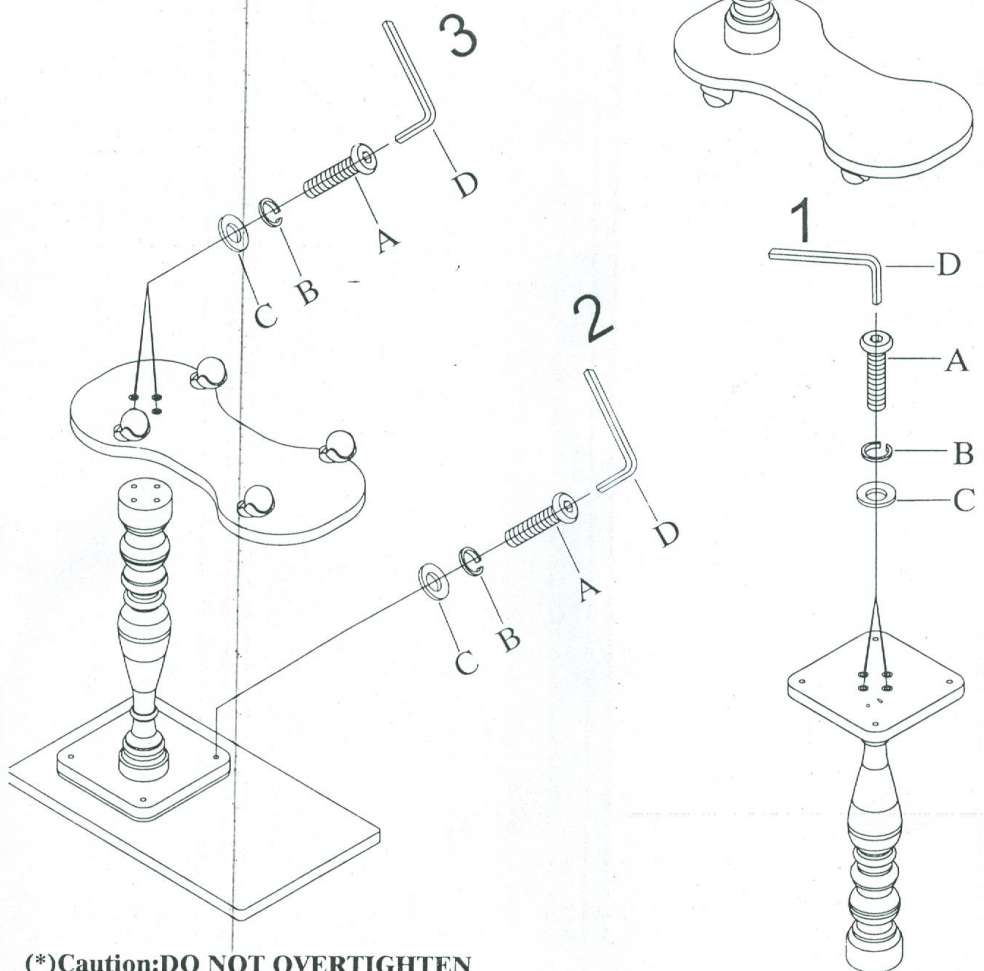
SPECIALTY COMPANY

8200 SOUTH CHICAGO AVE., CHICAGO, IL 60617

Assembly Instructions  
Style Number 7025

### PACKAGED

- |                    |                |
|--------------------|----------------|
| (A) 12-Bolt        | Ø5/16"×1"      |
| (B) 12-Lock Washer | Ø5/16"         |
| (C) 12-Flat Washer | Ø5/16"×Dia16mm |
| (D) 1-Allen Wrench | Ø5/16"         |



### (\*Caution:DO NOT OVERTIGHTEN

In any correspondence regarding this product, please include the complete Butler identification number located on the underside of the product.

*We hope this Table will be a useful and decorative addition to your home for years to come.*

Copyright © Butler Specialty Company, 10/09