

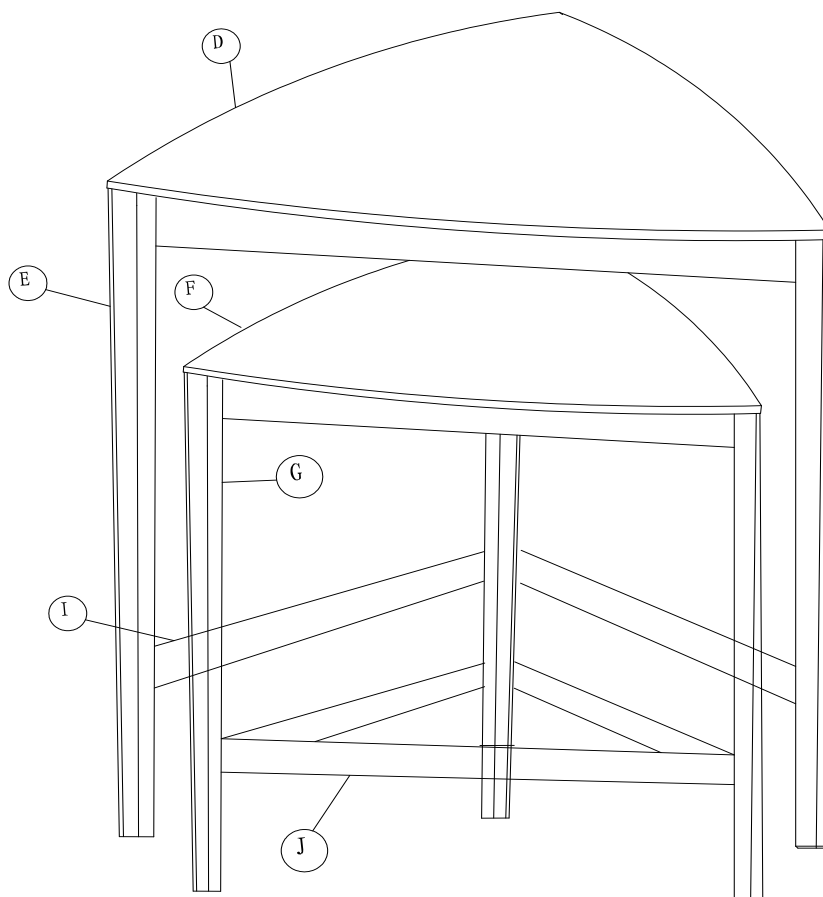
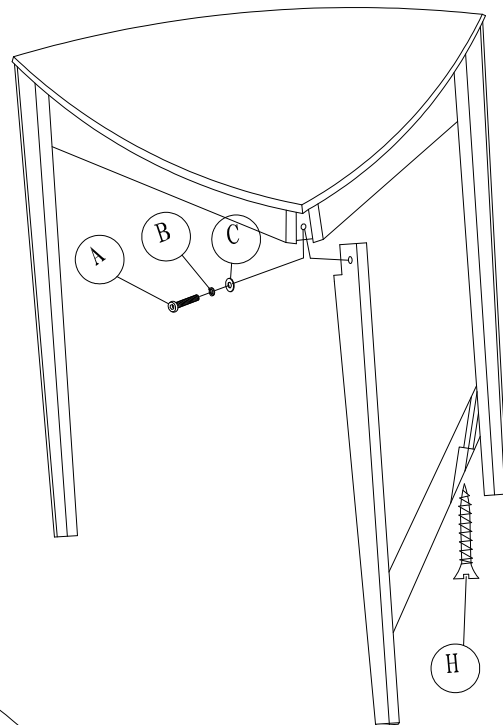
# BUTLER

*Assembly Instructions*  
*Style Number 7010*

**SPECIALTY COMPANY**  
**8200 SOUTH CHICAGO AVE. CHICAGO, IL 60617**

## PACKAGED

- |                                 |                          |
|---------------------------------|--------------------------|
| (A) 6-BOLT $\phi$ 1/4" * 1-3/4" | (F) 1 -Small Top         |
| (B) 6- Spring Washer            | (G) 3-Short Leg          |
| (C) 6-Lock Washer               | (H) 10-Screw $\phi$ 8*1" |
| (D) 1-BigTop                    | (I) 2-Long stretchers    |
| (E) 3-Long Leg                  | (J) 3-Short stretchers   |



**(\*) Caution: DO NOT OVERTIGHTEN.**

**In any correspondence regarding this product, please include the complete Butler identification number located on the underside of the product.**

*We hope this table will be a useful and decorative addition to your home for years to come.*

Copyright © Butler Specialty Company, 04/09