

# BUTLER

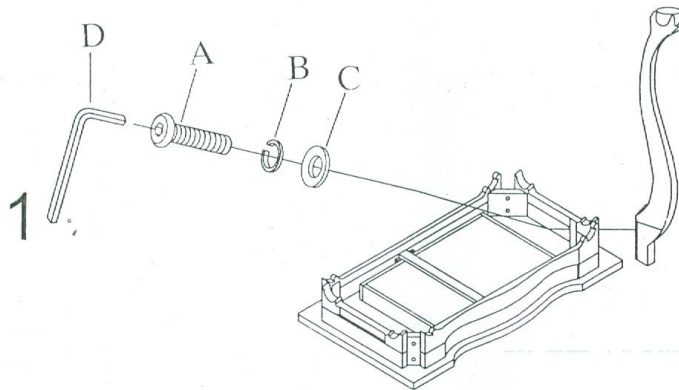
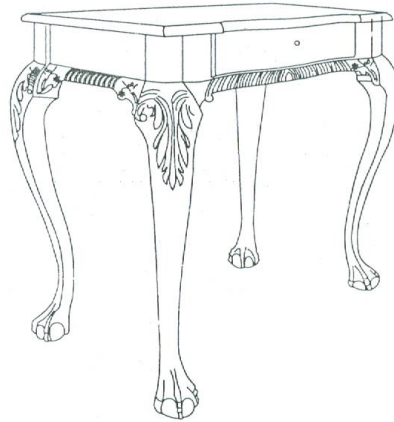
SPECIALTY COMPANY

8200 SOUTH CHICAGO AVE., CHICAGO, IL 60617

Assembly Instructions  
Style Number 6042

## PACKAGED

- |     |                |                |
|-----|----------------|----------------|
| (A) | 8- Bolt        | Ø5/16"*2"      |
| (B) | 8-Lock Washer  | Ø5/16"         |
| (C) | 8-Flat Washer  | Ø5/16"*Dia16mm |
| (D) | 1-Allen Wrench | Ø5/16"         |



### (\*Caution:DO NOT OVERTIGHTEN

In any correspondence regarding this product, please include the complete Butler identification number located on the underside of the product.

*We hope this Writing Desk will be a useful and decorative addition to your home for years to come.*

Copyright © Butler Specialty Company, 10/09