

BUTLER

Assembly Instructions
Style Number 6021

SPECIALTY COMPANY
8200 SOUTH CHICAGO AVE. CHICAGO, IL 60617

PACKAGED

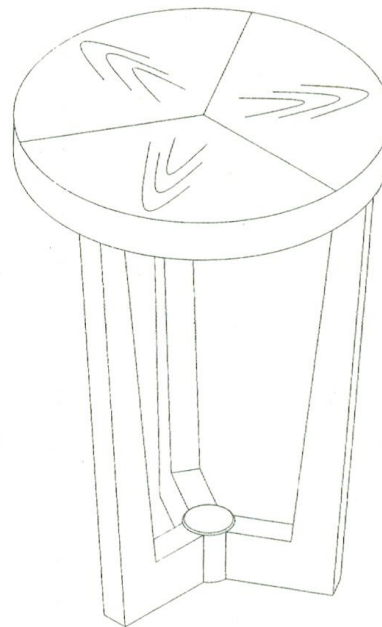
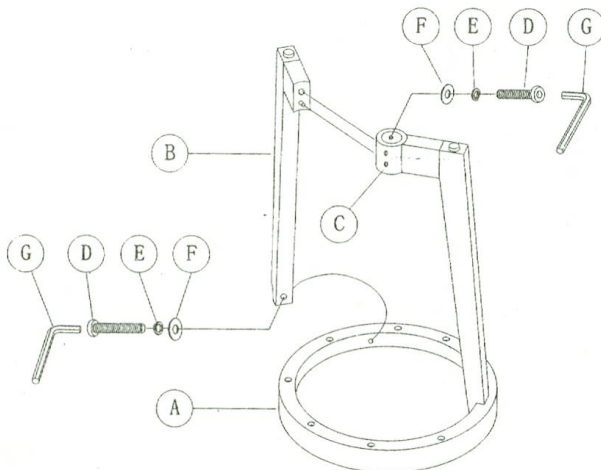
- | | |
|---------------------------------|----------------------|
| (A) 1 -Table Top | (E) 6 -Spring Washer |
| (B) 3 -Leg | (F) 6 - Flat Washer |
| (C) 1 -Column | (G) 1 -wrench |
| (D) 6 -Bolt $\phi 1/4"$ *1-1/2" | |

Read all instructions before starting assembly.

Step #1 Turn the Table Top(A)"upside down
"on a smooth surface such as a carpeted
floor.

Step #2 Use Bolt(D), Spring Washer(E), Flat
Washer(F) on to the Table Top(A).

Step #3 Use Bolt(D), Spring Washer(E), Flat
Washer(F) to attach the top of the Column
(C) onto the base of table .



(* Caution: DO NOT OVERTIGHTEN.

In any correspondence regarding this product, please include the complete Butler identification number located on the underside of the product.

We hope this table will be a useful and decorative addition to your home for years to come.

Copyright © Butler Specialty Company, 04/09