

# BUTLER

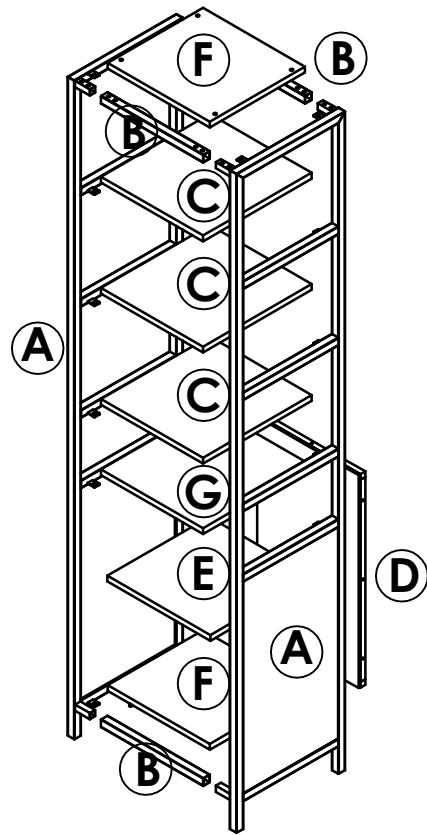
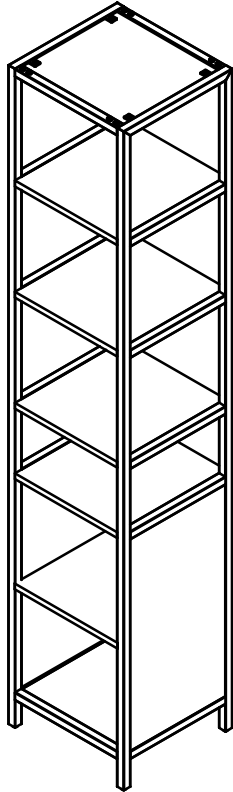
SPECIALTY COMPANY

Est. 1930

Assembly Instructions

5557419

Tall Bookcase Narrow



ITEM	DESCRIPTION	QUANTITY
A	Side Frame	2
B	Stretcher	4
C	Shelf Panel	3
D	Back Panel	1
E	Adjustable shelf Panel	1
F	Top & Bottom Panel	2
G	Middle Panel	1

## hardware



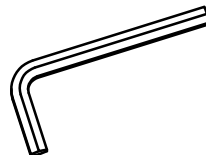
H1 x 40  
Bolts m6 x 15 mm



H2 x 8  
Bolts m6 x 30 mm



H3 x 48  
Spring Washers  
m6 - Ø13



H4 x 1  
Allen key #4



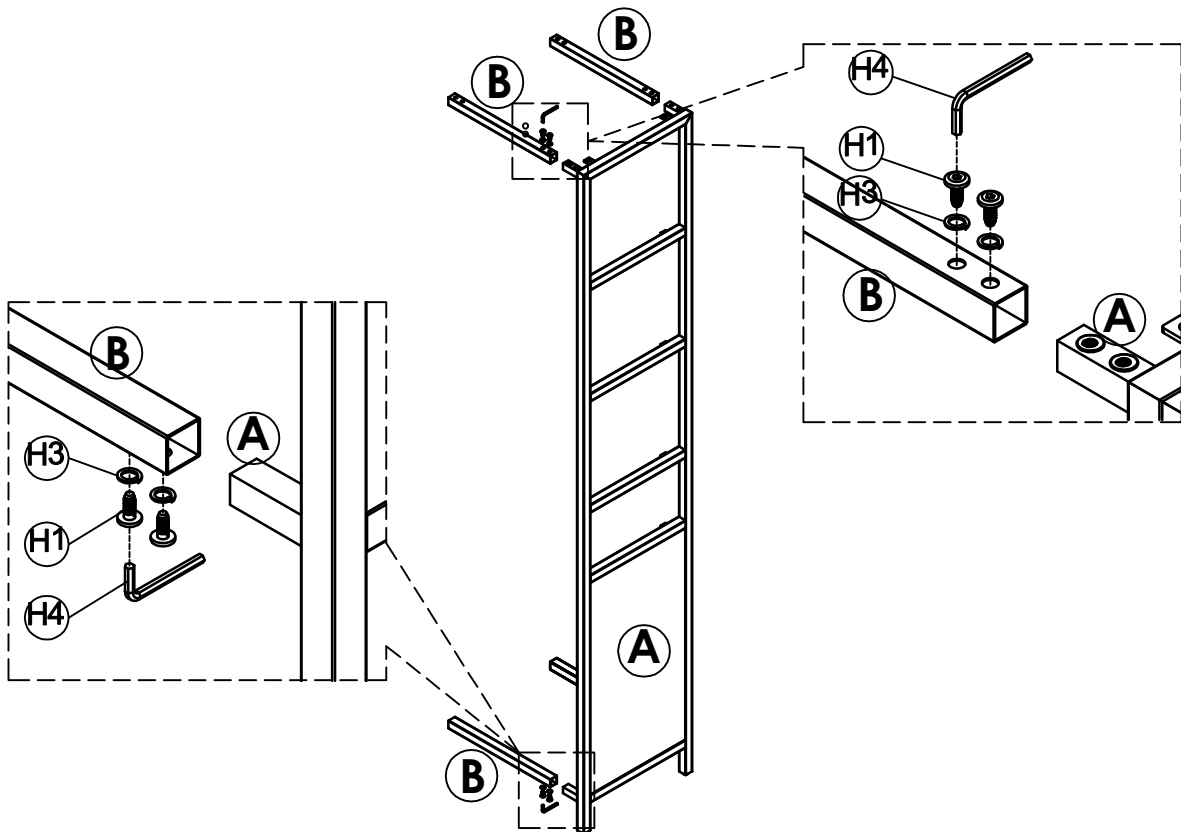
H5 x 4  
Shelf support



H6 x 8  
Flat Washers  
m6 - Ø13

### STEP 1

Attach Stretcher ( B ) to Side Frame ( A ) then secure with the bolts ( H1 ) , and Spring Washers ( H3 ) . Tighten the bolts ( H1 ) with provided Allen Key ( H4 ) . Repeat this step to attach the remaining Side Frame ( A )



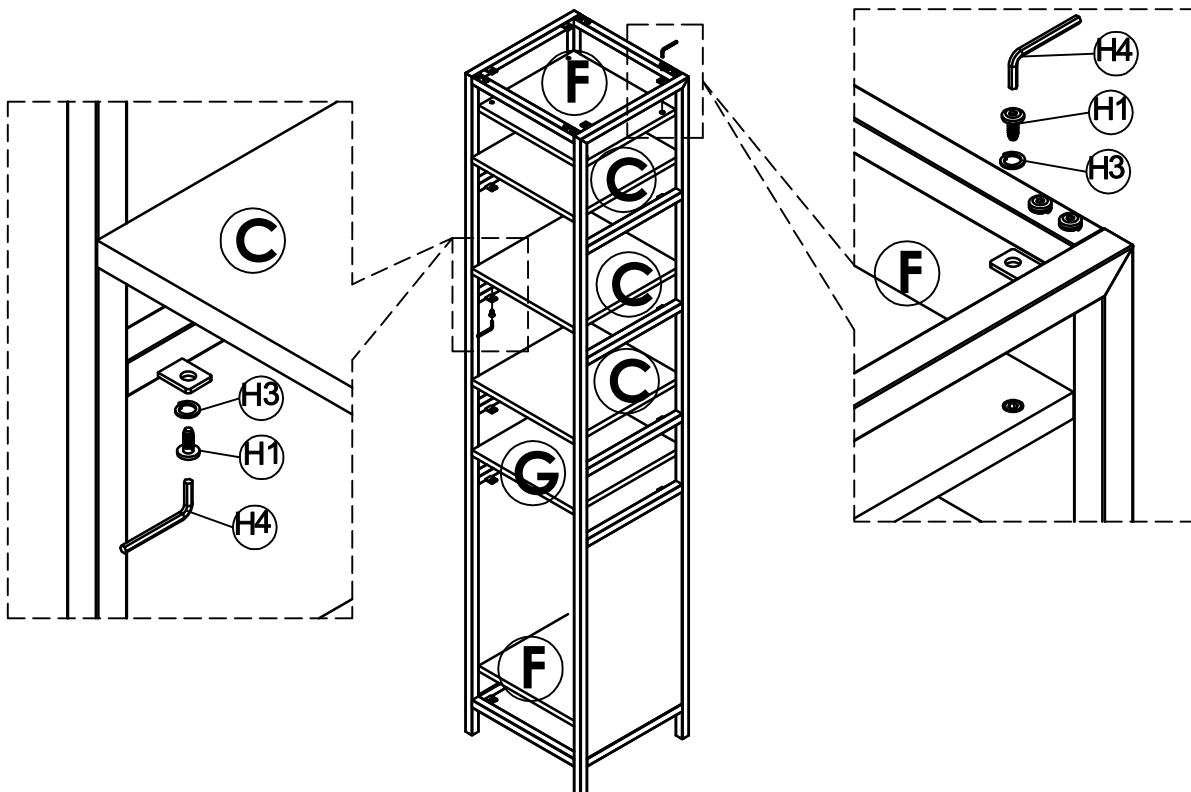
### STEP 2

Attach Shelf Panel ( C ) , Top & Bottom Panel ( F ) and Middle Panel ( G ) as illustrated below to the Assembly, then secure with the bolts ( H1 ) and Spring Washers ( H3 ) . Tighten the bolts ( H1 ) with provided Allen Key ( H4 )

**Note :** The Uppermost Shelf Panel is upside down, bolts from the top

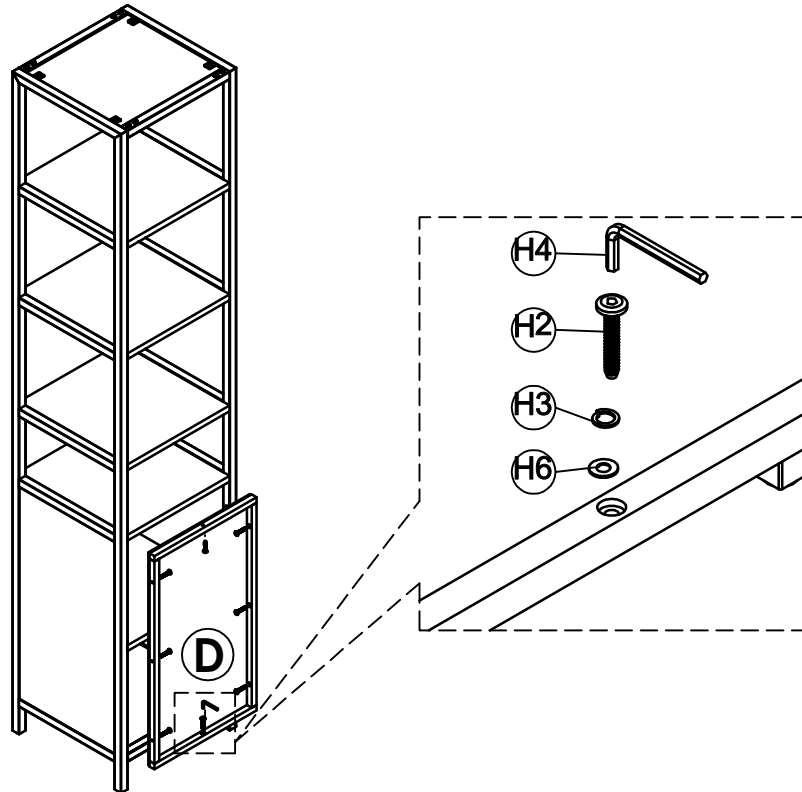
The other Shelf Panel is bolt from bottom.

Middle Panel ( G ) have bolt holes for Back Panel ( D ) , place that holes on the back



**STEP 3**

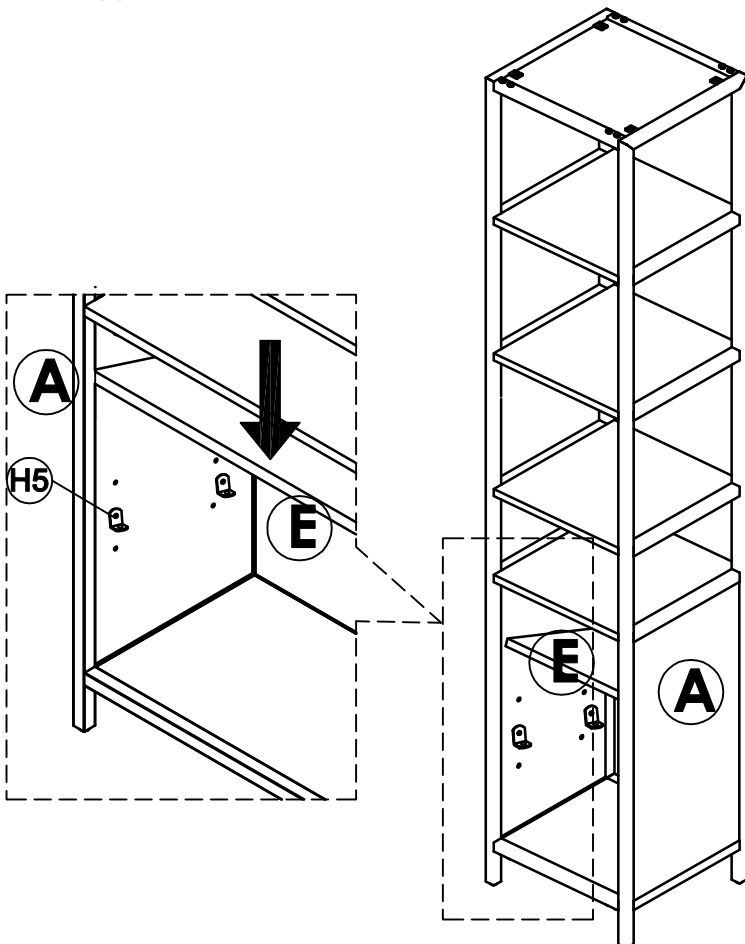
Attach Back Panel (D) to the Assembly then secure with the bolts (H2) , Flat Washer (H6) and Spring Washers (H3) Tighten the bolts (H2) with provided Allen Key (H4) .

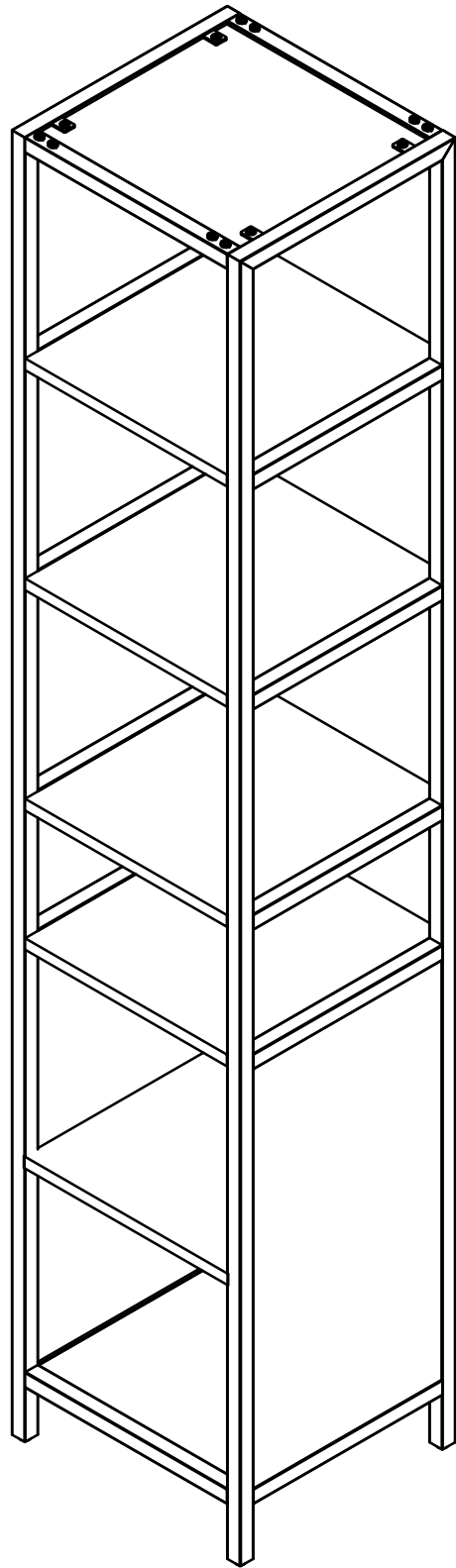


**STEP 4**

Insert Shelf Support (H5) into the holes on the panel of Side Frame (A) . Then lay the Adjustable Shelf Panel (E) onto the attached Shelf Support (H5) .

**NOTE :** The height of Adjustable Shelf Panel (E) can be adjusted by removing then inserting Shelf Support into another holes on the Side Frame (A)





**Congratulations**

**Assembly complete, Your Tall Bookcase is ready to use**

(\*) Caution : DO NOT OVERTIGHTEN

In any correspondence regarding this product, please include the complete Butler identification number located on the underside of the product.

We hope this product will be a useful and decorative addition to your home for years to come

Copyright© Butler Specialty Company, 05 / 21