

BUTLER

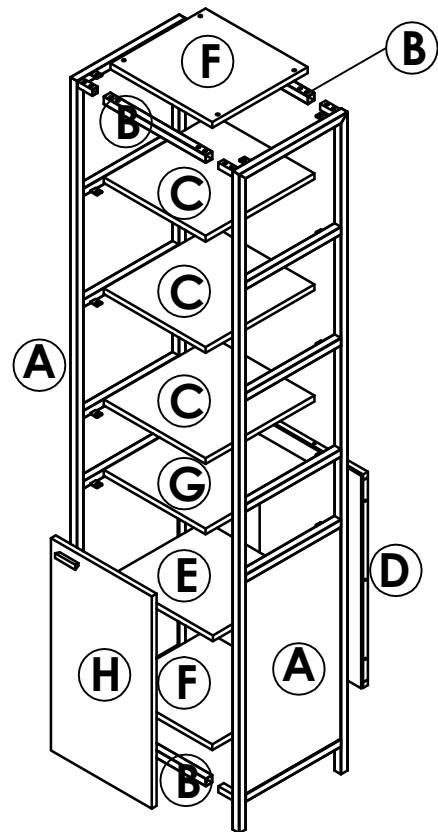
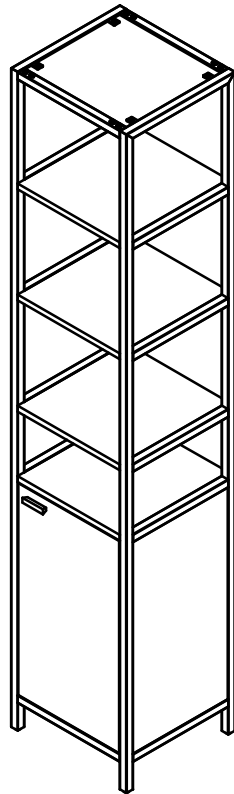
SPECIALTY COMPANY

EST. 1930

Assembly Instructions

5556419

Tall Bookcase Narrow



ITEM	DESCRIPTION	QUANTITY
A	Side Frame	2
B	Stretcher	4
C	Shelf Panel	3
D	Back Panel	1
E	Adjustable Shelf Panel	1
F	Top & Bottom Panel	2
G	Middle Panel	1
H	Door	1

hardware



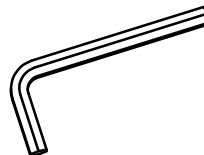
H1 x 40
Bolts m6 x 15 mm



H2 x 8
Bolts m6 x 30 mm



H3 x 48
Spring Washers
m6 - Ø13



H4 x 1
Allen key #4



H5 x 4
Shelf support



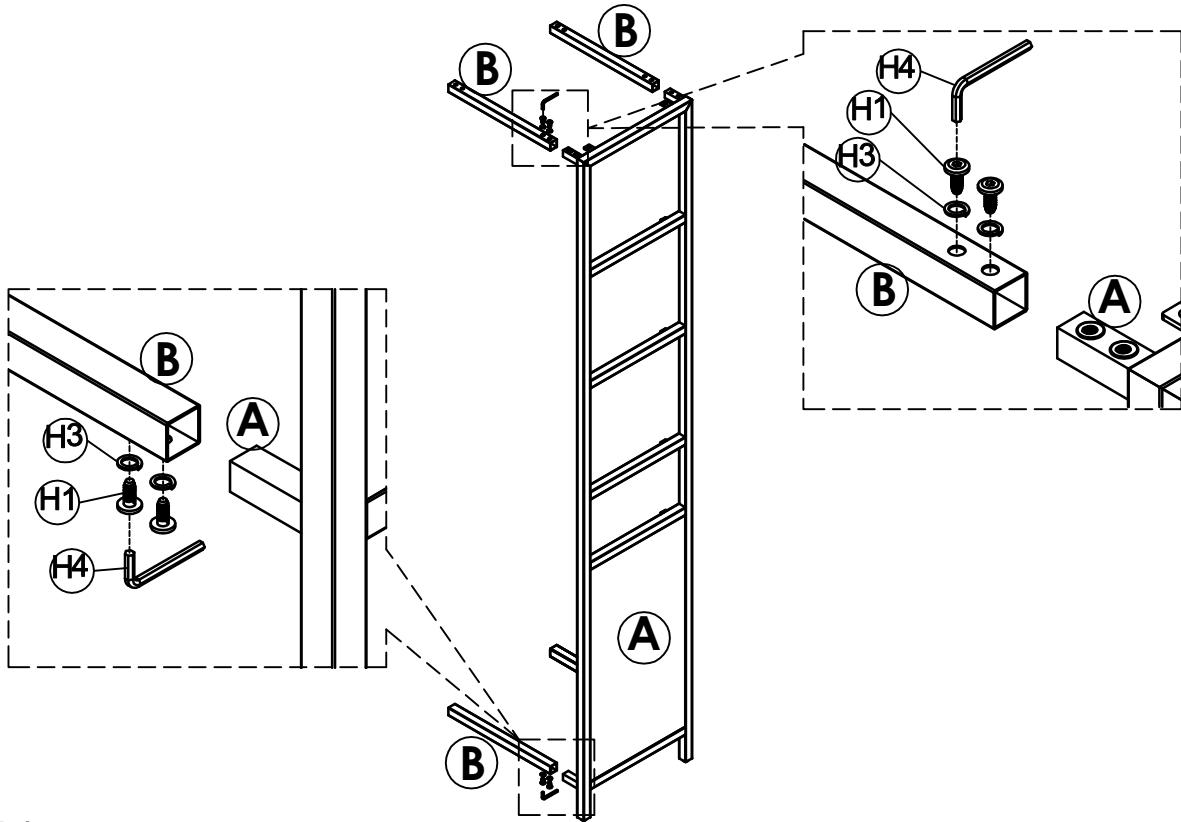
H6 x 8
Flat Washers
m6 - Ø13



Screw Driver
(NOT INCLUDED)

STEP 1

Attach Stretcher (B) to Side Frame (A) then secure with the bolts (H1) , and Spring Washers (H3) . Tighten the bolts (H1) with provided Allen Key (H4) . Repeat this step to attach the remaining Side Frame (A) .



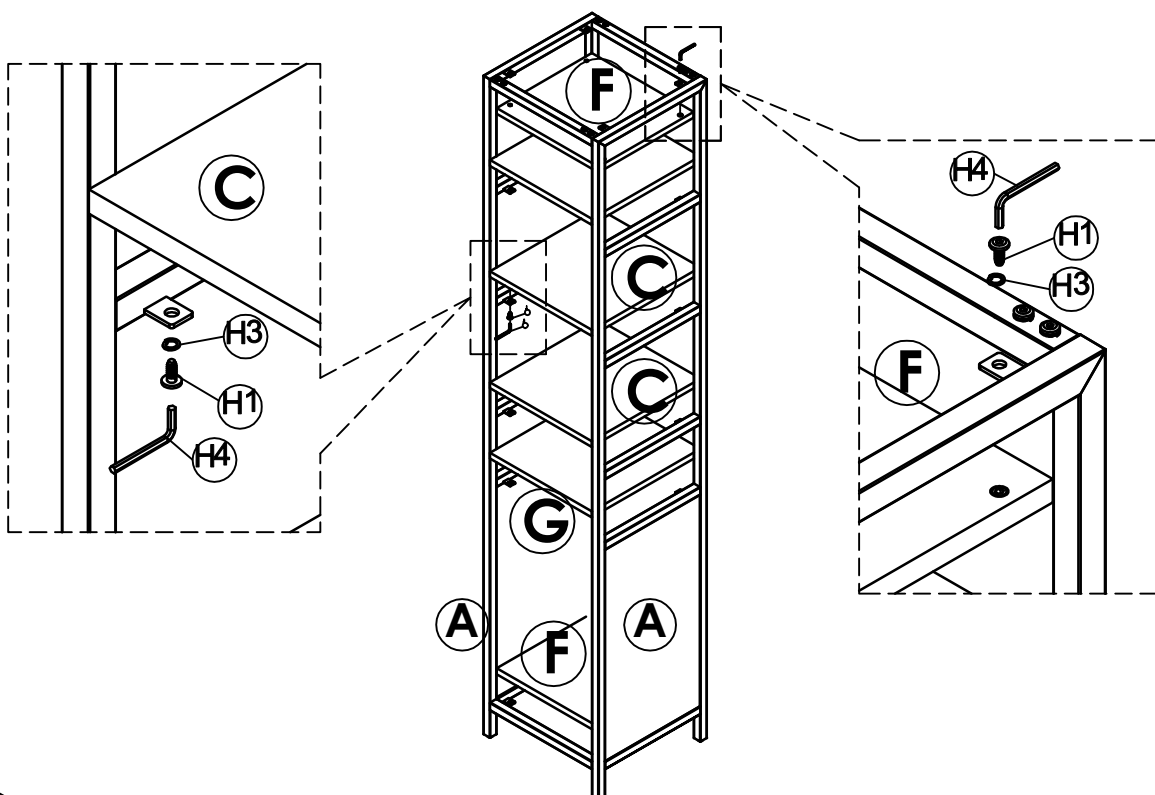
STEP 2

Attach Shelf Panel (C) , Top & Bottom Panel (F) and Middle Panel (G) as illustrated below to the Assembly, then secure with the bolts (H1) and Spring Washer (H3) . Tighten the bolts (H1) with provided Allen Key (H4) .

NOTE : The Uppermost Shelf Panel is upside down, bolts from the top.

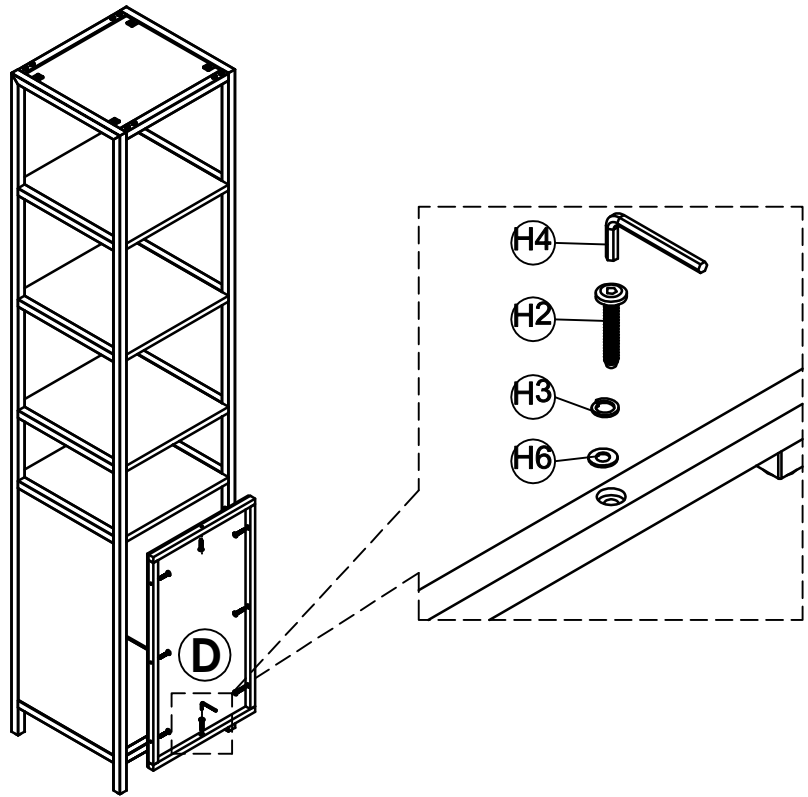
the other Shelf Panel is bolts from bottom

Middle Panel (G) have bolt holes for Back Panel (D) , place that holes on the back.



STEP 3

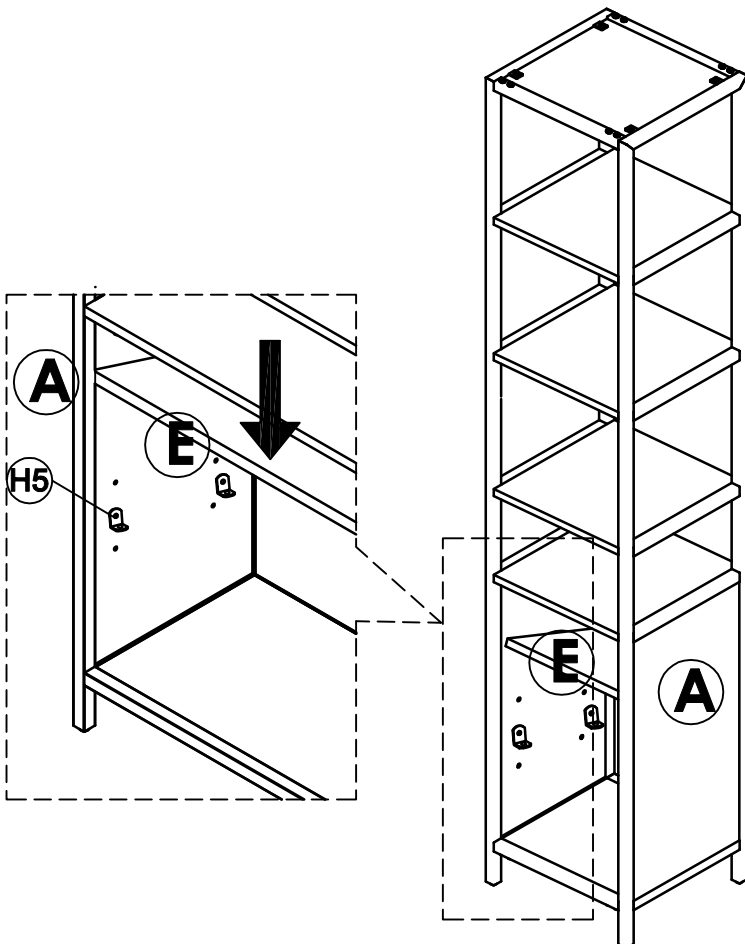
Attach Back Panel (D) to the Assembly then secure with the bolts (H2) , Flat Washer (H6) and Spring Washers (H3) Tighten the bolts (H2) with provided Allen Key (H4) .



STEP 4

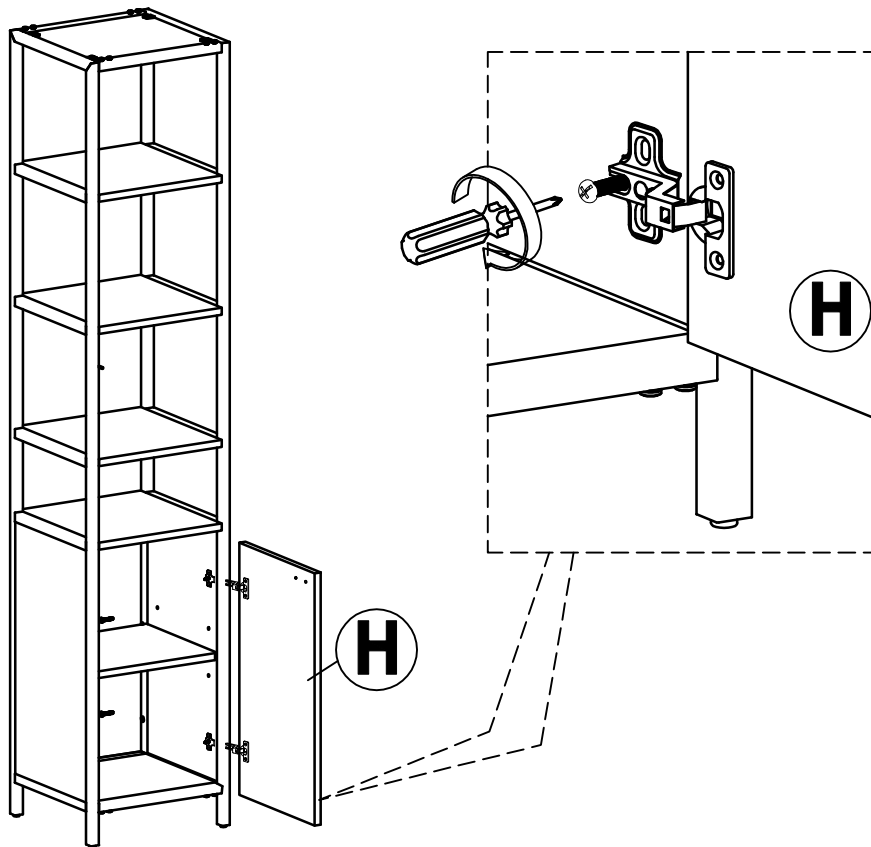
Insert Shelf Support (H5) into the holes on the panel of Side Frame (A) . Then lay the Adjustable Shelf Panel (E) onto the attached Shelf Support (H5) .

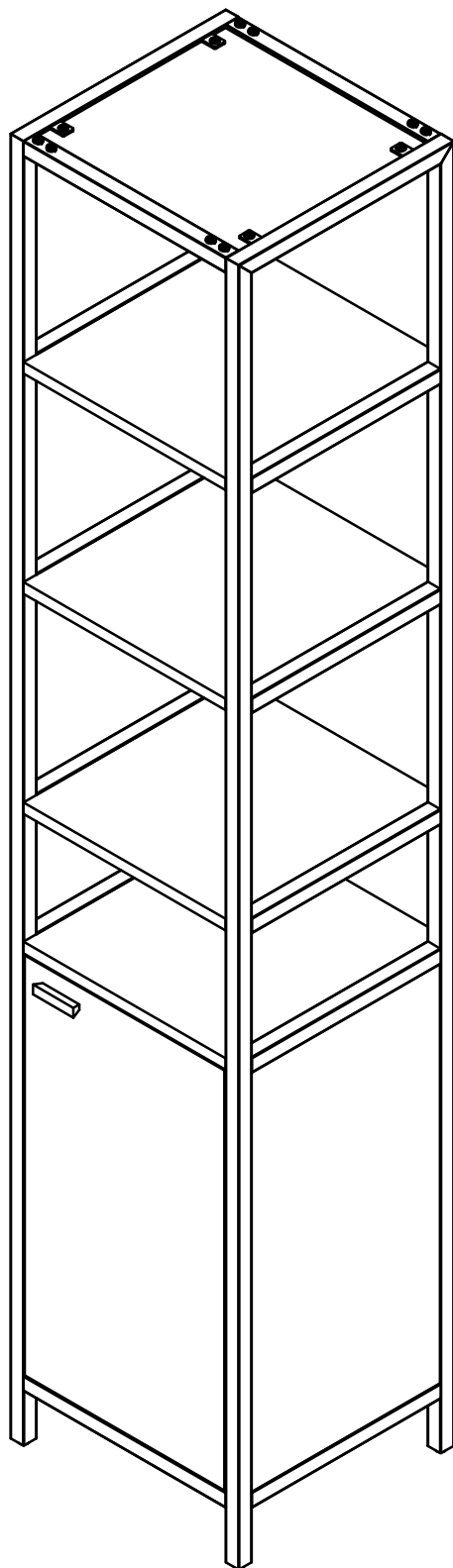
NOTE : The height of Adjustable Shelf Panel (E) can be adjusted by removing then inserting Shelf Support into another holes on the Side Frame (A)



STEP 5

Attach the Door (H) to the assembly by inserting door hinge part which is attached to the Door (H) into the screw neck on the door hinge part which is attached to the Side Frame (A) .
Tighten the screw with Screw Driver (NOT INCLUDED)





Congratulations

Assembly complete, Your Tall Bookcase is ready to use

(*) Caution : DO NOT OVERTIGHTEN

In any correspondence regarding this product, please include the complete Butler identification number located on the underside of the product.

We hope this product will be a useful and decorative addition to your home for years to come

Copyright© Butler Specialty Company, 05 / 21