

BUTLER

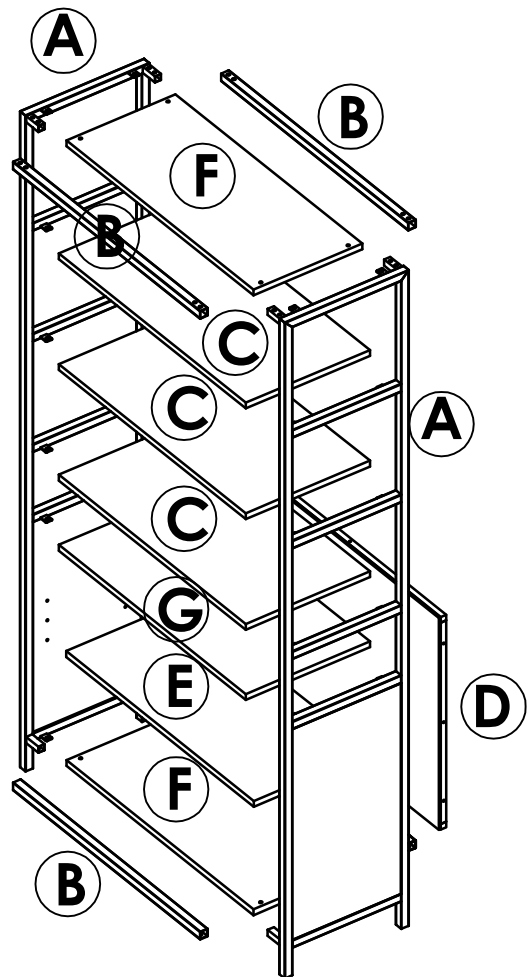
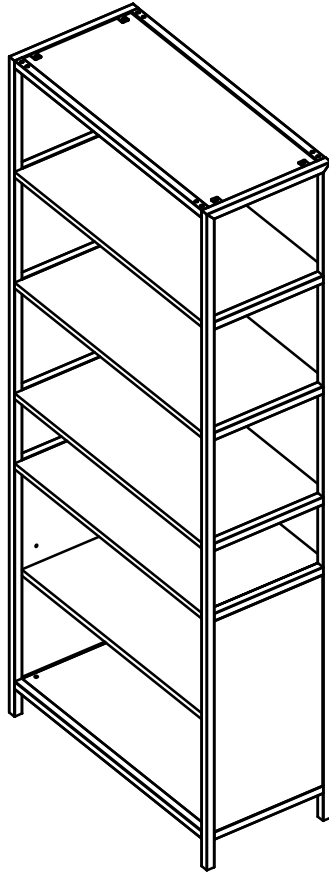
SPECIALTY COMPANY

EST. 1930

Assembly Instructions

5554419

Tall Bookcase



ITEM	DESCRIPTION	QUANTITY
A	Side Frame	2
B	Stretcher	4
C	Shelf Panel	3
D	Back Panel	1
E	Adjustable Shelf Panel	1
F	Top & Bottom Panel	2
G	Middle Panel	1

hardware



H1 x 40
Bolts m6 x 15 mm



H2 x 12
Bolts m6 x 30 mm



H3 x 52
Spring Washers
m6 - Ø13



H4 x 1
Allen Key #4



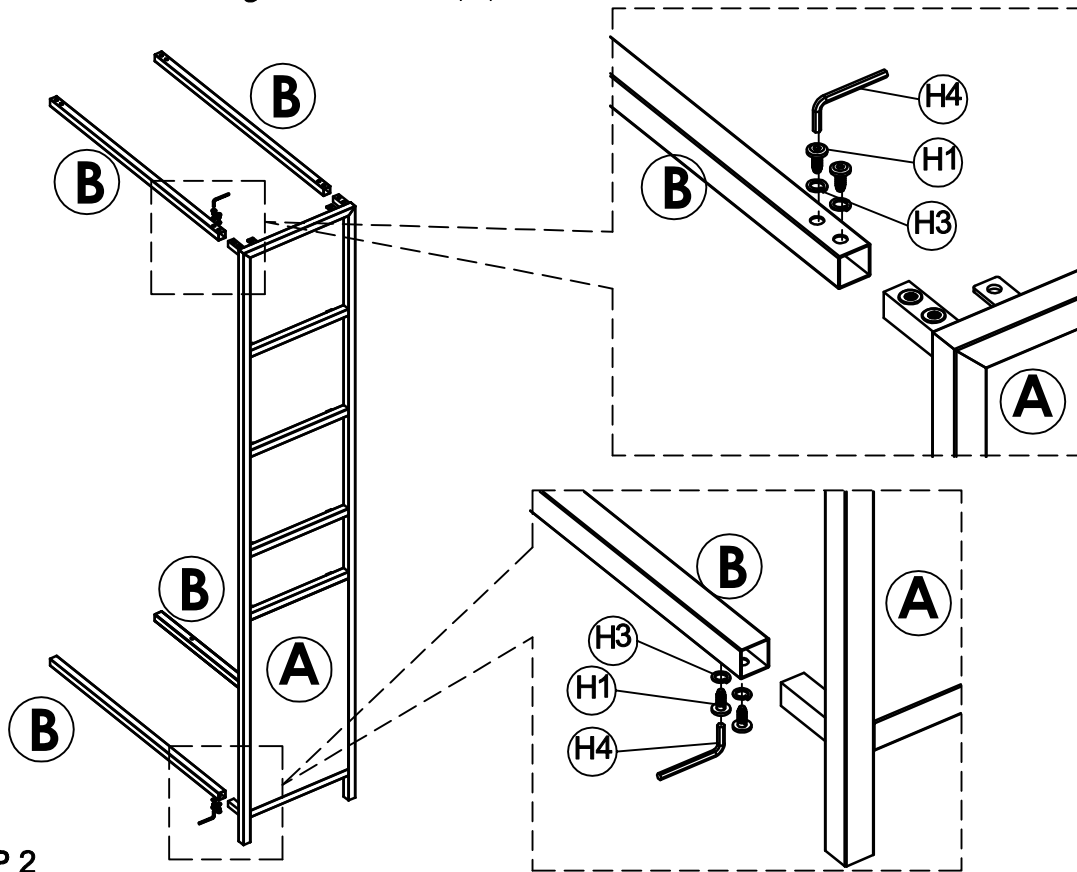
H5 x 4
Shelf Support



H6 x 12
Flat Washers
m6 - Ø13

STEP 1

Attach Stretcher (B) to Side Frame (A) then secure with the bolts (H1) , and Spring Washers (H3) . Tighten the bolts (H1) with provided Allen Key (H4) . Repeat this step to attach the remaining Side Frame (A) .



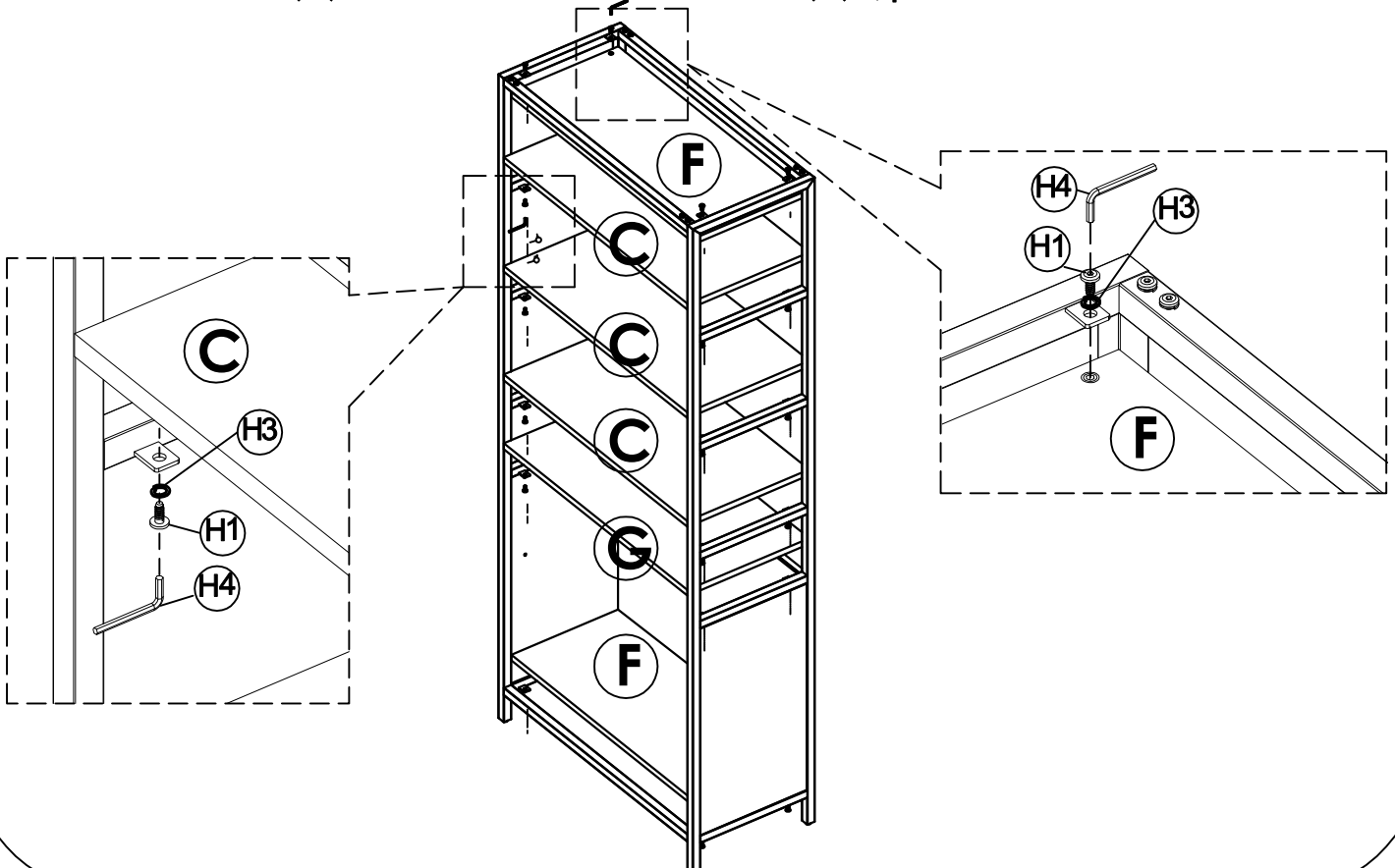
STEP 2

Attach Shelf Panel (C) , Top & Bottom Panel (F) and Middle Panel (G) as illustrated below to the Assembly then secure with the bolts (H1) and Spring Washers (H3) . Tighten the bolts (H1) with provided Allen Key (H4)

Note : The Uppermost Shelf Panel is upside down, bolts from the top

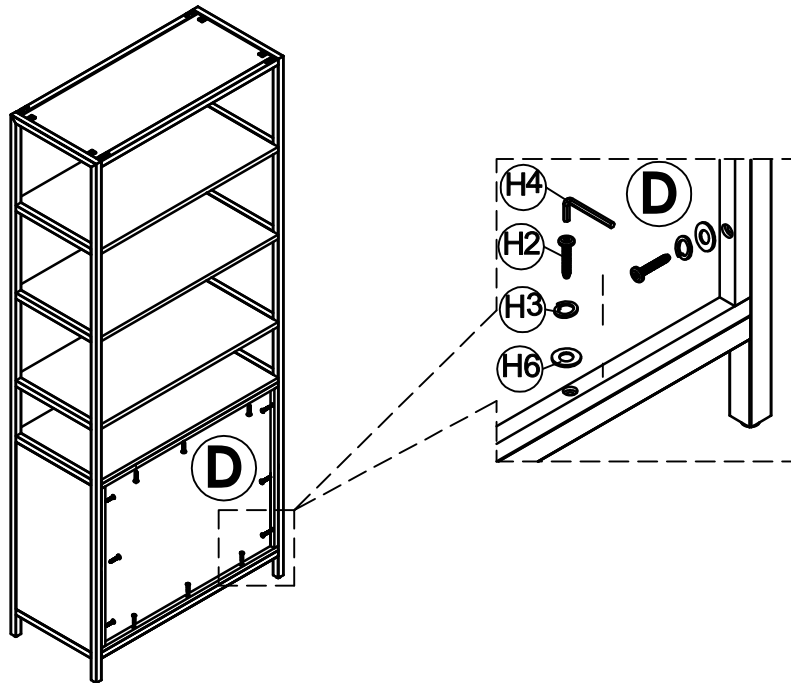
The other Shelf Panel is bolt from bottom.

Middle Panel (G) have bolt holes for Back Panel (D) , place that holes on the back.



STEP 3

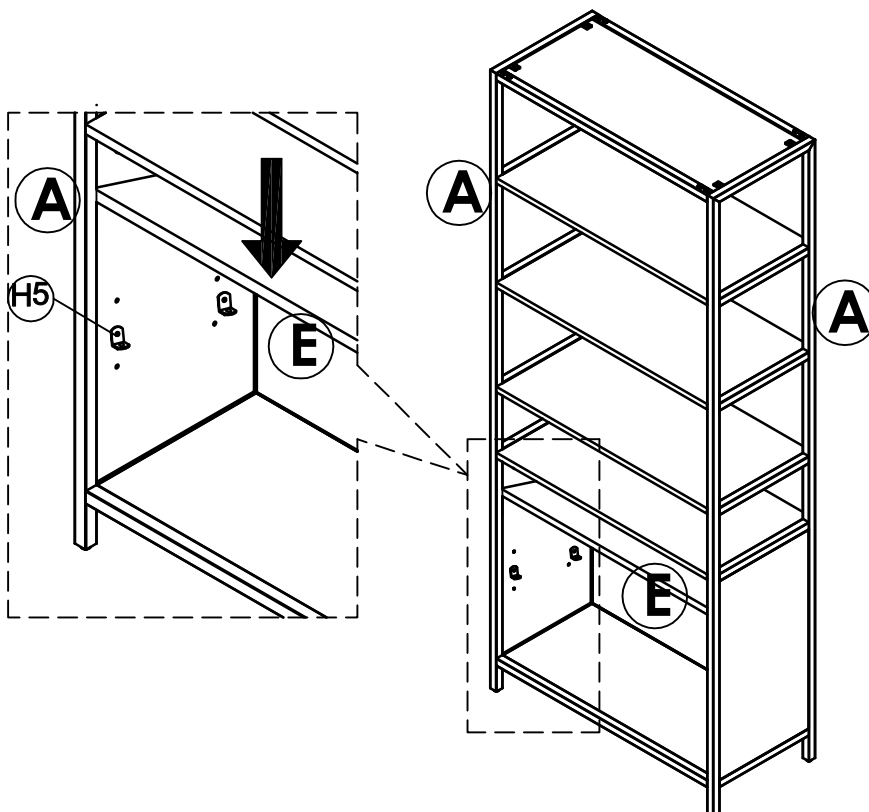
Attach Back Panel (D) to the Assembly then secure with the bolts (H2) , Flat Washer (H6) and Spring Washers (H3) Tighten the bolts (H2) with provided Allen Key (H4) .

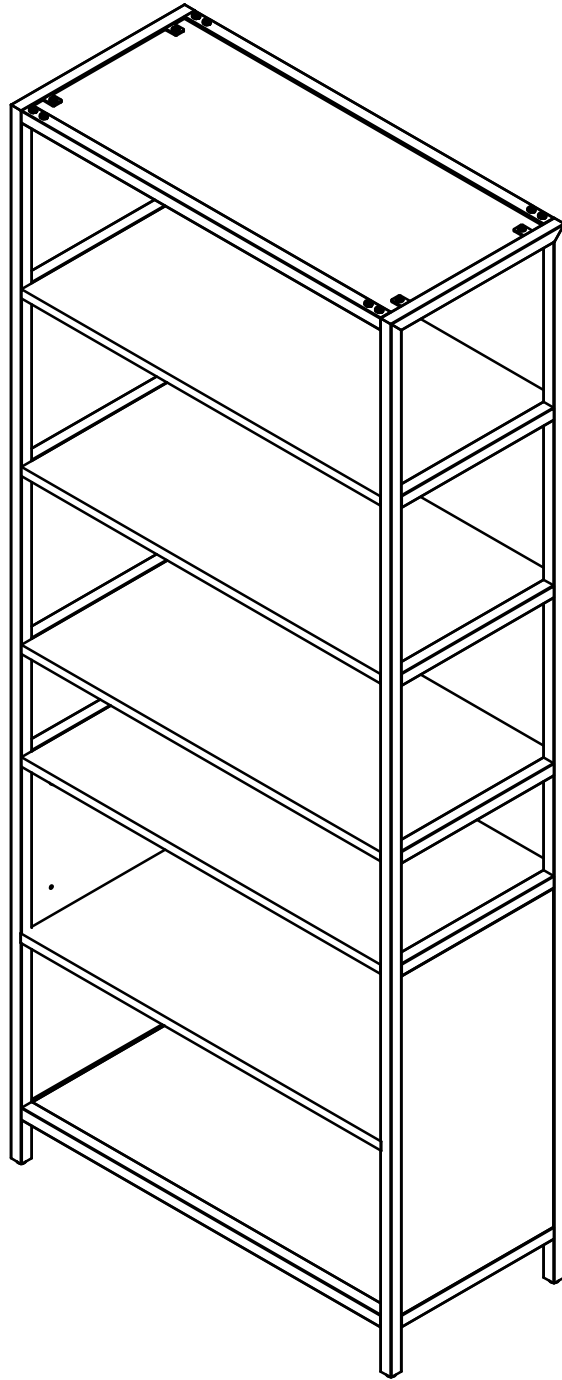


STEP 4

Insert Shelf Support (H5) into the holes on the panel of Side Frame (A) . Then lay the Adjustable Shelf Panel (E) onto the attached Shelf Support (H5) .

NOTE : The height of Adjustable Shelf Panel (E) can be adjusted by removing then inserting Shelf Support into another holes on the Side Frame (A)





Congratulations

Assembly complete, Your Tall Bookcase is ready to use

(*) Caution : DO NOT OVERTIGHTEN

In any correspondence regarding this product, please include the complete Butler identification number located on the underside of the product.

We hope this product will be a useful and decorative addition to your home for years to come

Copyright© Butler Specialty Company, 05 / 21