

BUTLER

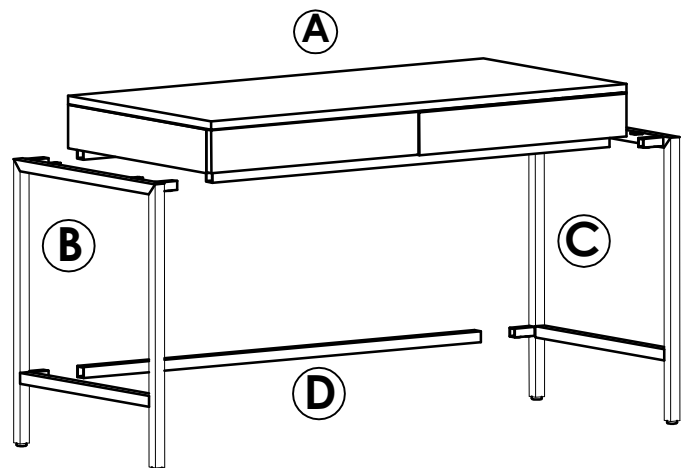
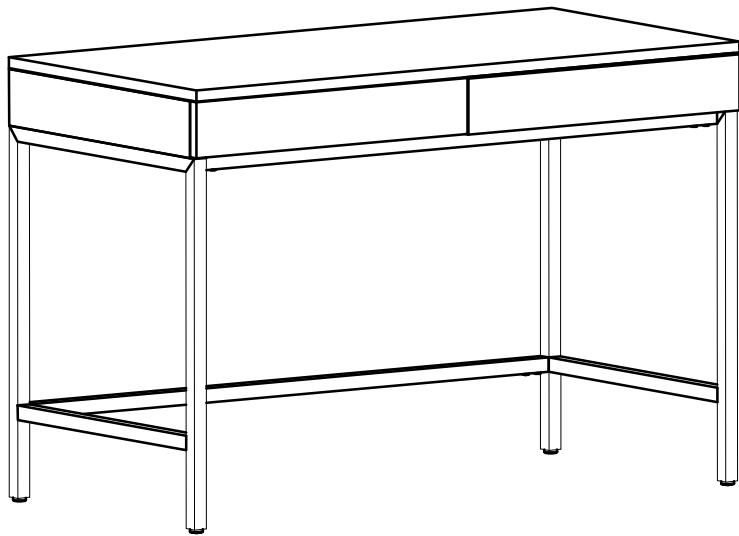
Assembly Instructions

5521054

Desk

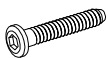
SPECIALTY COMPANY

8200 SOUTH CHICAGO AVE. CHICAGO, IL 60617



ITEM	DESCRIPTION	QUANTITY
A	Table Top	1
B	Left Leg	1
C	Right Leg	1
D	Stretcher	1

hardware



H1 x 16
bolts m6 x 15 mm



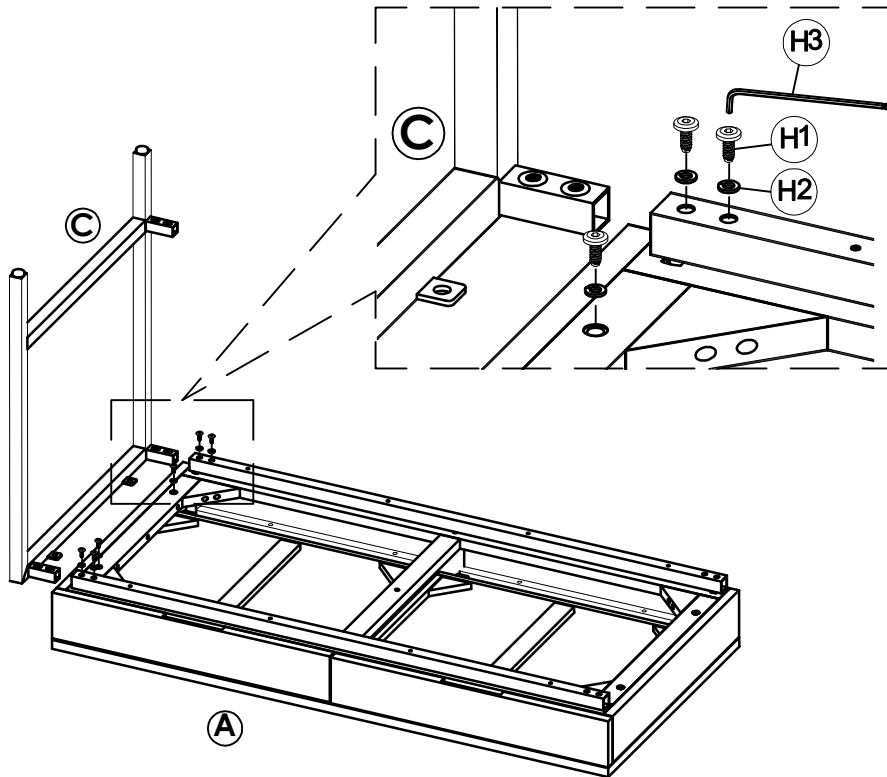
H2 x 16
spring washers



H3 x 1
Allen key #4

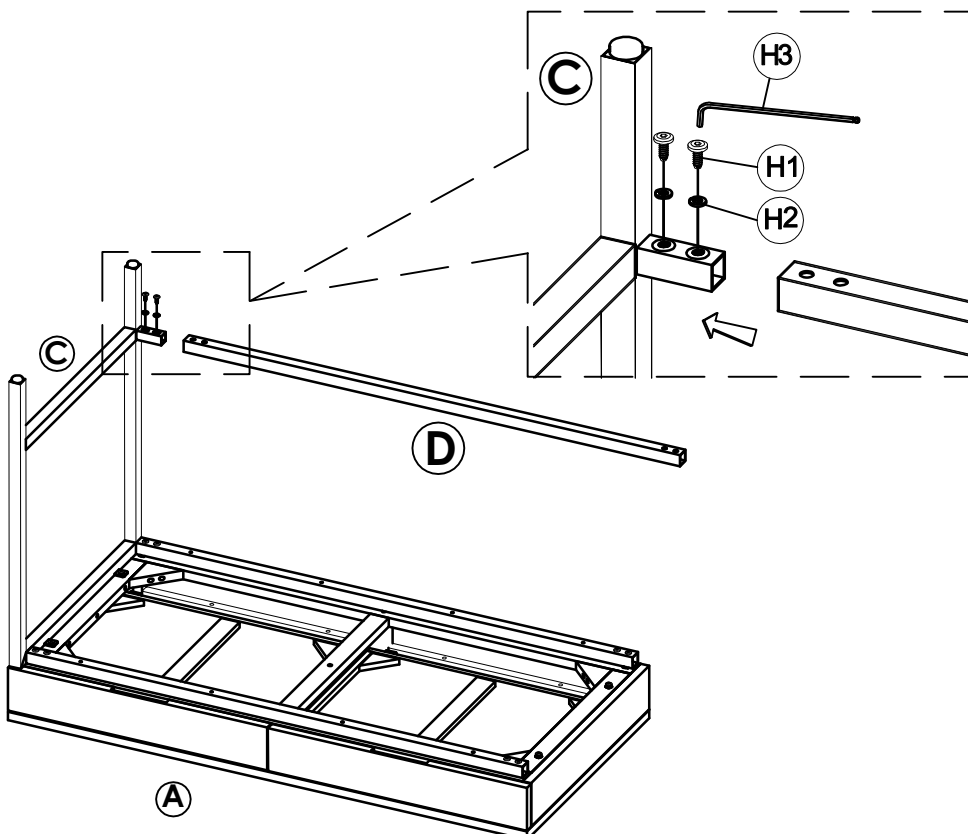
STEP 1

Lay the Table Top (A) up side down . Attach Right Leg (C) to Table Top (A) then secure with the bolts (H1) , and Spring Washers (H2) . Tighten the bolts (H1) with provided Allen Key (H3) .



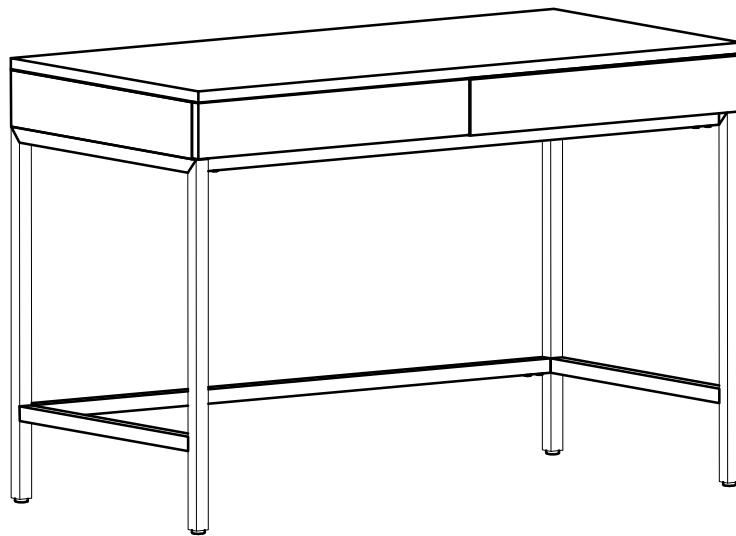
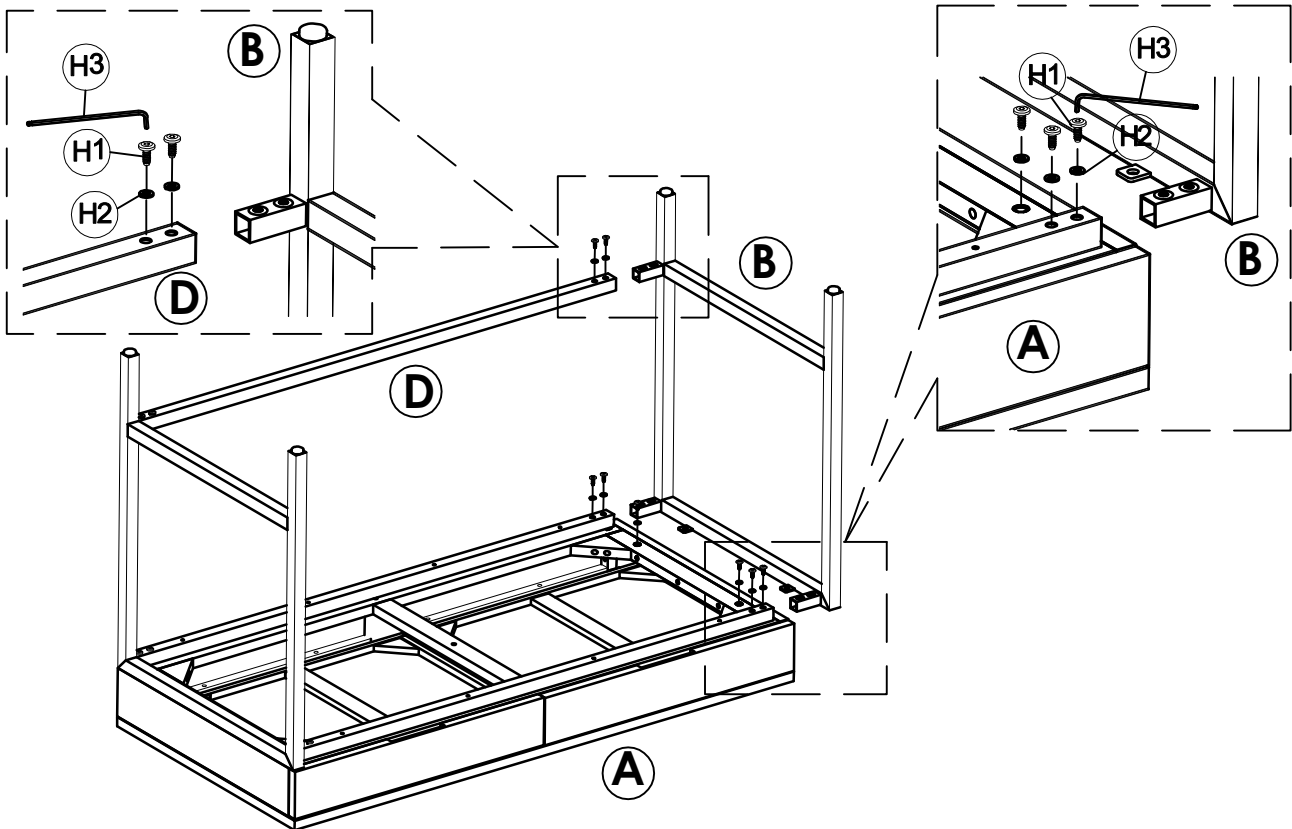
STEP 2

Attach Stretcher (D) to Right Leg (C) then secure with the bolts (H1) , and Spring Washers (H2) . Tighten the bolts (H1) with provided Allen Key (H3)



STEP 3

Attach Left Leg (B) to Table Top (A) and Stretcher (D) then secure with the bolts (H1) , and Spring Washers (H2) . Tighten the bolts (H1) with provided Allen Key (H3) .



Congratulations
Assembly complete, Your Desk is ready to use

(*) Caution : DO NOT OVERTIGHTEN

In any correspondence regarding this product, please include the complete Butler identification number located on the underside of the product.

We hope this product will be a useful and decorative addition to your home for years to come

Copyright© Butler Specialty Company, 11 / 20