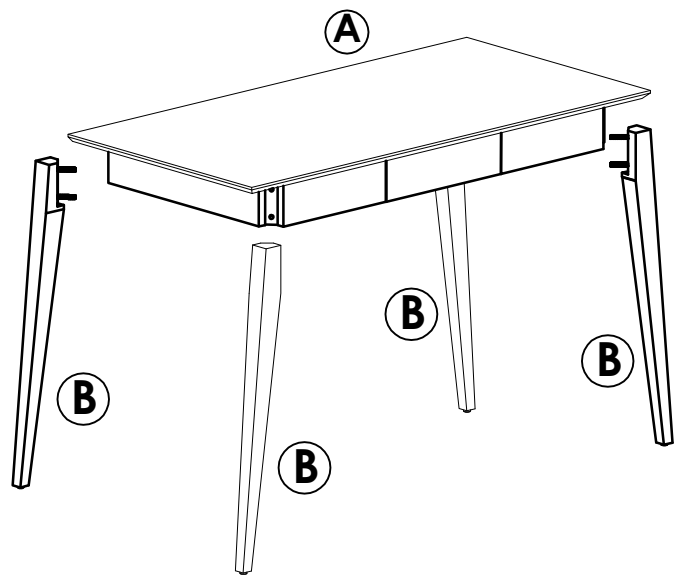


BUTLER

SPECIALTY COMPANY
8200 SOUTH CHICAGO AVE. CHICAGO, IL 60617

Assembly Instructions
5520312
Desk



ITEM	DESCRIPTION	QUANTITY
A	Table Top	1
B	Leg	4

hardware



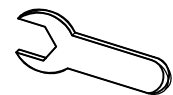
H1 x 8
Hex Nut M8



H2 x 8
flat washers M8



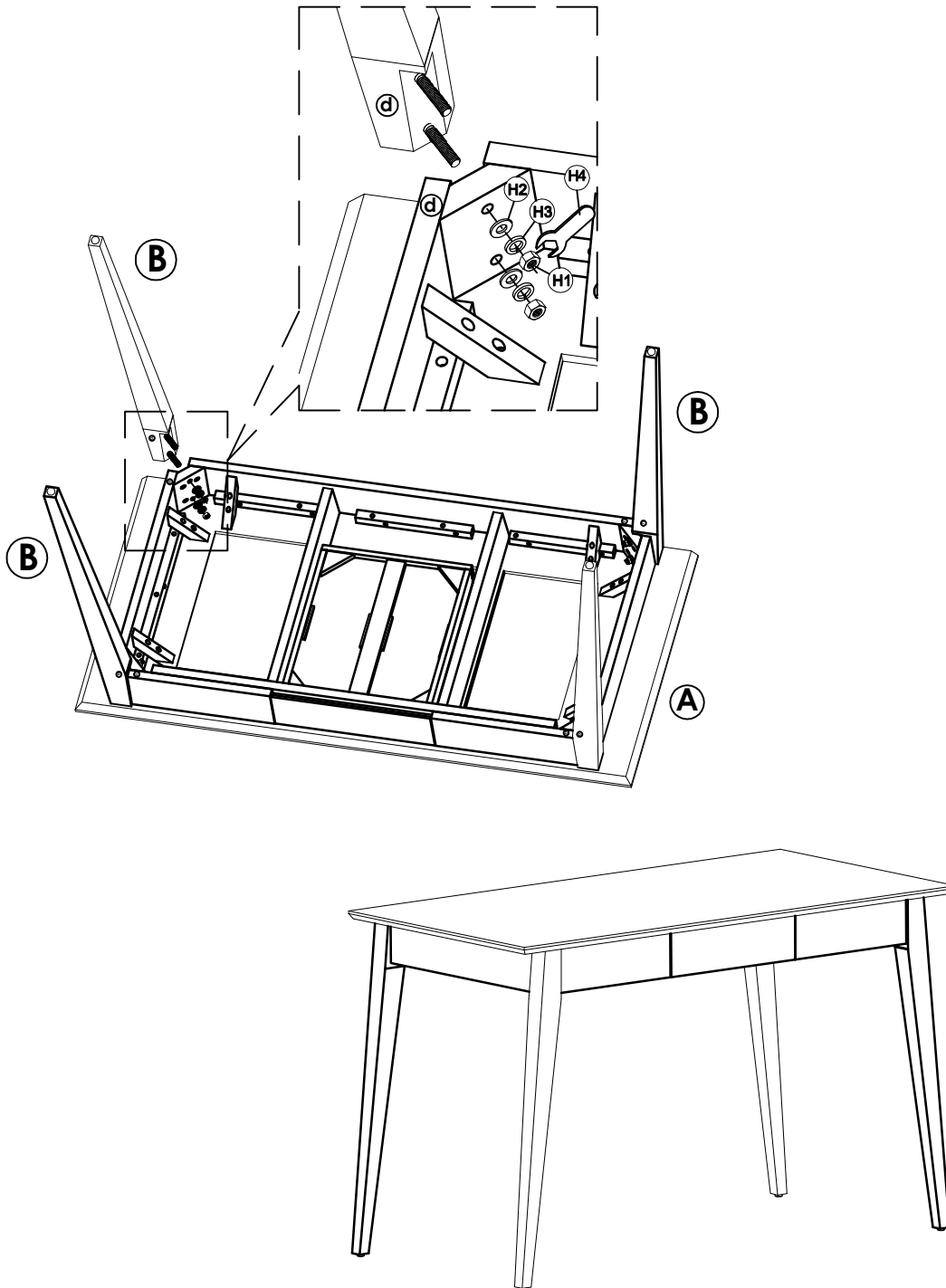
H3 x 8
spring washers



H4 x 1
Wrench

STEP

Lay the Table Top (A) up side down . Attach Leg (B) to Table Top (A) then secure with Hex Nut (H1) , Flat Washers (H2) and Spring Washers (H3) . Tighten the Hex Nut (H1) with provided Wrench (H4)



Congratulations
Assembly complete, Your Desk is ready to use

(* Caution : DO NOT OVERTIGHTEN

In any correspondence regarding this product, please include the complete Butler identification number located on the underside of the product.

We hope this product will be a useful and decorative addition to your home for years to come

Copyright© Butler Specialty Company, 11 / 20