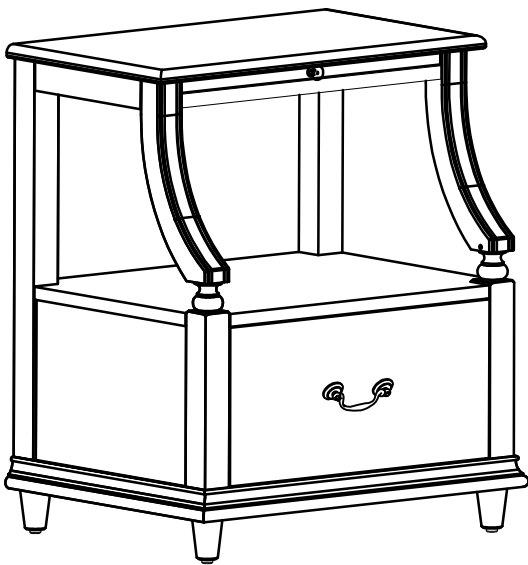


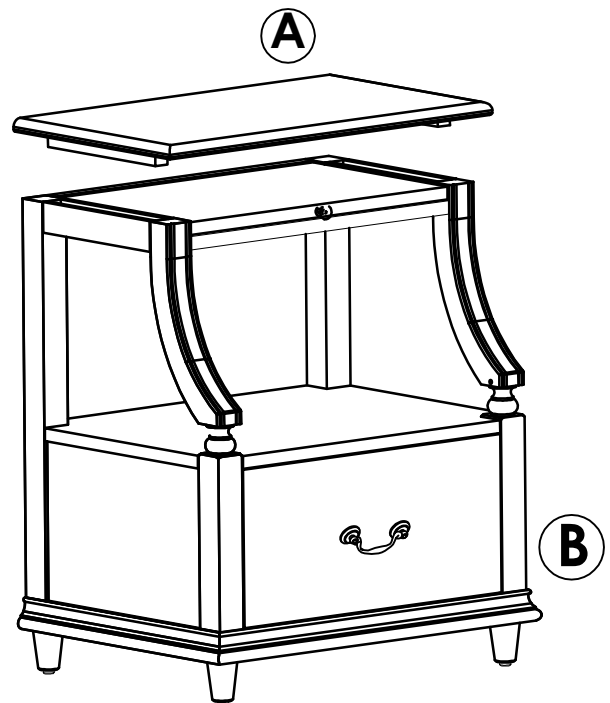
BUTLER

SPECIALTY COMPANY
8200 SOUTH CHICAGO AVE. CHICAGO, IL 60617

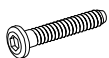
Assembly Instructions
5519329 & 5519288
Nightstand



ITEM	DESCRIPTION	QUANTITY
A	Table Top	1
B	Body	1



hardware



H1 x 4
bolts m6 x 30 mm



H2 x 4
flat washers



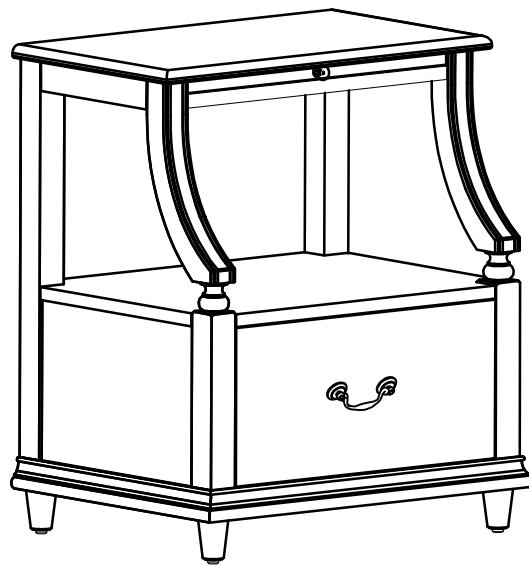
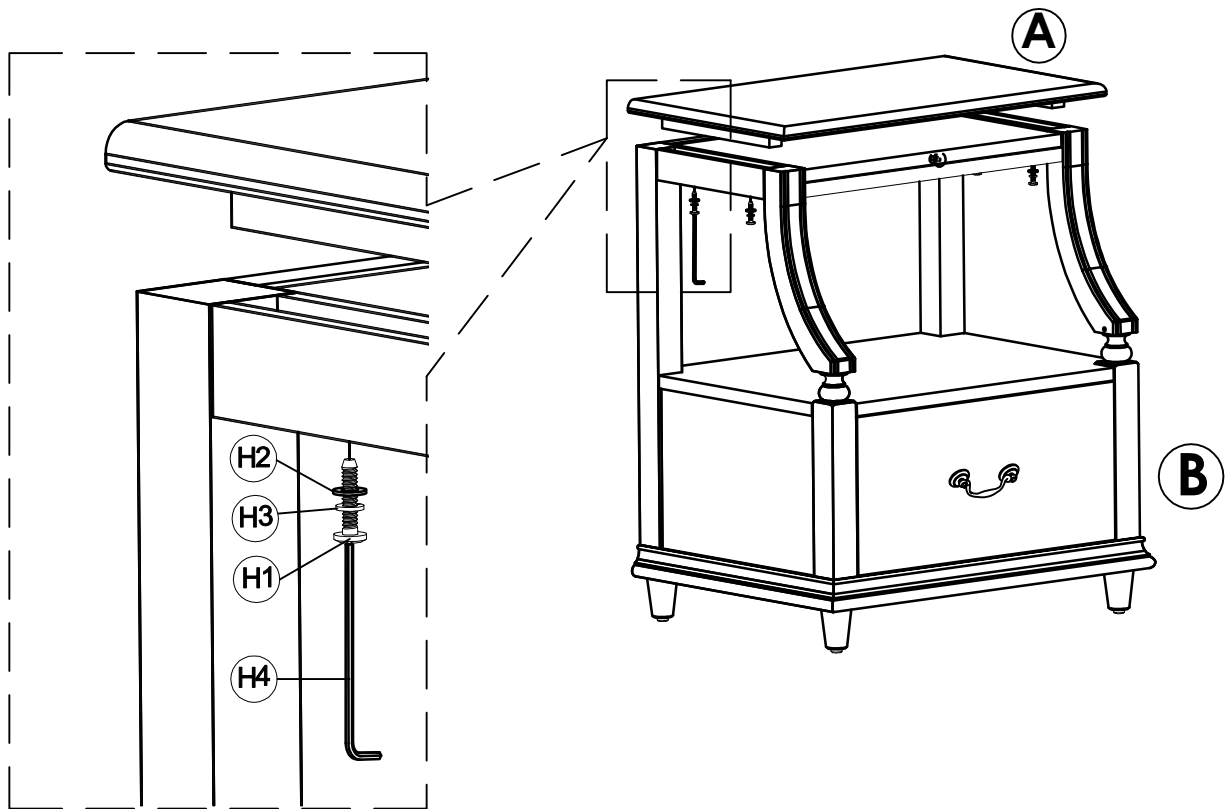
H3 x 4
spring washers



H4 x 1
Allen key #4

STEP

Attach Table Top (A) to Body (B) then secure with the bolts (H1) , Flat Washers (H2) and Spring Washers (H3) . Tighten the bolts (H1) with provided Allen Key (H4)



Congratulations

Assembly complete, Your Night Stand is ready to use

(*) Caution : DO NOT OVERTIGHTEN

In any correspondence regarding this product, please include the complete Butler identification number located on the underside of the product.

We hope this product will be a useful and decorative addition to your home for years to come

Copyright© Butler Specialty Company, 7 / 20