

BUTLER

SPECIALTY COMPANY
8200 S SOUTH CHICAGO AVE. CHICAGO, IL 60617

Assembly Instructions

5519329 & 5519288

Nightstand

PACKAGED

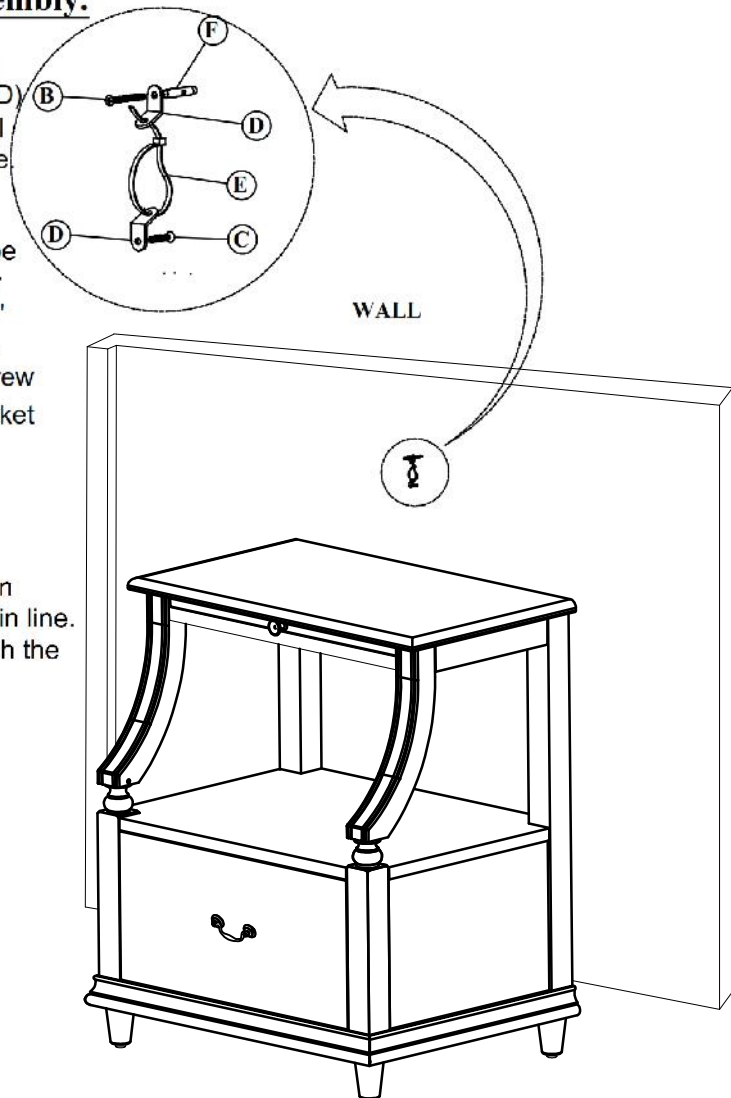
- | | |
|--------------------|-----------------------------|
| (A) 1- SIDEBOARD | (D) 2- "L" Bracket |
| (B) 1- Screw 8x1½" | (E) 1- Cable Tie |
| (C) 1- Screw 6x¾" | (F) 1- Plastic Screw Anchor |

Read all instruction before starting assembly.

Step #1 Make a hole at the wall. Fix the plastic screw anchor (F), attach a "L" bracket (D) fix it and securely to the back of the wall using screw (B) through the smaller hole.

Step #2 Determine where the Nightstand is to be placed and mark location on the wall for the bracket screw hole approximately 2" below the bracket mounted to the edge. Position the "L" bracket (D) and use Screw 8x1½" (B) to securely attach the "L" bracket to the wall.

Step #3 Place the Nightstand into upright position so both mounting bracket are vertically in line. Lace the end of the Cable tie (E) through the large hole in each "L" bracket (D). Confirm that cable tie (E) is securely laced and locked.



(*) Caution : DO NOT OVERTIGHTEN.

In any correspondence regarding this product, please include the complete Butler identification number located on the underside of the product.

We hope this product will be a useful and decorative addition to your home for years to come.

Copyright © Butler Specialty Company, 08/20