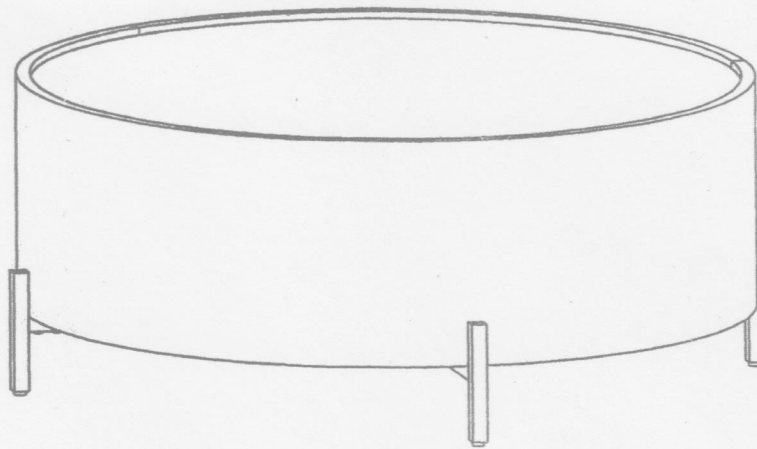
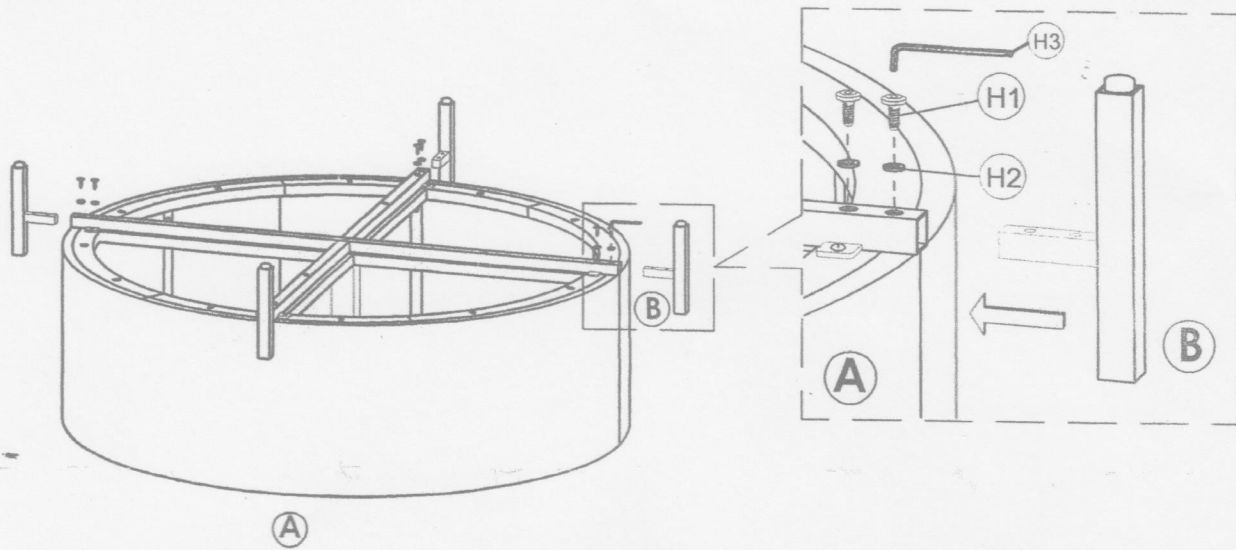


Lay the Body (A) up side down. Attach Leg (B) to Body (A) then secure with the bolts (H1) , and Spring Washers (H2) . Tighten the bolts (H1) with provided Allen Key (H3)



**Congratulations**

Assembly complete, Your Coffee Table is ready to use

(\*) Caution : DO NOT OVERTIGHTEN

In any correspondence regarding this product, please include the complete Butler identification number located on the underside of the product.

We hope this product will be a useful and decorative addition to your home for years to come