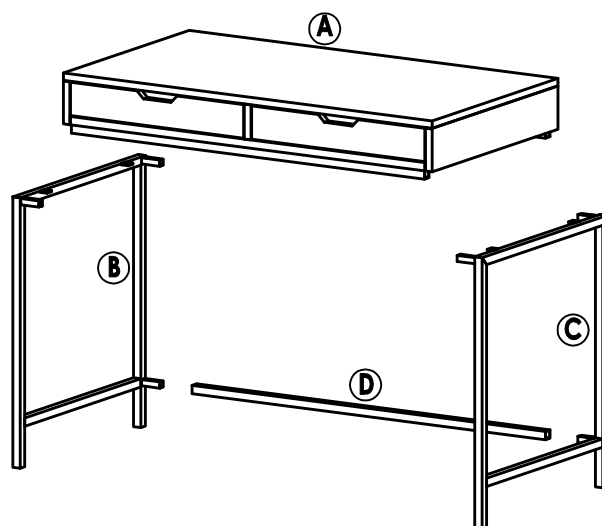
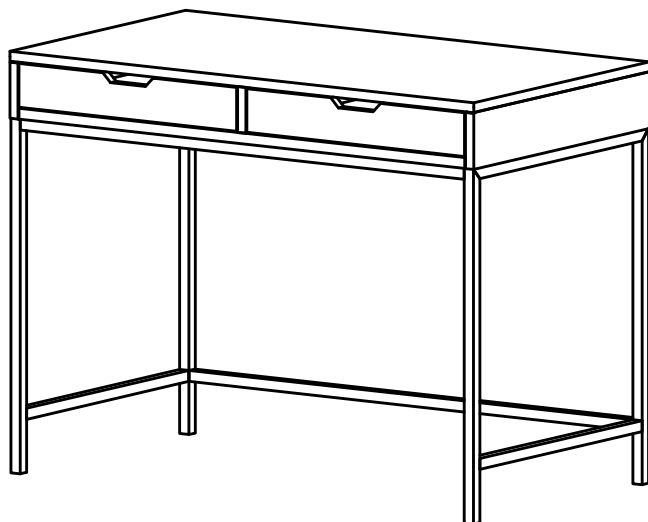


BUTLER

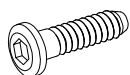
Assembly Instructions
5466415, 5466295, 5466304
Desk

SPECIALTY COMPANY
8200 SOUTH CHICAGO AVE. CHICAGO, IL 60617



ITEM	DESCRIPTION	QUANTITY
A	Table Top	1
B	Left Leg	1
C	Right Leg	1
D	Stretcher	1

hardware



H1 x 16
Bolts m6x15mm



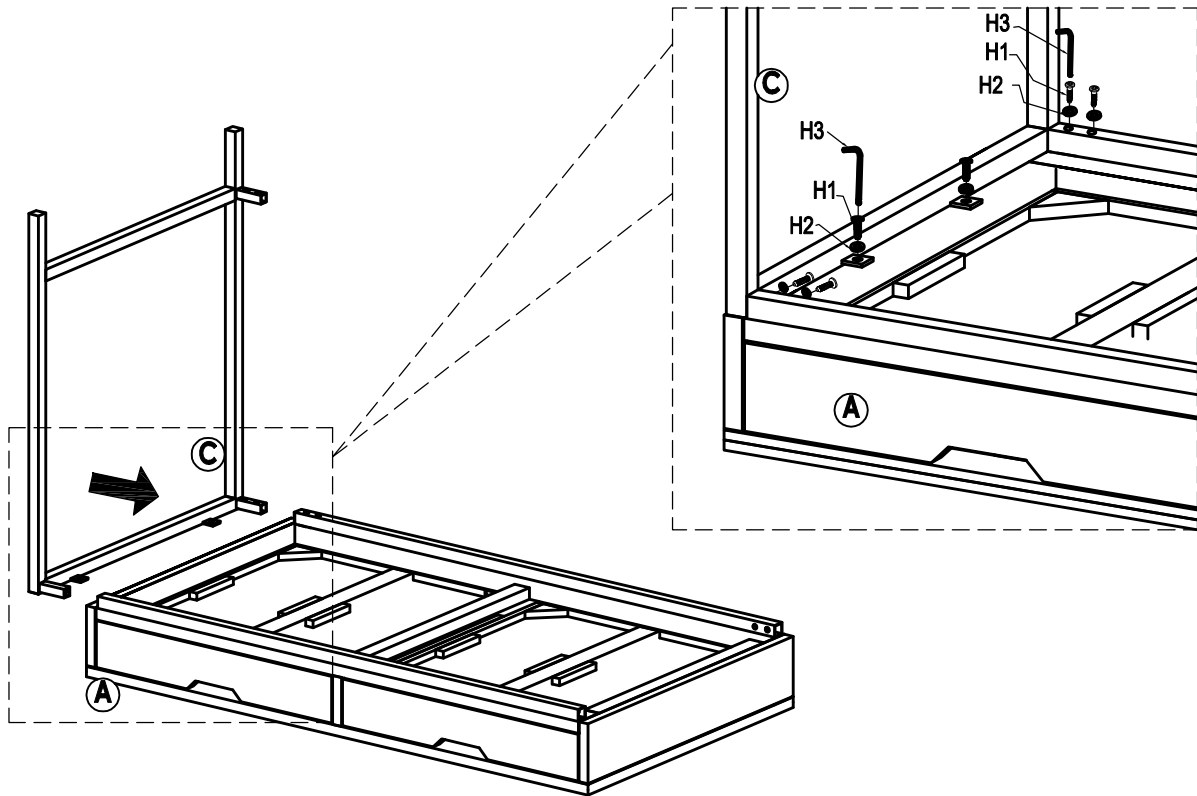
H2 x 16
Spring Washers m6



H3 x 1
Allen Key m4

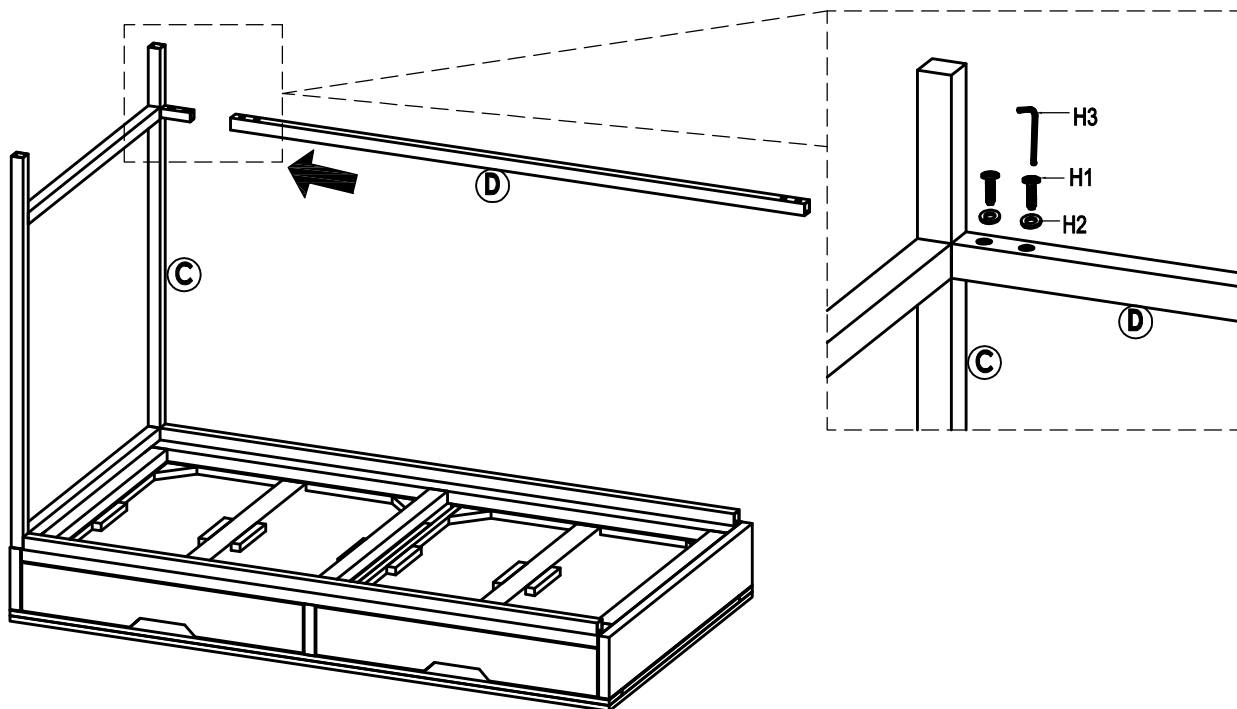
STEP 1

Lay the Table Top (A) up side down, attach the Right Leg (C) to the Table Top (A) then secure with using bolts (H1) and Spring Washer (H2) . Do Not Fully tighten all bolts yet.



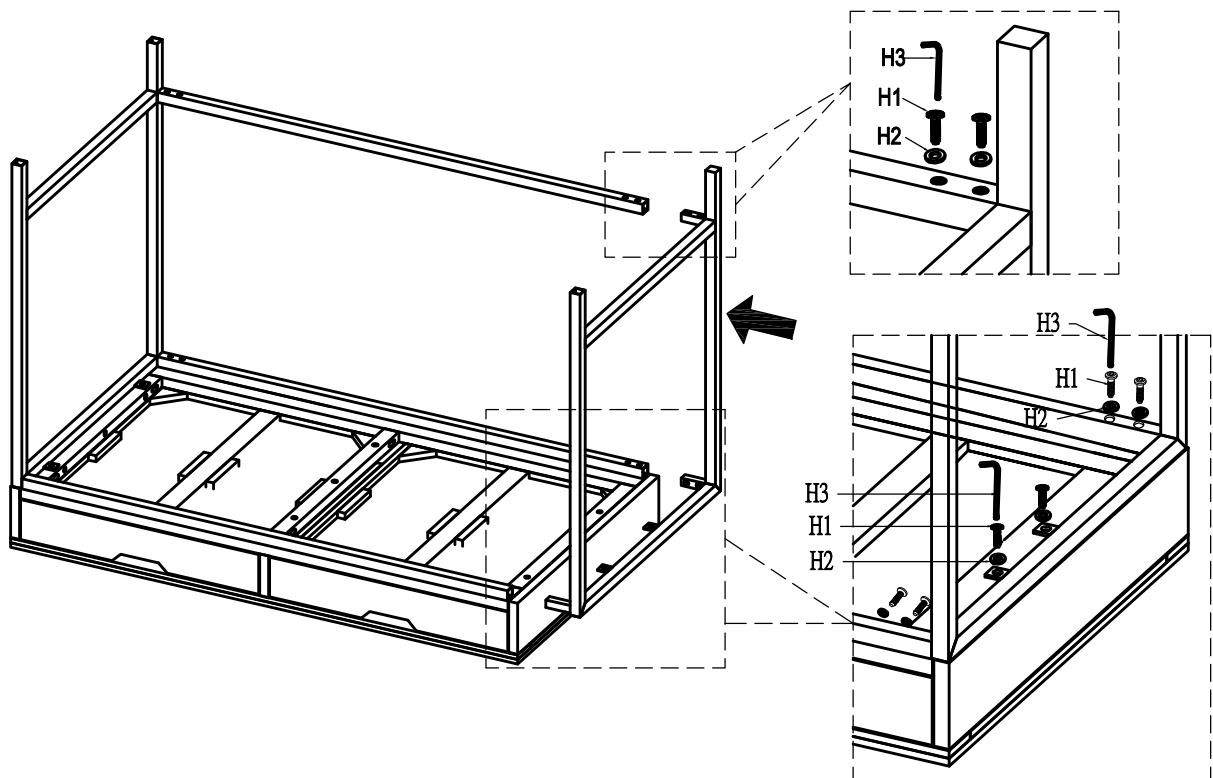
STEP 2

Attach Stretcher (D) to Right Leg (C) . Secure Stretcher (D) with Bolts (H1) and Spring Washer (H2) . Do not fully tighten all bolts yet.



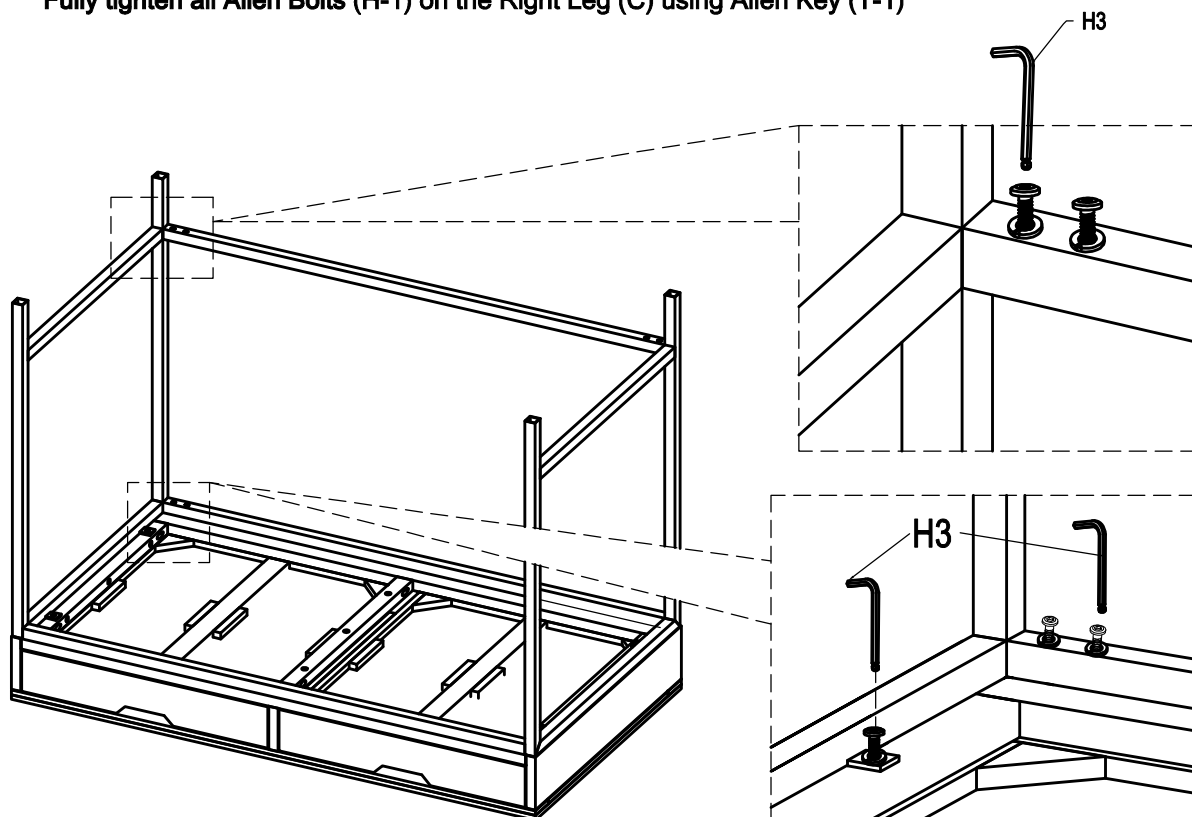
STEP 3

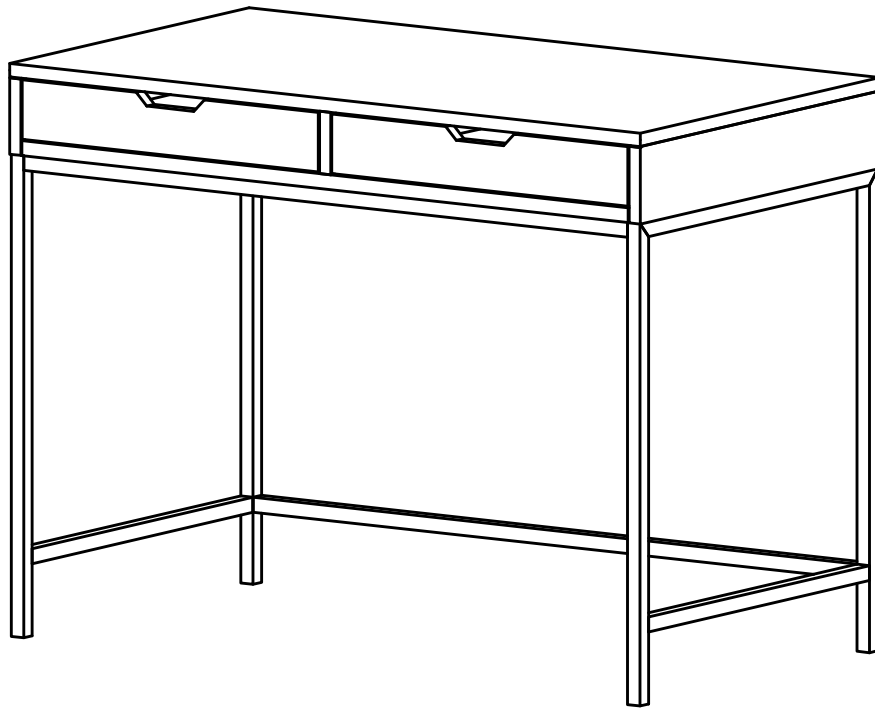
Attach the Left Leg (B) to the Table Top (A) and Stretcher (D). Secure the Left Leg (B) with Bolts (H1) and Spring Washer (H2). Fully tighten all bolts using Allen Key (H3).



STEP 4

Fully tighten all Allen Bolts (H-1) on the Right Leg (C) using Allen Key (T-1)





Congratulations

Assembly complete, Your Desk is ready to use

(*) Caution : DO NOT OVERTIGHTEN

In any correspondence regarding this product, please include the complete Butler identification number located on the underside of the product.

We hope this product will be a useful and decorative addition to your home for years to come

Copyright© Butler Specialty Company, 10 / 20