

BUTLER

Assembly Instructions
Style Number 5408335

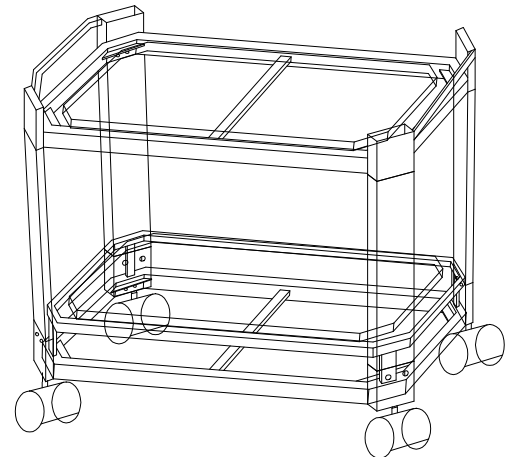
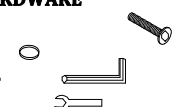
SPECIALTY COMPANY

8200 SOUTH CHICAGO AVE. CHICAGO, IL 60617

PACKAGE
(A) (1) x Serving Cart

HARDWARE

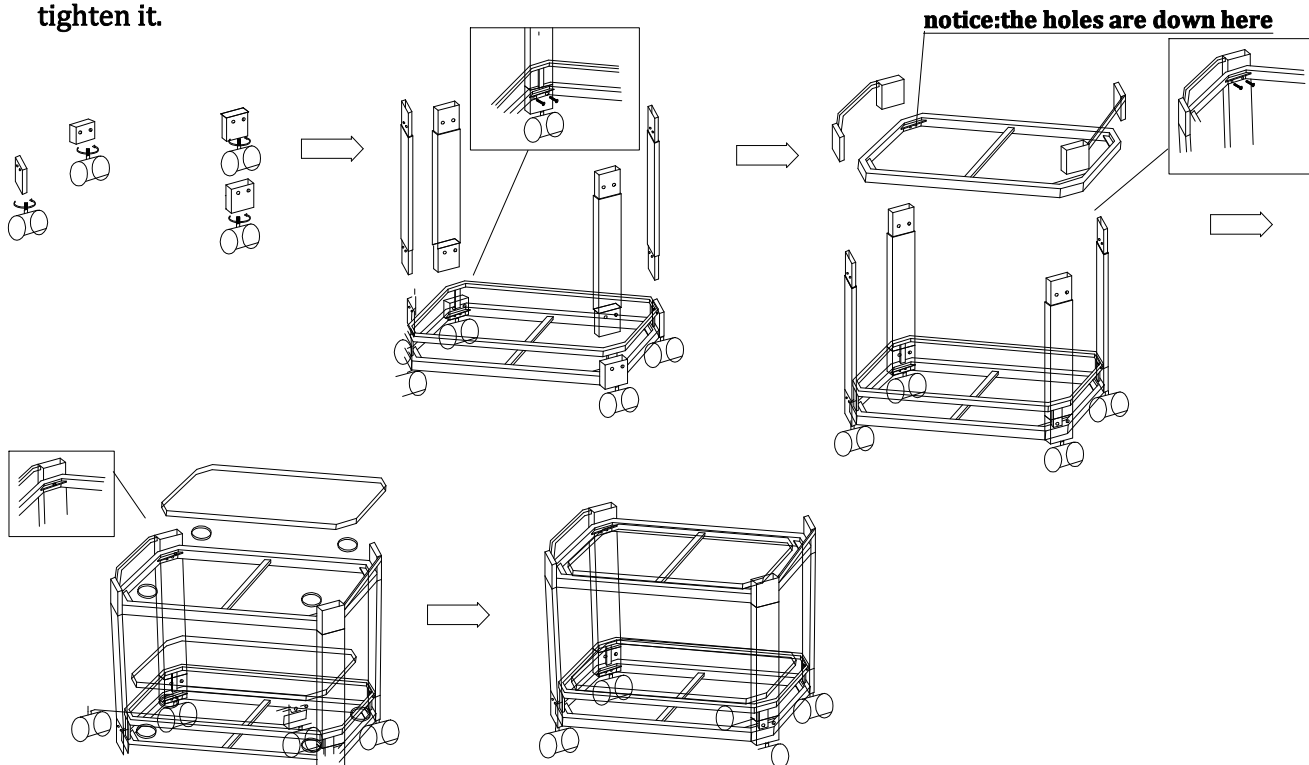
- (H1) 16-Screw
- (H2) (8) x Clear Pad
- (H3) (1) x screw driver
- (H4) (1) x wrench



Read all instructions before starting assembly.

Step#1 Assemble the wheels to the bottom frame and turn to tighten, and then use wrench(H4) to secure./Step#2 Assemble the acrylic legs to the bottom metal frame,use screw(H1)to secure.

Step#3 Insert the handles into the top metal frame,use screw (H1)to secure./Step#4 Stick the clear pad (H2) onto the metal frame(4 pad on top and 4 pad on bottom),and then carefully put the mirror on./Step#5 Securely tighten all the screws with screw driver (H3) but do not over tighten it.



(* Caution: Do NOT OVER TIGHTEN.

In any correspondence regarding this product, please include the complete Butler identification number located on the underside of the product.

We hope this will be a useful and decorative addition to your home for years to come.

Copyright © Butler Specialty Company, 10/04