

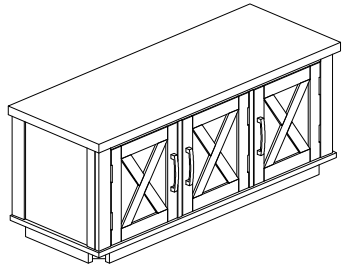
ASSEMBLY INSTRUCTION

5388XXX BUFFET SERVER DRK WOOD

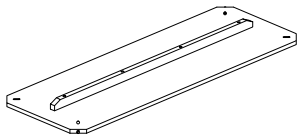
PART LIST

DO NOT FULLY TIGHTEN SCREWS AND NUTS UNTIL THE ENTIRE ITEM IS COMPLETELY ASSEMBLED

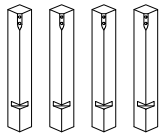
A Server top (1pc)



B Shelf (1pc)



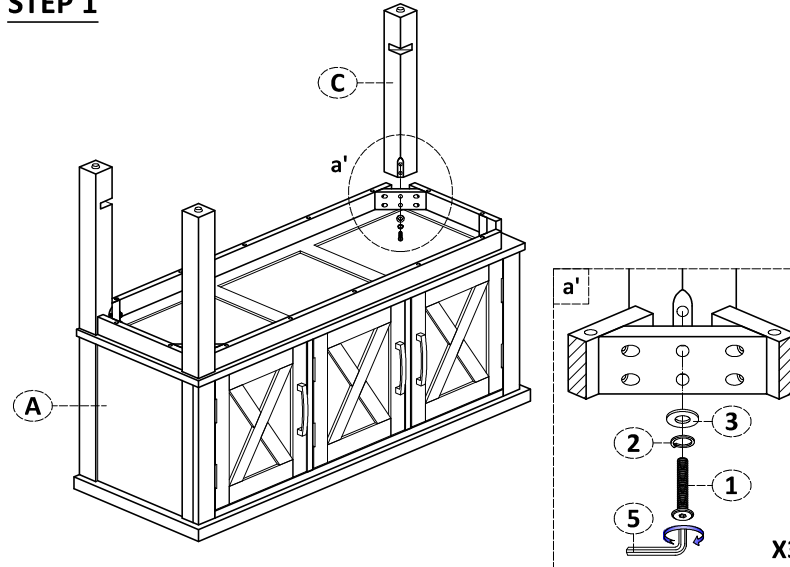
C Legs (4pcs)



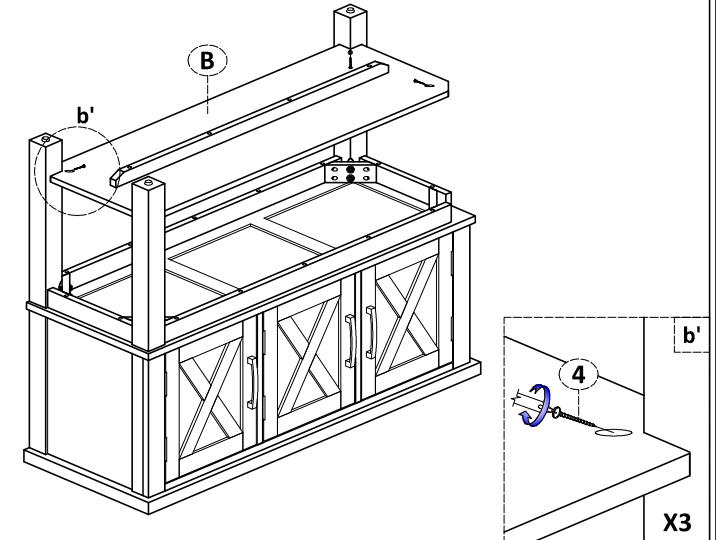
HARDWARE LIST

1	Bolt	2	Spring Washer	3	Washer
	1/4" x 60mm (8 pcs)		5/16" (8 pcs)		5/16" (8 pcs)
4	Screw	5	Allen Key	6	Anti tip kit
	1/8" x 38mm (4 pcs)		(1 pc)		(1 set)

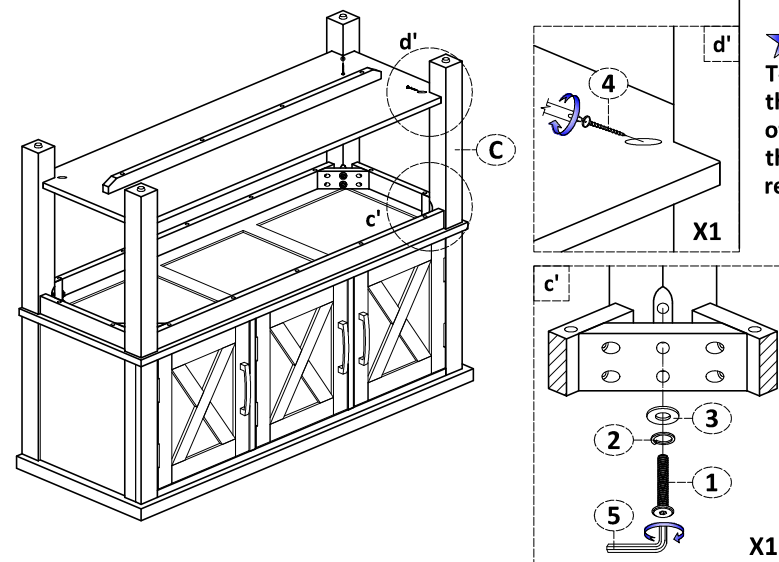
STEP 1



STEP 2



STEP 3



COMPLETE

★ PLEASE NOTE:
To help prevent
the possibility
of tip-over,
install the
tip over
restraint provided.

