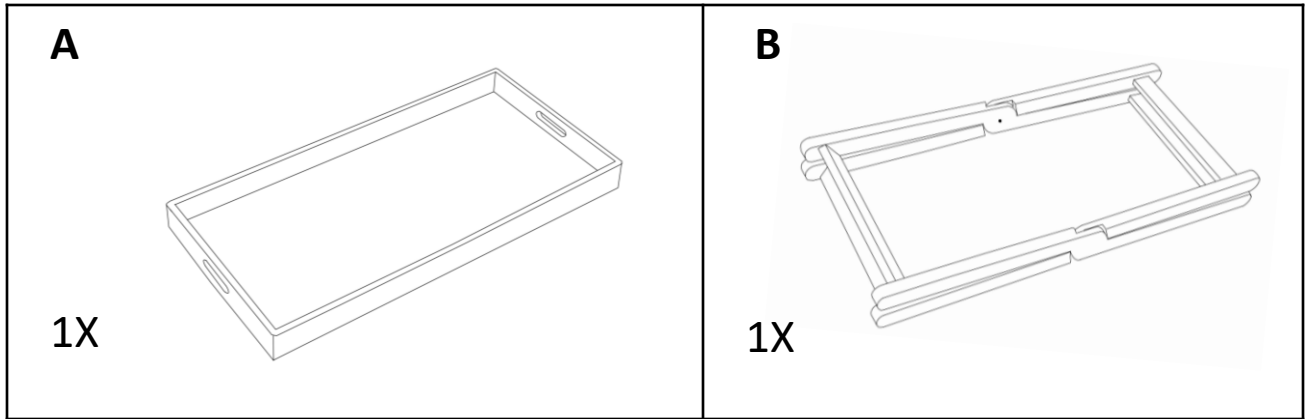
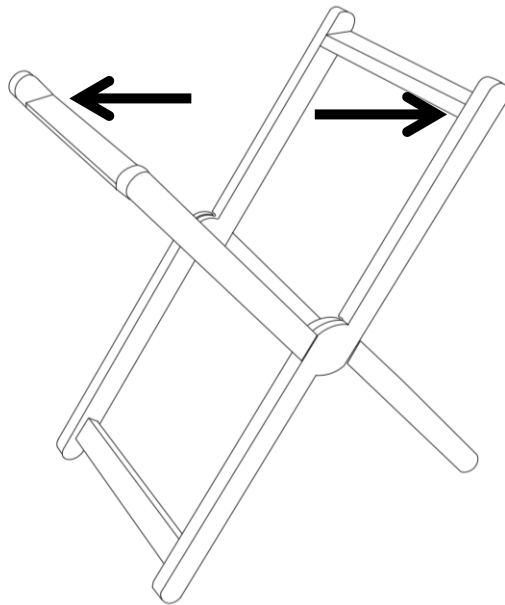


ASSEMBLY INSTRUCTION



1. OPEN THE BASE "B", AS SHOWN



2. PLACE THE TRAY ON THE BASE

