

BUTLER

Assembly Instructions
Style Number 5357350

SPECIALTY COMPANY
8200 SOUTH CHICAGO AVE. CHICAGO, IL 60617

PACKAGED

- (A) 1 - Bench
- (B) 4 - Legs

Read all instructions before starting assembly.

Step #1 Assemble the bench upside down on a flat, plain and soft surface.

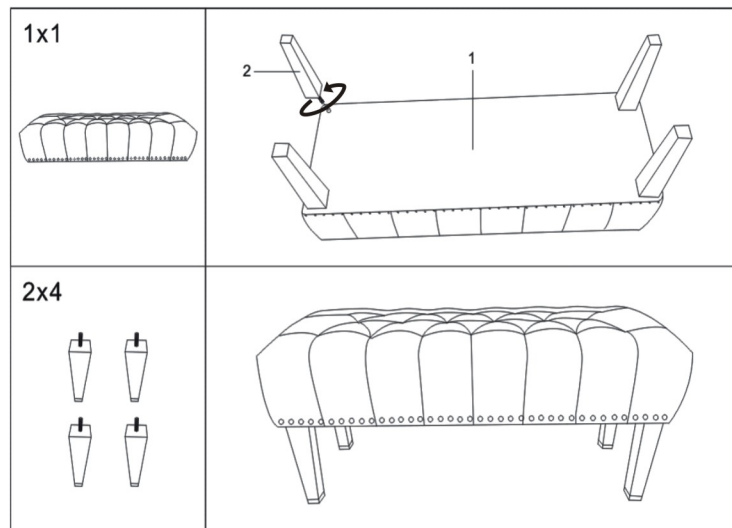
Step #2 Take out the legs inside the bottom pocket.

Step #3 Attach the legs and turn to tighten.

Step #4 keep this instruction for future reference

Step #5 Dispose packing materials properly

Step #6 Dispose packing materials properly.



(*) Caution: DO NOT OVERTIGHTEN.

In any correspondence regarding this product, please include the complete Butler identification number located on the underside of the product.

We hope this will be a useful and decorative addition to your home for years to come.

Copyright © Butler Specialty Company, 10/04