

BUTLER

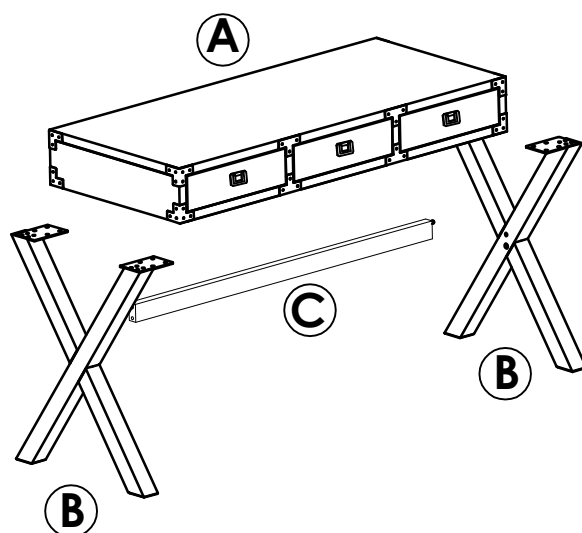
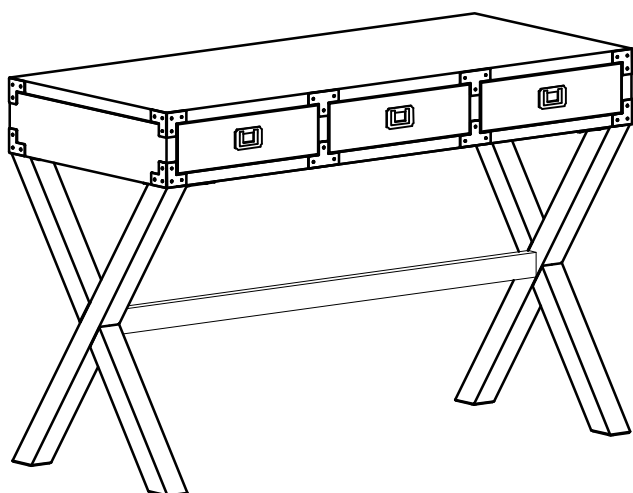
SPECIALTY COMPANY

8200 SOUTH CHICAGO AVE. CHICAGO, IL 60617

Assembly Instructions

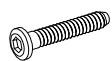
5255288 & 5255291

Vienne Campaign Desk



ITEM	DESCRIPTION	QUANTITY
A	Table Top	1
B	Leg	2
C	Stretcher	1

hardware



H1 x 2
bolts m6 x 45mm



H2 x 16
bolts m6 x 20mm



H3 x 2
flat washers Ø13



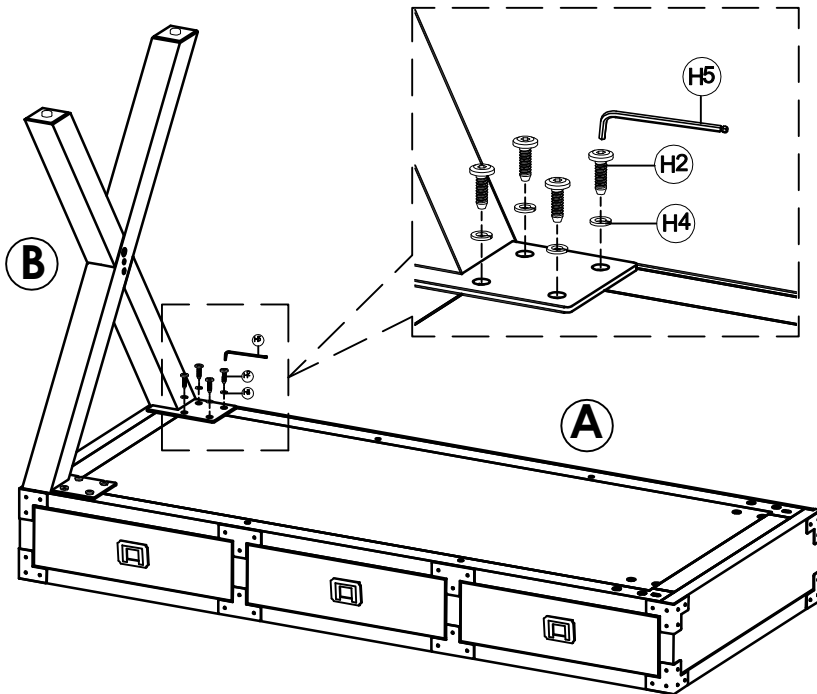
H4 x 18
spring washers Ø13



H5 x 1
Allen key #4

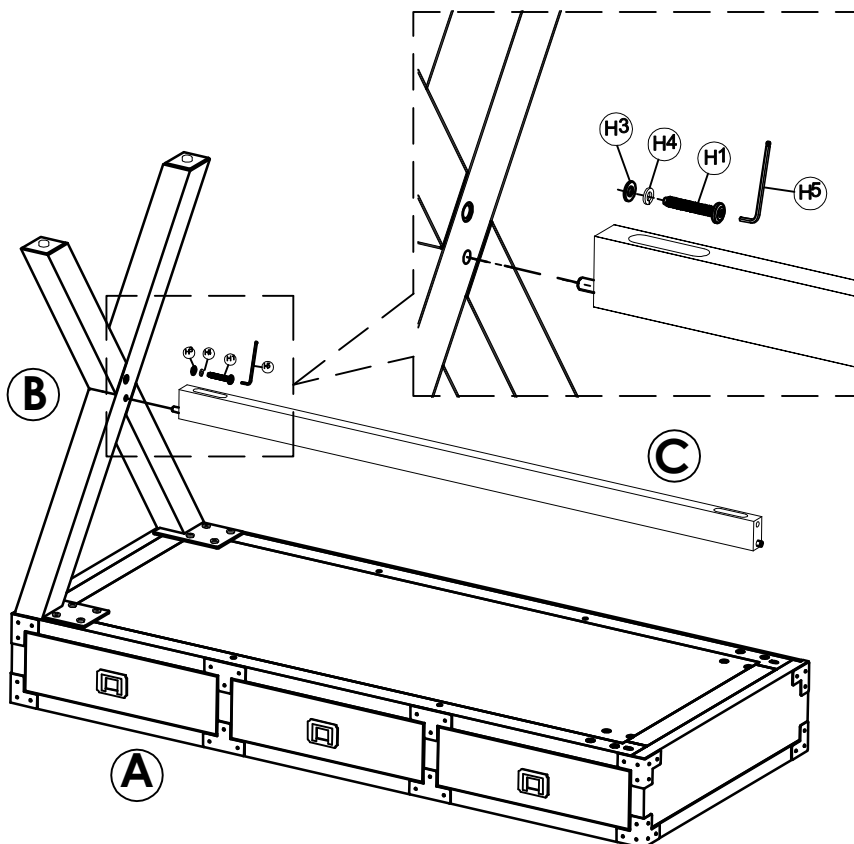
STEP 1

Lay the Table Top (A) Upside down , Attach the Leg (B) onto Table Top (A) then secure the Leg (B) using Bolts (H2) , and Spring Washer (H4) . Half tighten the Bolts (H2) with supplied Allen Key (H5)



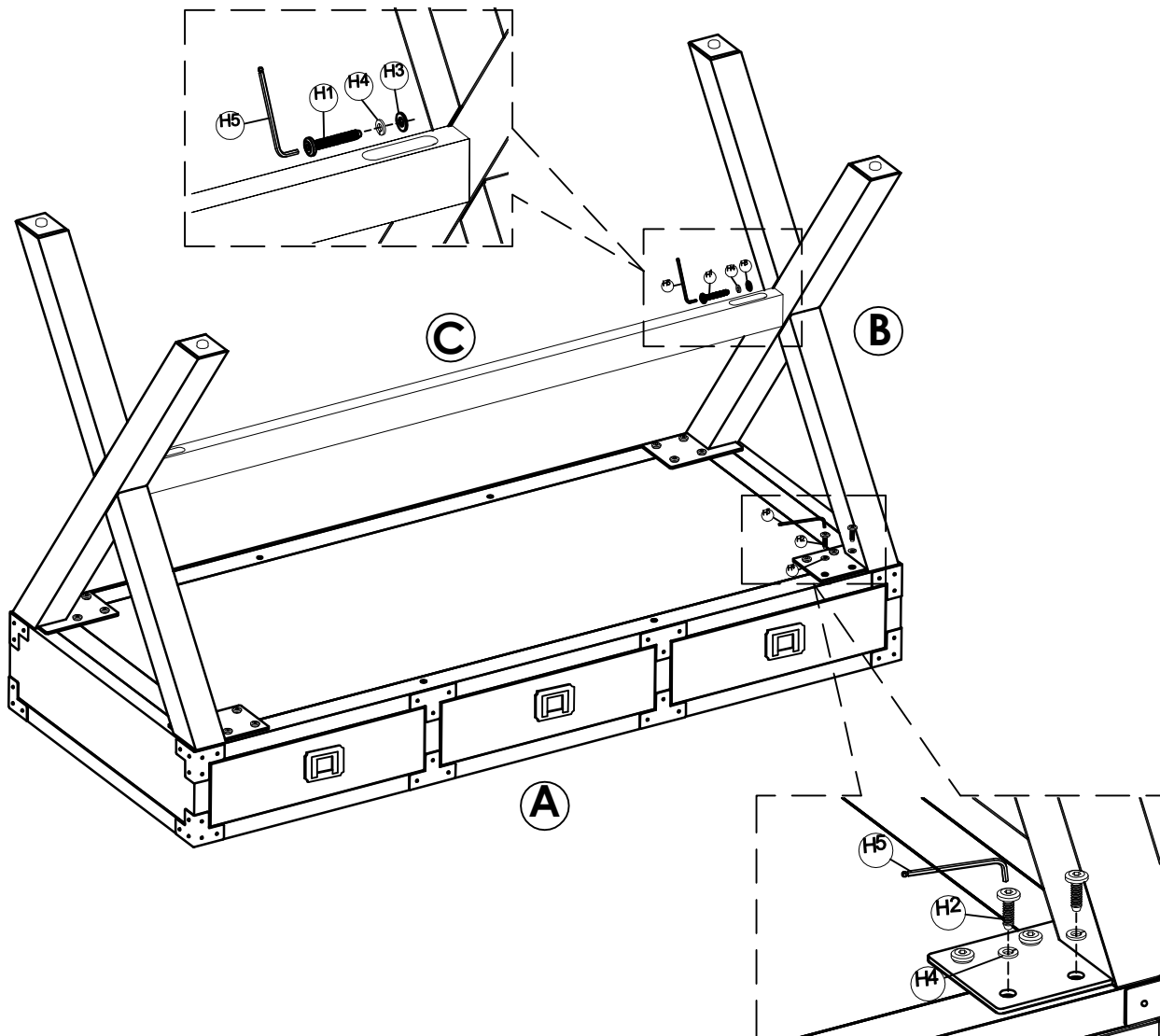
STEP 2

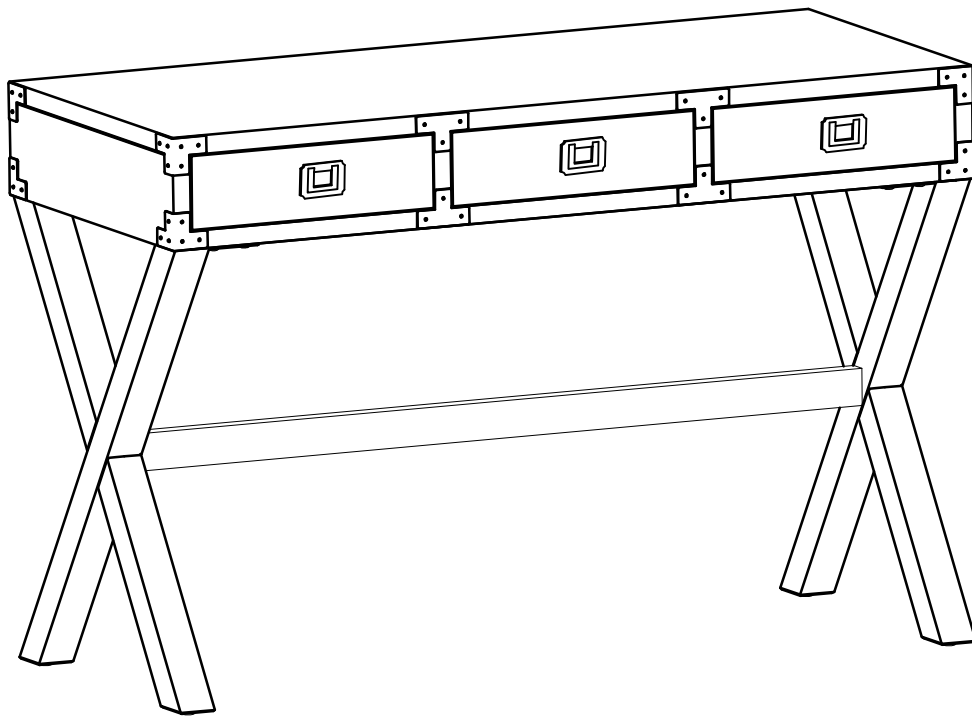
Attach the Strecher (C) to the Leg (B) ,then lines up dowel to corresponding holes on the Leg (B) , then secure with Bolts (H1) ,Flat Washer (H3) and spring Washer (H4) Half tighten the Bolts (H2) with supplied Allen Key (H5)



STEP 3

Attach the Leg (B) to the Strecher (C) then lines up dowels to corresponding holes on the Leg (B), then secure Stretcher (C) using Bolts (H1), Flat Washer (H3), Spring Washer (H4) then Secure the Leg (B) to the Top Table using Bolts (H2), Flat Washer (H3) and Spring Washer (H4). Fully tighten all the Bolts (H1 & H2) on both Legs with supplied Allen Key (H5)





Congratulations

Assembly complete, Your Vienne Campaign Desk is ready to use

(*) Caution : DO NOT OVERTIGHTEN

In any correspondence regarding this product, please include the complete Butler identification number located on the underside of the product.

We hope this product will be a useful and decorative addition to your home for years to come

Copyright© Butler Specialty Company, 12 / 20