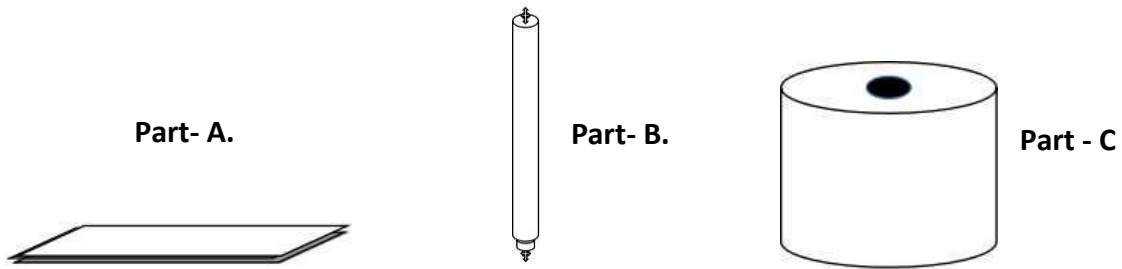
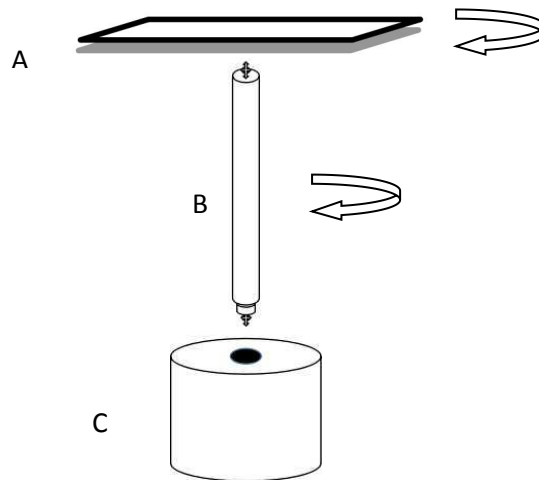


ASSEMBLY INSTRUCTIONS



Step – 1: After unpacking of the Side table you will find the above parts to fix the table with the help of two persons.



Step – 2: Place the part C on the flat surface floor with the help of two persons and align the Part B with the hole of Part C, now tighten the part B clock wise on the base C, after this align the hole of top Part A on the part B screw and loosely move the top clock wise direction (as per shown above round circle), now fully tighten the top on the base and fix.

Step- 3: Finally piece is ready to serve you (Assembled), ENJOY!

