

BUTLER

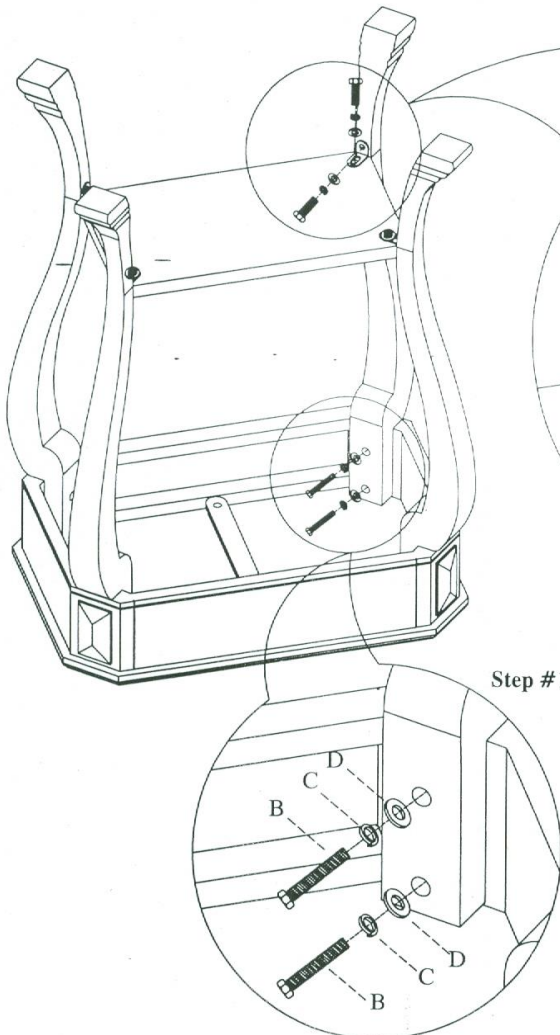
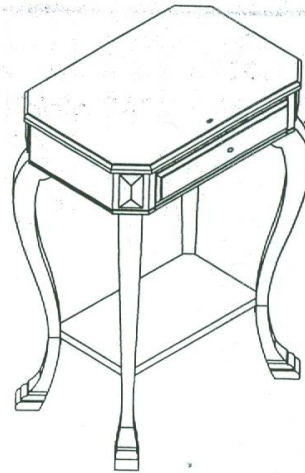
Assembly Instructions
Style Number 5021

SPECIALTY COMPANY

8200 SOUTH CHICAGO AVE., CHICAGO, IL 60617

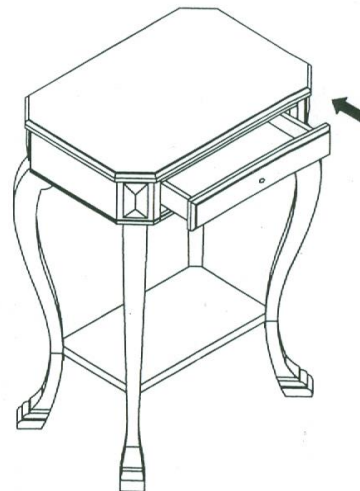
PACKAGED

- | | | |
|-----|----------------|----------------|
| (A) | 4- L Bracket | 32*18*22mm |
| (B) | 8- Bolt | diam5/16"*2" |
| (C) | 8- Lock Washer | diam5/16" |
| (D) | 8- Flat Washer | diam5/16"*19mm |
| (E) | 8- Bolt | diam1/4"*5/8" |
| (F) | 8- Flat Washer | diam1/4" |
| (G) | 8- Flat Washer | diam1/4"*19mm |



Step #2

Step #1



(*)Caution:DO NOT OVERTIGHTEN

In any correspondence regarding this product, please include the complete Butler identification number located on the underside of the product.

We hope this Console Table will be a useful and decorative addition to your home for years to come.

COPYRIGHT © BUTLER SPECIALTY COMPANY, 10/08