





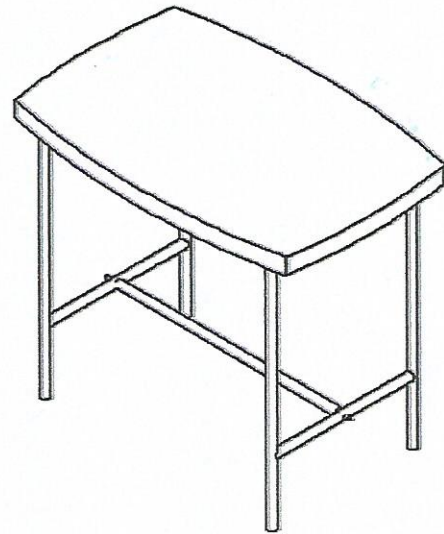
# BUTLER

Assembly Instructions  
4476035  
PUB TABLE

SPECIALTY COMPANY  
8200 SOUTH CHICAGO AVE. CHICAGO, IL 60617

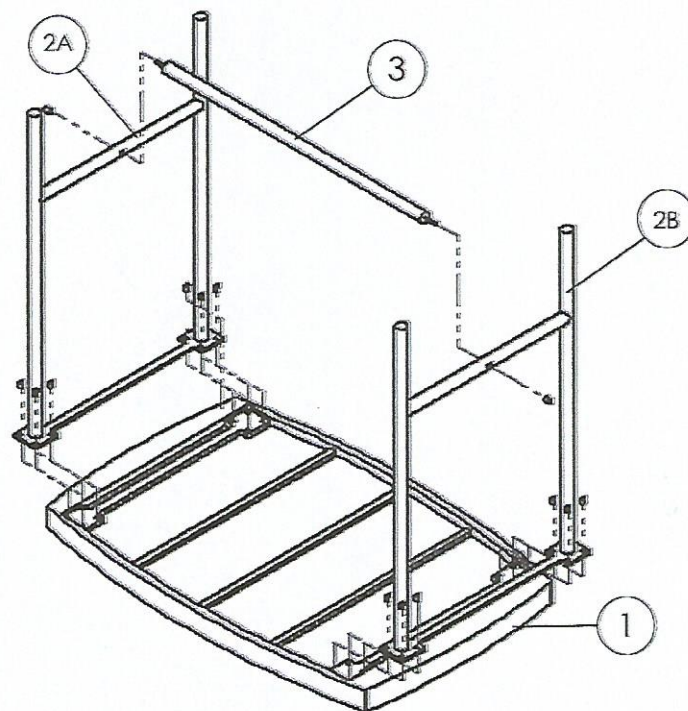
ITEM	DESCRIPTION	QUANTITY
1	Top	1
2	Leg	2
3	Leg Support	1

ITEM	DESCRIPTION	QUANTITY
	Bolt	16
	Spring Washer	16
	Nut Cap	2
	Thin Wrench	1



## STEP

- Attach legs (2A) to the top of the table (1), insert bolt and spring washer to the pre-drilled holes and tighten using the thin wrench.
- Put leg support (3) into the pre-drilled on the leg part (2A and 2B).
- Attach the last leg part (2B) to the top of the table (1), insert bolt and spring washer to the pre-drilled holes and tighten using the thin wrench.
- Put the nut cap to tighten the leg support.



### [\*] CAUTION : DO NOT OVERTIGHTEN.

In any correspondence regarding this product, please include the complete Butler identification number located on the under-side of the product.

We hope this product will be a useful and decorative addition to your home for years to come.