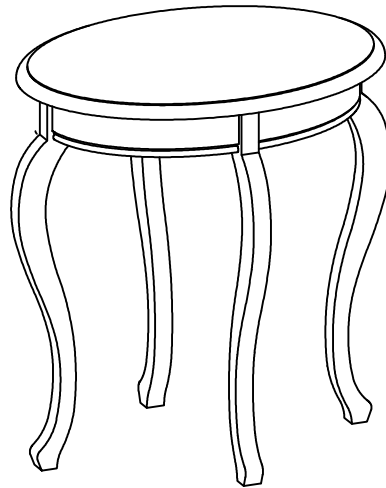


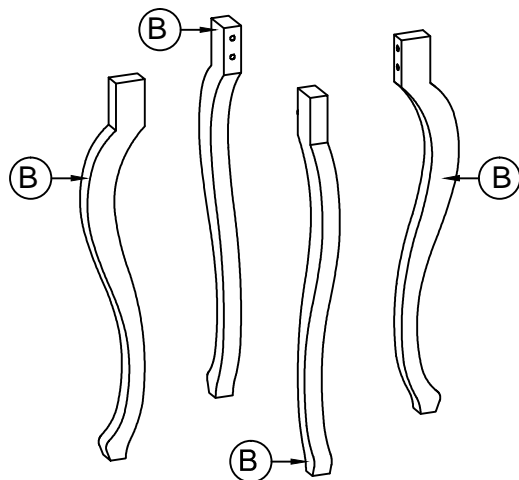
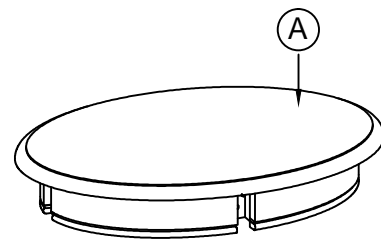
BUTLER

Assembly Instructions
4432406
END TABLE

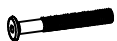
SPECIALTY COMPANY
8200 S SOUTH CHICAGO AVE. CHICAGO IL 60617



ITEM	DESCRIPTION	QUANTITY
A	Top	1
B	Legs	4



hardware



© H1 x 8
bolt M6 x 40mm



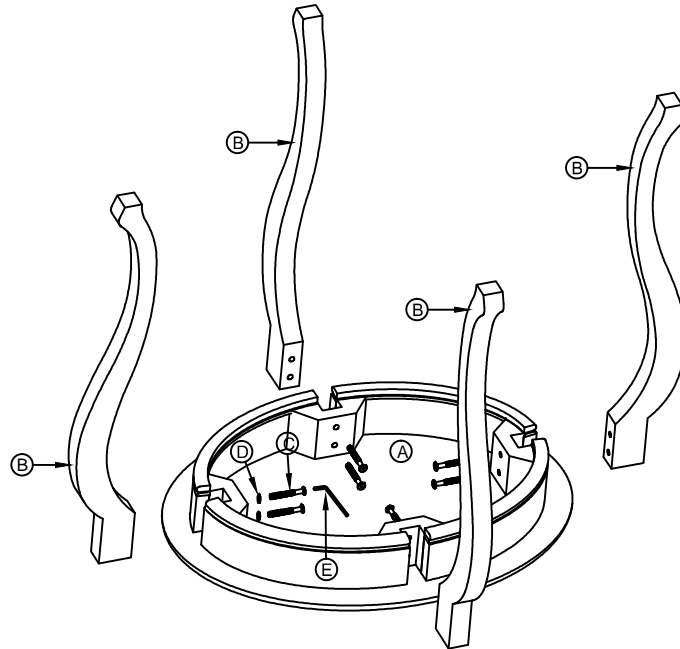
Ⓓ H2 x 8
flat washers



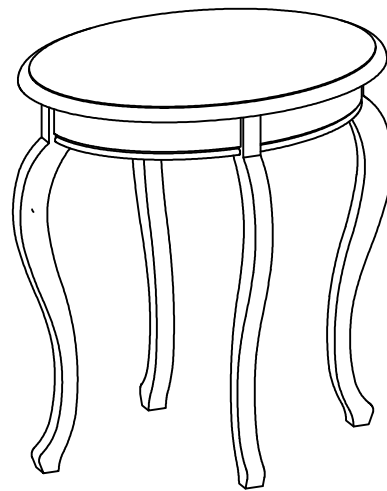
Ⓔ H3 x 1
hex key #4

step 1

Attach legs (B) to the top table (A), insert bolt (C), flat washer (D) to the pre-drilled holes and tighten the using the allen key (E)



Congratulation
Assembly complete, your End Table is ready to use



(*) Caution : **DO NOT OVERTIGHTEN**

In any correspondence regarding this product, please include the complete Butler identification number located on the underside of the product.

We hope this product will be a useful and decorative addition to your home for years to come.

Copyright© Butler Specialty Company, 02 / 18