

Assembly Instruction

Required Tool :



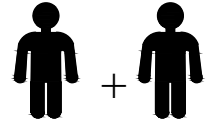
8 X Bolts



1 x Wrench



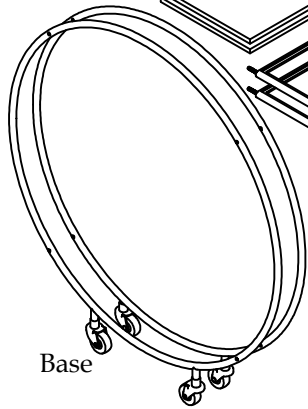
10 Min.



PARTS

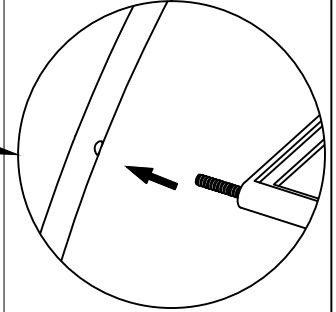
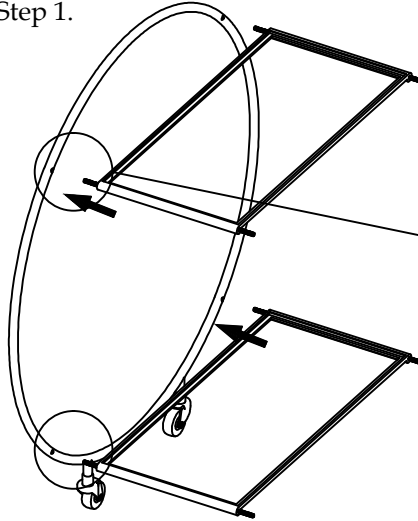
Marbal slabs shelves

shelves base

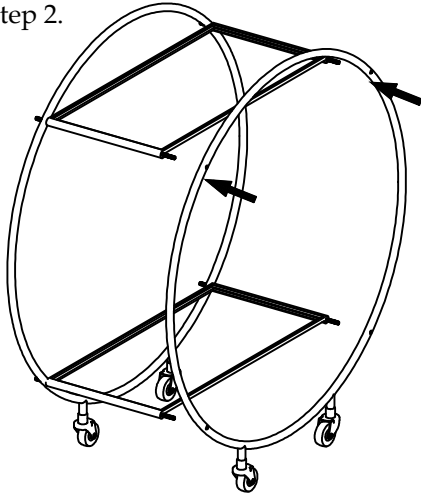


Base

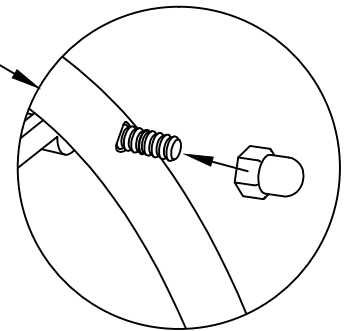
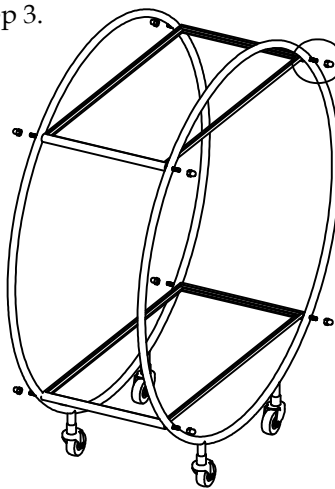
Step 1.



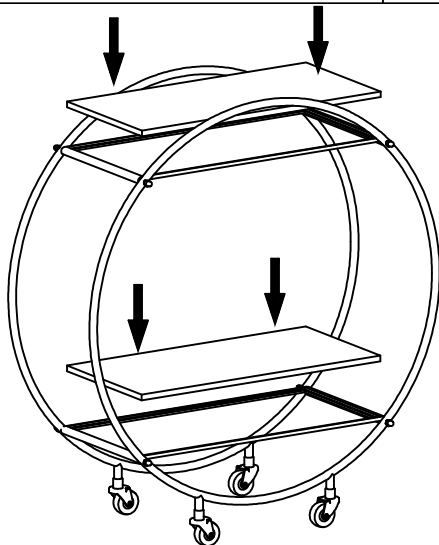
Step 2.



Step 3.



Step 4.



Finish

