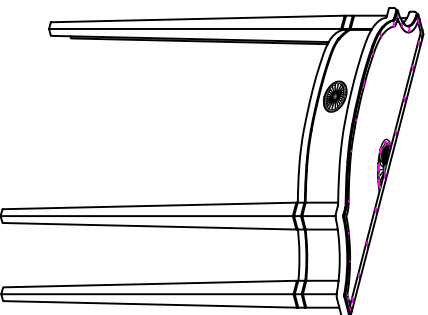


BUTLER

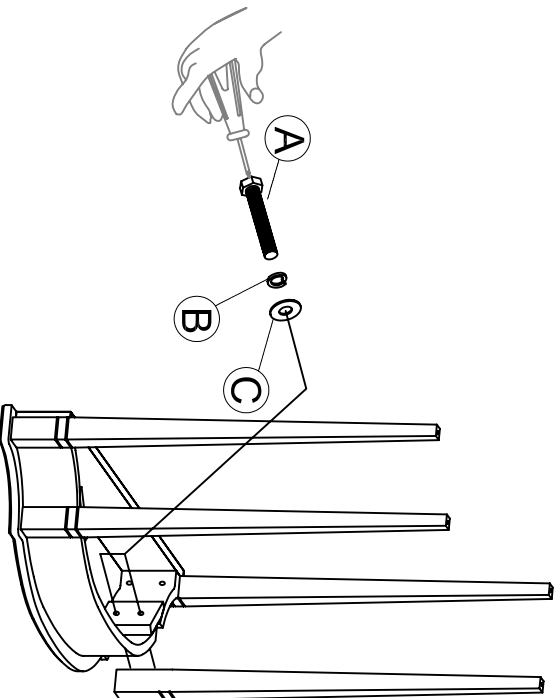
*Assembly Instructions
Style Number 4116*

SPECIALTY COMPANY
8200 SOUTH CHICAGO AVE., CHICAGO, ILL 60617



PACKAGED

- (A) 8- Bolt
- (B) 8- Lock Washer
- (C) 8- Flat Washer



(***Caution: DO NOT OVERTIGHTEN**)

In any correspondence regarding this product, please include the complete Butler identification number located on the underside of the product.

We hope this Wall Curior will be a useful and decorative addition to your home for years to come.

COPYRIGHT BUTLER SPECIALTY COMPANY, 09/2011