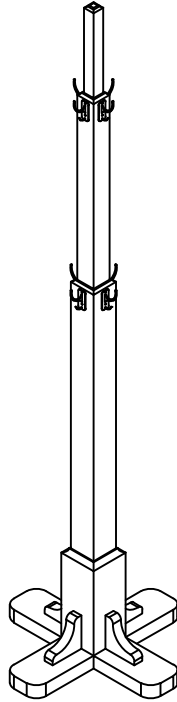


# BUTLER

Assembly Instructions  
4114108/4114111/4114247/4114011  
COAT RACK

SPECIALTY COMPANY  
8200 SOUTH CHICAGO AVE. CHICAGO, IL 60617



ITEM	DESCRIPTION	QUANTITY
------	-------------	----------

A	top pole	1
B	middle pole	1
C	bottom	2

## hardware



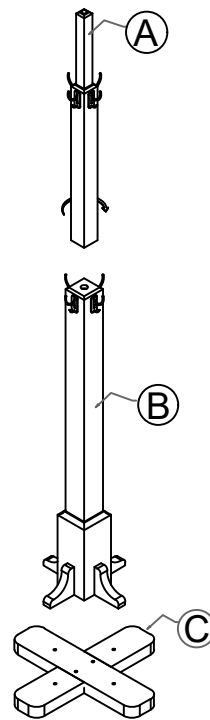
H1 x 6  
bolts M6 x 50mm



H2 x 6  
flat washers

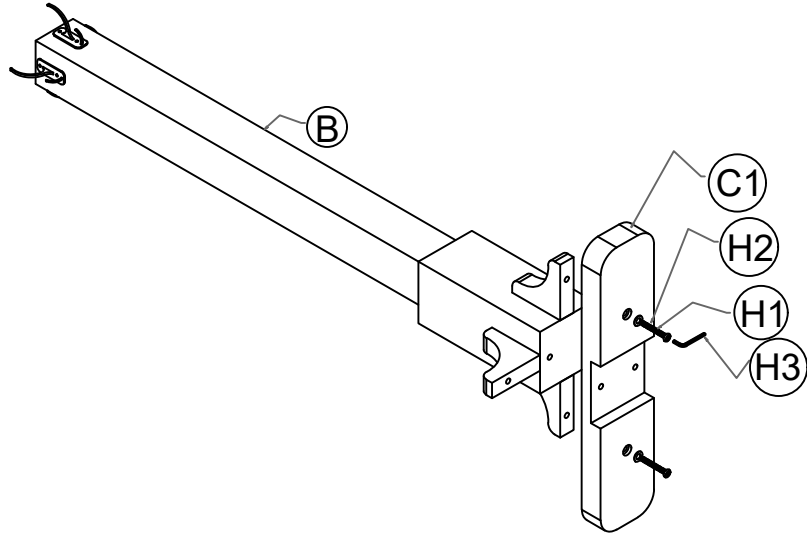


H3 x 1  
hex key #4



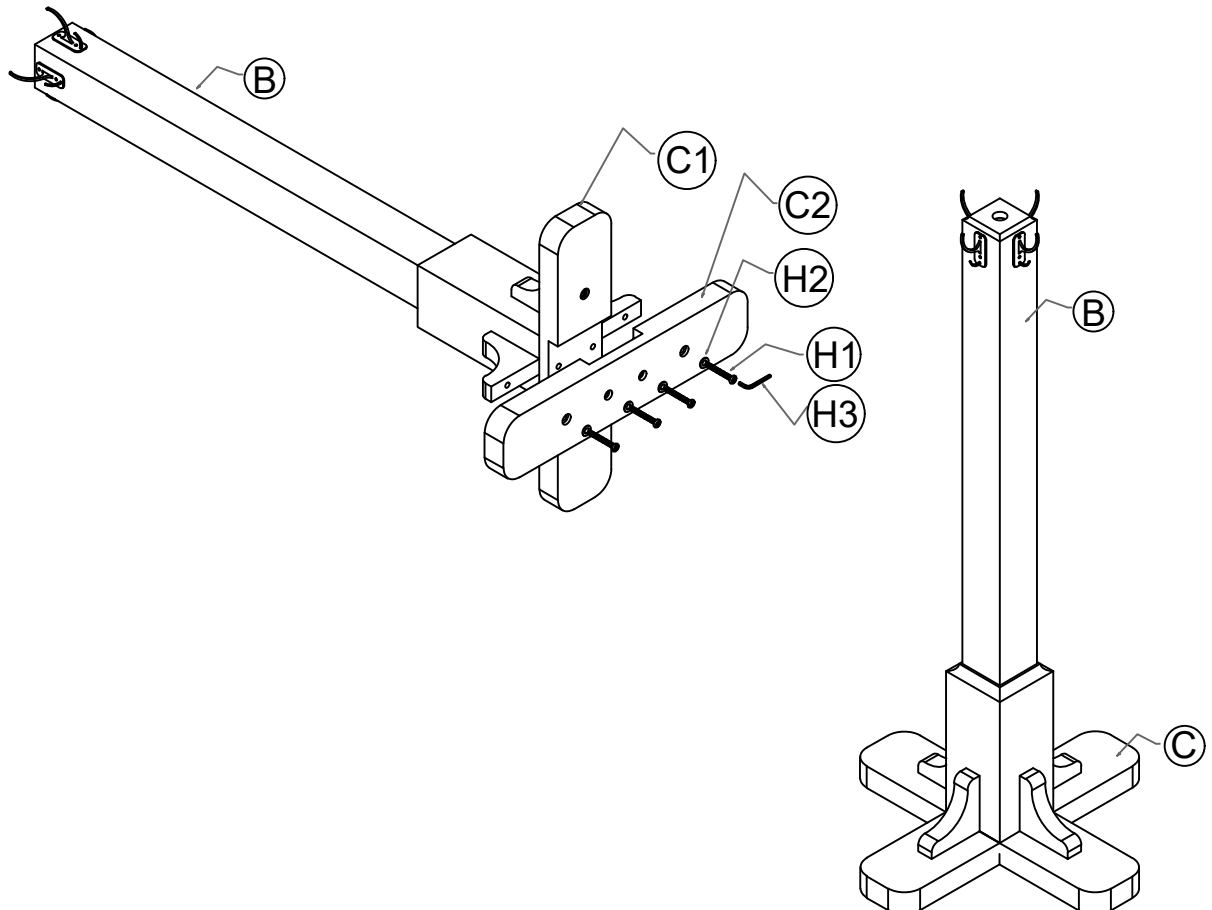
## step 1

Attach the middle pole (B) to the bottom (C1), insert bolt (H1), flat washer (H2) to the pre-drilled holes and tighten the using the allen key (H3)



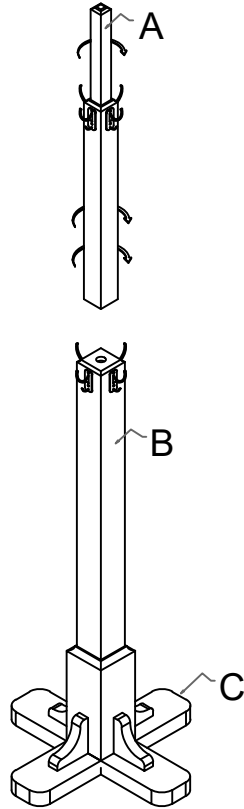
## step 2

Attach bottom (C2) to (C1) by inserting bolt (H1) & flat washer (H2) to the pre-drilled holes and tighten the using the allen key (H3)



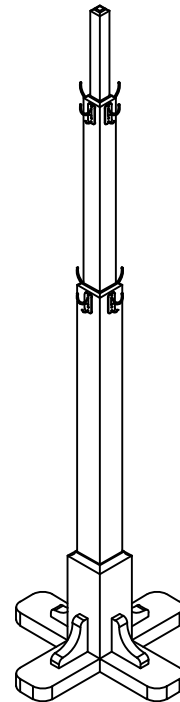
## step 3

Attach pole top (A) to the middle pole (B) then turn clockwise to fastened



Congratulation

Assembly complete, your Coat rack is ready to use.



(\*) Caution : DO NOT OVERTIGHTEN.

In any correspondence regarding this product, please include the complete Butler identification number located on the underside of the product.

We hope this product will be a useful and decorative addition to your home for years to come.

Copyright © Butler Specialty Company, 07 / 18